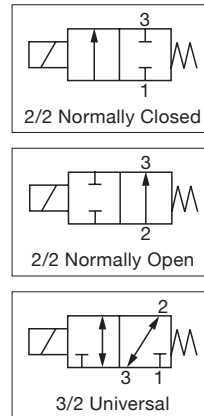


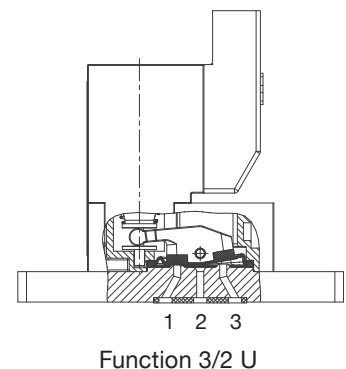
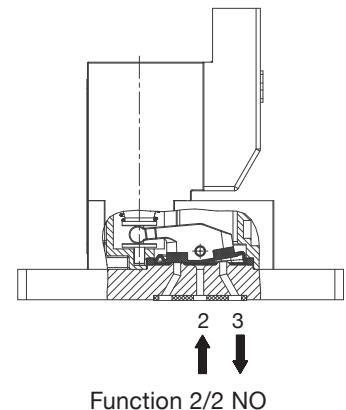
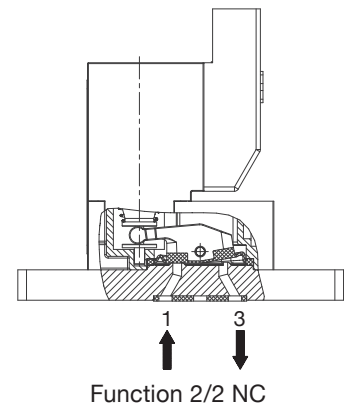
ASCO™ MINIATURE SOLENOID VALVES

ROCKER SOLENOID FLUID ISOLATION VALVES

- Rocker isolation valves are designed for use with neutral or highly aggressive liquids in analytical instrumentation
- Special rocker mechanism, combined with a separating diaphragm, prevents heat transfer to the fluid and eliminates the sticking effect of the valve seat
- Hermetic separation of control mechanism prevents particulate contamination caused by friction of moving parts, assuring maximum purity of liquid samples
- Excellent self-draining capability and easy-to-flush low-volume internal cavity make these valves ideal in applications where cross-contamination must be minimized
- “Hit and Hold” feature utilizes an integrated power-save switch that reduces analytical instrument power consumption
- Meets all relevant CE directives, and is RoHS compliant
- Typical applications include:
 - Pipette Dispensing
 - In-vitro Diagnostics
 - DNA Sequencing
 - Surgical Fluid Management



Functional Principle



Fluids*	Temperature Range	Seal Materials*
Liquids or Gases	10 °C to 40 °C (50 °F to 104 °F)	FKM/FFKM
	5 °C to 40 °C (41 °F to 104 °F)	EPDM

*Ensure that the compatibility of the materials in contact with the fluids is verified.

General Valve Information	
Body	PEEK
Others	Stainless Steel
Response Time	< 10ms
Internal Volume	10µl
Max. Viscosity	20 cSt (mm ² /s)

Electrical Characteristics	
Coil Insulation Class	F
Connector	Pin Header with 2 Contacts
Electrical Safety	EN 60335
Electrical Enclosure Protection	IP65 (EN 60529)
Standard Voltages*	12 VDC, 24 VDC (-5%/+10%)

* Other voltages on request

Coil Type ¹	Power Rating	Ambient Temperature Range	Protection	Electrical Connection
	Inrush/Holding			
	W	°C (°F)	VA	
Specific	2.5/1.0*	10 to 50 (50 to 122)	IP40	Connector with two 0.5mm ² lead wires + built-in LED and electrical protection or lead wires, 0.5m (19.7in) long

* With power-save electronics

¹ The coil used for orifice size 1.35mm (0.053in) is longer by 12.5mm (0.49in) than that used for the other orifice sizes, see drawings on following pages

00191GB-2019-R01

Specifications										
Connection	Orifice Size	Flow Coefficient		Operating Pressure bar (psi)			Electrical Connection/Type*	Catalog Number	Seal Material ²	
				min.	max.				FKM	EPDM
	mm (inches)	Kv (m ³ /h)	Cv		gases	liquids				
2/2 NC - Normally Closed										
Long Flange ¹	0.6 (0.024)	0.006	0.007	-0.9 (-13)	3 (43.5)	3 (43.5)	1	SC S067A 021	V	E
							2	SC S067A 022		
							3	SC S067A 023		
							4	SC S067A 024		
							5	L S067A 025		
	0.8 (0.031)	0.010	0.012	-0.9 (-13)	2 (29.0)	2 (29.0)	1	SC S067A 026	V	E
							2	SC S067A 027		
							3	SC S067A 028		
							4	SC S067A 029		
							5	L S067A 030		
	1.0 (0.040)	0.017	0.020	-0.9 (-13)	1.5 (21.8)	1.5 (21.8)	1	SC S067A 031	V	E
							2	SC S067A 032		
							3	SC S067A 033		
							4	SC S067A 034		
							5	L S067A 035		
	1.35 (0.053)	0.026	0.030	-0.9 (-13)	1.0 (14.5)	1.0 (14.5)	1	SC S067A 036	V	E
2							SC S067A 037			
3							SC S067A 038			
4							SC S067A 039			
5							L S067A 040			
2/2 NO - Normally Open										
Long Flange ¹	0.6 (0.024)	0.006	0.007	-0.9 (-13)	3 (43.5)	3 (43.5)	1	SC S067A 061	V	E
							2	SC S067A 062		
							3	SC S067A 063		
							4	SC S067A 064		
							5	L S067A 065		
	0.8 (0.031)	0.010	0.012	-0.9 (-13)	2 (29.0)	2 (29.0)	1	SC S067A 066	V	E
							2	SC S067A 067		
							3	SC S067A 068		
							4	SC S067A 069		
							5	L S067A 070		
	1.0 (0.040)	0.017	0.020	-0.9 (-13)	1.5 (21.8)	1.5 (21.8)	1	SC S067A 071	V	E
							2	SC S067A 072		
							3	SC S067A 073		
							4	SC S067A 074		
							5	L S067A 075		
	1.35 (0.053)	0.026	0.030	-0.9 (-13)	1.0 (14.5)	1.0 (14.5)	1	SC S067A 076	V	E
2							SC S067A 077			
3							SC S067A 078			
4							SC S067A 079			
5							L S067A 080			
3/2 U-Universal										
Long Flange ¹	0.6 (0.024)	0.006	0.007	-0.9 (-13)	3 (43.5)	3 (43.5)	1	SC S067A 101	V	E
							2	SC S067A 102		
							3	SC S067A 103		
							4	SC S067A 104		
							5	L S067A 105		
	0.8 (0.031)	0.010	0.012	-0.9 (-13)	2 (29.0)	2 (29.0)	1	SC S067A 106	V	E
							2	SC S067A 107		
							3	SC S067A 108		
							4	SC S067A 109		
							5	L S067A 110		
	1.0 (0.040)	0.017	0.020	-0.9 (-13)	1.5 (21.8)	1.5 (21.8)	1	SC S067A 111	V	E
							2	SC S067A 112		
							3	SC S067A 113		
							4	SC S067A 114		
							5	L S067A 115		
	1.35 (0.053)	0.026	0.030	-0.9 (-13)	1.0 (14.5)	1.0 (14.5)	1	SC S067A 116	V	E
2							SC S067A 117			
3							SC S067A 118			
4							SC S067A 119			
5							L S067A 120			

* Types 1 to 5 with power-save electronics, LED and electrical protection, mm (inches)

- 1 = width: 5.08 (0.2)
- 2 = width: 5.08 (0.2)
- 3 = width: 2.54 (0.1)
- 4 = width: 2.54 (0.1)
- 5 = Flying Leads, 0.5 (19.7) long (see drawings on following page)

¹ 2 hexagon socket head cap mounting screws M3x6mm (0.24in), stainless steel, ISO4762 supplied

² To order FFKM seals, leave the corresponding designation in the catalog number "blank".

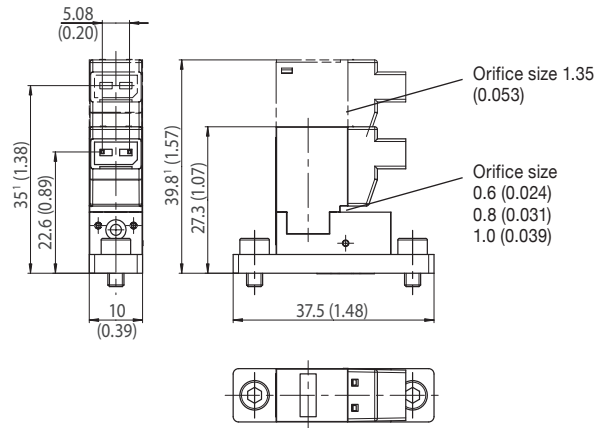
00191GB-2019-R01

ASCO™ MINIATURE SOLENOID VALVES

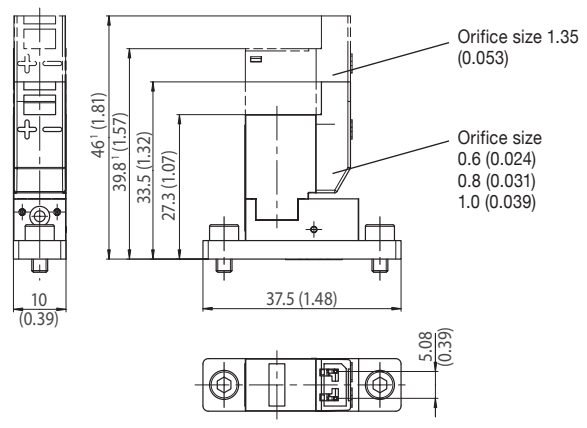
ROCKER SOLENOID FLUID ISOLATION VALVES

Dimensions: mm (inches)

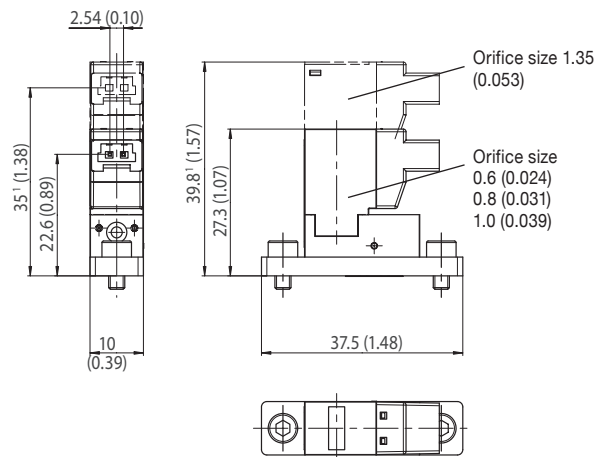
Type 1



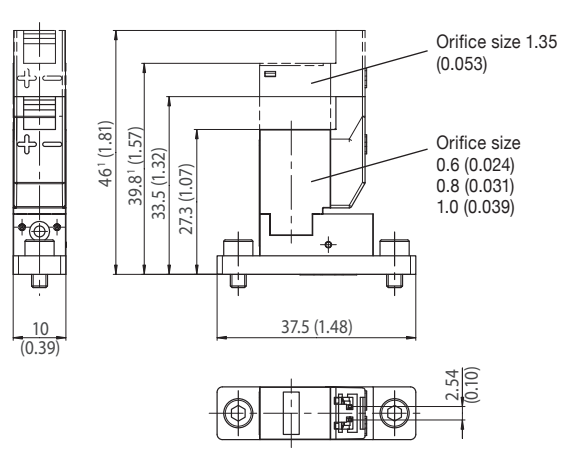
Type 2



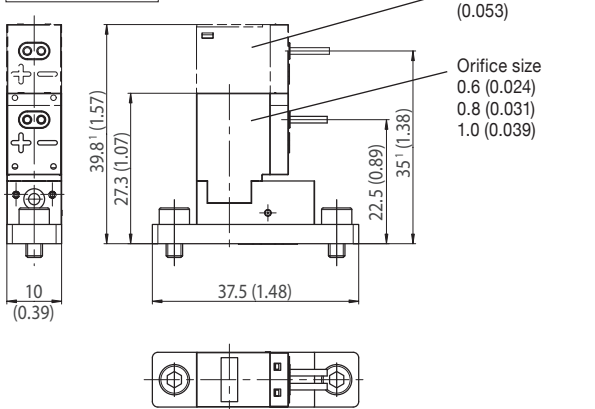
Type 3



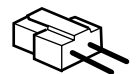
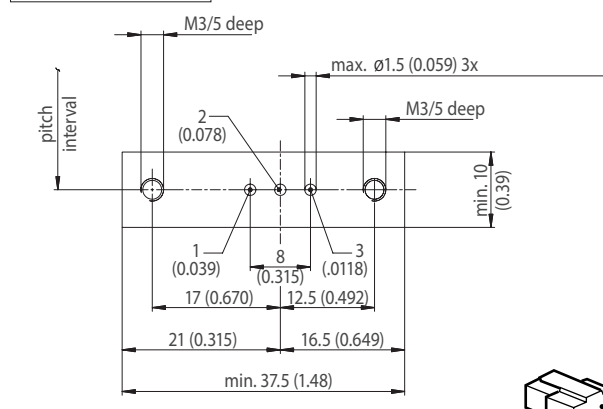
Type 4



Type 5



Mounting Pad



¹ The coil used for orifice size 1.35mm (0.053in) is longer by 12.5mm (0.492in) than that used for the other orifice sizes

NOTE: Connectors must be ordered separately, please specify the quantity and Catalog numbers required:

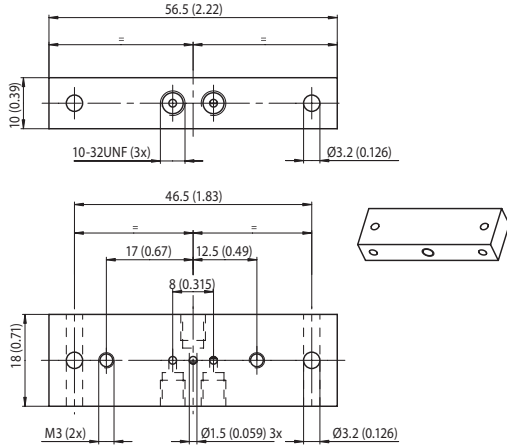
Pin spacing 5.08 (0.20)	0.5m (19.7in) long	Catalog number: 88118801	0.5m (19.7in) long	Catalog number: 88118806
	1.5m (59in) long	Catalog number: 88118802	1.5m (59in) long	Catalog number: 88118807
	3m (118in) long	Catalog number: 88118803	3m (118in) long	Catalog number: 88118808

00191GB-2019-R01

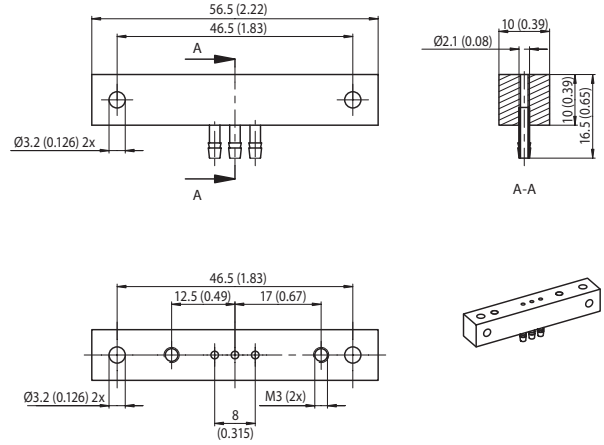
Dimensions: mm (inches)

**Single Subbases
PEEK**

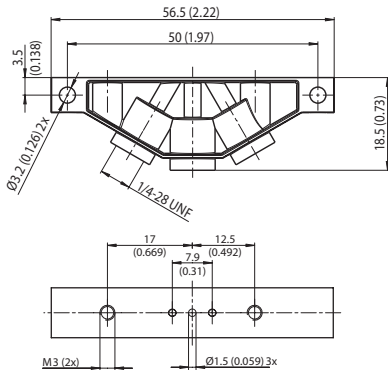
UNF thread -
Catalog number 36100038



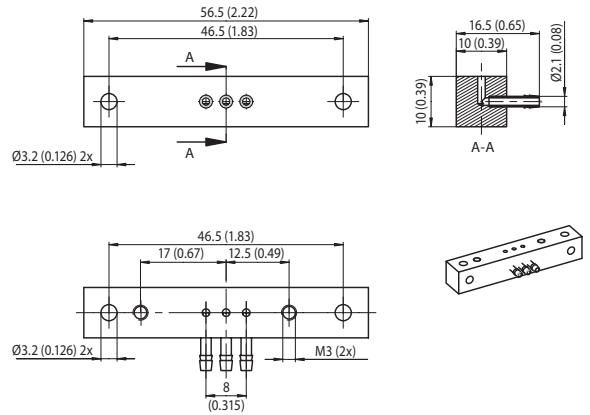
Bottom push-in hose connection -
Catalog number 36100042



UNF thread -
Catalog number 36100040



Side push-in hose connection -
Catalog number 36100044



Options

- Subbases available on request
- Manual operator (impulse-type)

Installation

- The solenoid valves can be mounted in any position without affecting operation