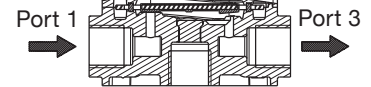
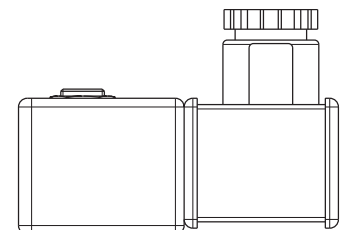
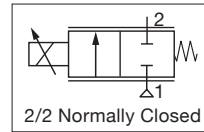


ASCO™ MINIATURE SOLENOID VALVES

FLAPPER PROPORTIONAL FLUID ISOLATION VALVES

- Flapper proportional valves are designed to proportionally control the flow of neutral and aggressive liquids and gases by varying the electrical input signal to the coil
- Special Flapper mechanism results in no pumping or sticking effects
- Reduced heat transfer between control mechanism and fluid make them ideal for use with heat-sensitive reagents and biological samples
- Hysteresis (< 20%), excellent repeatability (< 5%), and high sensitivity (< 1%) make these valves ideal for high precision flow control of liquids
- Excellent self-draining capability and easy-to-flush internal cavity
- Valves do not require a minimum operating pressure
- Meets all relevant CE directives, and is RoHS compliant
- Typical Applications include:
 - Chromatography
 - DNA Sequencing
 - In-vitro Diagnostics
 - Industrial Liquid Analyzers

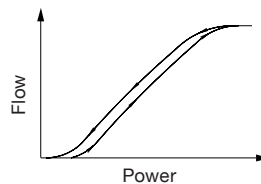


Fluids*	Temperature Range	Seal Materials*
Liquids or Gases ¹	5 °C to 50 °C (41 °F to 122 °F)	FKM/FFKM/EPDM

¹ Filtration: 50µm

* Ensure that the compatibility of the materials in contact with the fluids is verified

General Valve Information	
Body	PEEK
Others	Stainless Steel
Response Time	< 20ms
Internal Volume	0.48ml
Max. Viscosity	20 cSt (mm ² /s)



Electrical Characteristics	
Coil Insulation Class	F
Connector	Lead Wires 24 AWG; L = 500mm (19.685in)
Electrical Safety	IEC 335
Electrical Enclosure Protection	IP65 (EN 60529)
Standard Voltages	12 VDC, 24 VDC (-5%/+10%)
Voltage Regulation	0-12 VDC, 0-24 VDC Pulse-width Modulation (> 1000Hz)
Flow Regulation Characteristics	Hysteresis typ. 20%; Repeatability typ. 5%; Sensitivity typ.1%

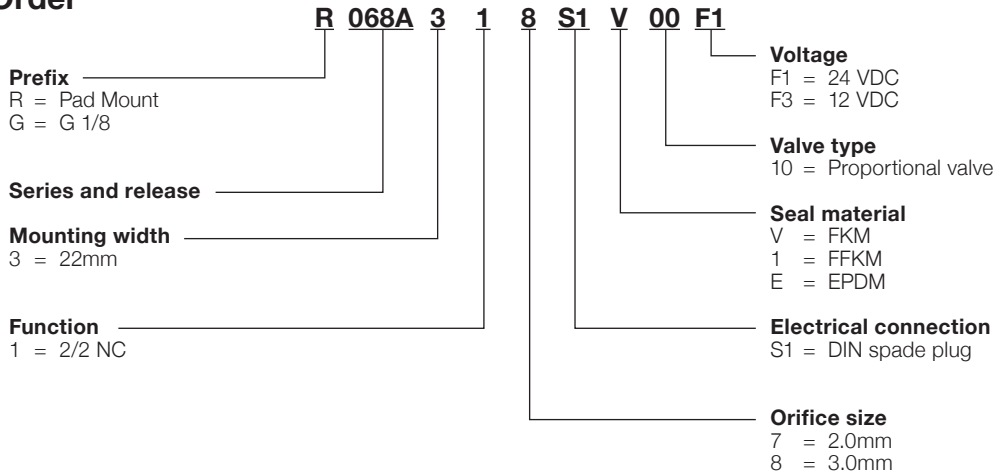
Voltage	Max. Operating Current	Power Ratings			Ambient Temperature Range
		Inrush	Holding	Hot/Cold	
V	mA	VA	VA	W	°C (°F)
12	0	-	-	-	5 to 50 (41 to 122)
	750				
24	0	-	-	-	
	375				

Specifications							
Connection	Orifice Size	Flow Coefficient		Operating Pressure, bar (psi)		Power Rating (W)	Catalog Number
		mm (inches)	Kv (m3/h)	Cv	min.		
G1/8	2 (0.079)	0.069	0.080	0	4.5 (65)	9	G068A317xxx10xx
	3 (0.118)	0.123	0.142	0	2.0 (29)		G068A318xxx10xx
Pad Mounting ¹	2 (0.079)	0.069	0.080	0	4.5 (65)	9	R068A317xxx10xx
	3 (0.118)	0.123	0.142	0	2.0 (29)		R068A318xxx10xx

¹ 4 hexagon socket screws M3 x 8mm (0.315), stainless steel, ISO 4762 (supplied)

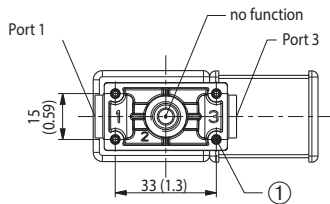
01061GB-2019-R01

How to Order

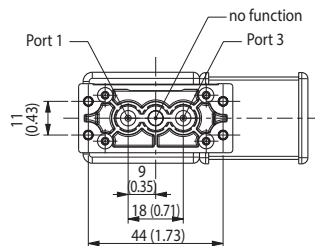


Dimensions: mm (inches)

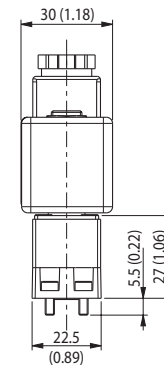
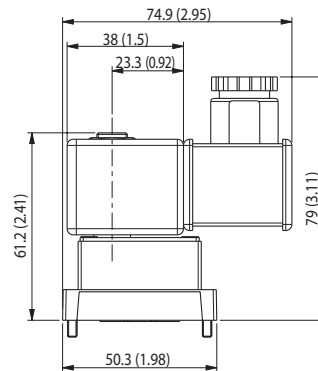
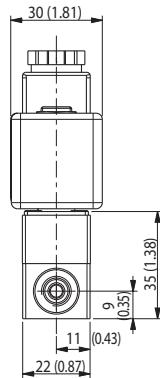
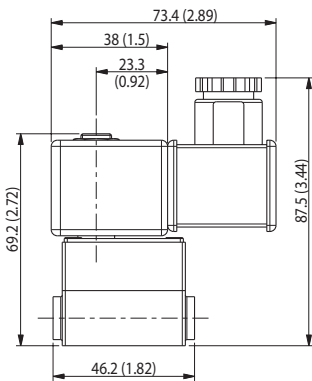
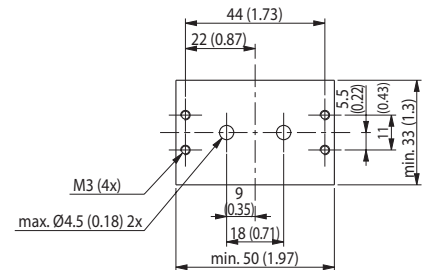
G 1/8



Pad-mounting Body



Subbase Mounting Pattern



① 4 mounting holes, max. depth 7mm (0.276in), for self-tapping screw (type EJOT PT, K30)

Options

- Digital control module Control^D for DIN EN 50022 rail mounting
 - Used as a current regulator in open loop applications
 - Used with an external sensor for closed-loop applications
- Other voltages and leaded coil on request
- Subbases available on request

Installation

- The solenoid valves can be mounted in any position without affecting operation
- Pad-mounting solenoid valve supplied with seal
- Pipe connections 1/8 have standard thread according to ISO 228/1