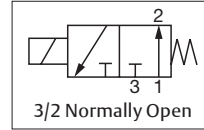
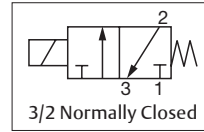


ASCO™ MINIATURE SOLENOID VALVES

GENERAL SERVICE VALVES, MINIATURE SOLENOID

- The 088 Series solenoid valves are designed for use with air and inert gases, and can also be used to pilot other valves or cylinders
- Compact architecture and low power consumption of max. 1.3 W make them ideal for portable medical devices
- Meets all relevant CE directives, and is RoHS compliant
- Typical applications include:
 - Respiratory Therapy
 - Dental
 - Anesthesia Delivery
 - Industrial Gas Analyzers



Fluids	Temperature Range	Seal Materials
Air or Inert Gas, non-lubricated ¹	-10 °C to 50 °C (14 °F - 122 °F)	FKM

¹ filtered at 25 µm

NOTE: Additional constructions and options are available including alternate elastomers and orifice sizes. Minimum quantities apply.

General Valve Information	
Body	PA (polyamide)
Response Time	0.5mm orifice: 8ms on - 10ms off 0.7mm/0.8mm: 6ms on - 8ms off

Electrical Characteristics	
Standard Voltages*	12 VDC, 24 VDC (-10%/+10%)
Power Consumption	0.6 - 1.3 W

* Other voltages on request

Under extreme conditions (highest temperature / pressure below 2bar / aged valve) an increase of the lower tolerance side is permissible.

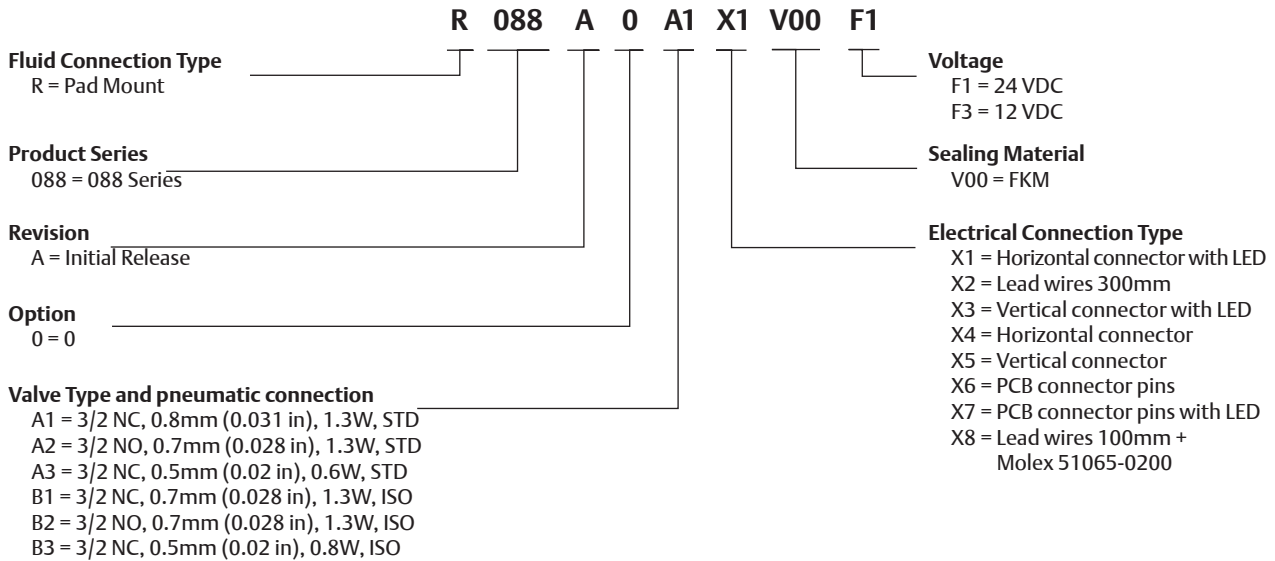
NOTE: The solenoid valves are designed for continuous operation within the maximum ambient temperature limits.

Insulation Class	Coil Insulation	Protection	Ambient Temperature Range
	°C (°F)	VA	°C (°F)
F	155 (311)	IP65 (coil with encapsulated cables) IP51	-10 °C to 50 °C (14 °F - 122 °F)

Specifications								
Orifice Size		Flow Coefficient		Operating Pressure		Power Rating	Pneumatic Connection	Catalog Number
mm (inches)		Kv (m ³ /h)	Cv	min.	max.			
1 → 2	2 → 3							
3/2 NC - Normally Closed								
0.5 (0.02)	0.7 (0.028)	0.007	0.008	0	7 (101.5)	0.6	STD	R088A0A3XXV00FX
0.8 (0.031)	1.0 (0.039)	0.014	0.016			1.3		R088A0A1XXV00FX
0.5 (0.02)	0.7 (0.028)	0.007	0.008			1.3	ISO	R088A0B3XXV00FX
0.7 (0.028)	1.0 (0.039)	0.011	0.013					R088A0B1XXV00FX
3/2 NO - Normally open								
0.9 (0.035)	0.7 (0.028)	0.010	0.012	0	7 (101.5)	1.3	STD	R088A0A2XXV00FX
0.8 (0.031)		0.011	0.013				ISO	R088A0B2XXV00FX

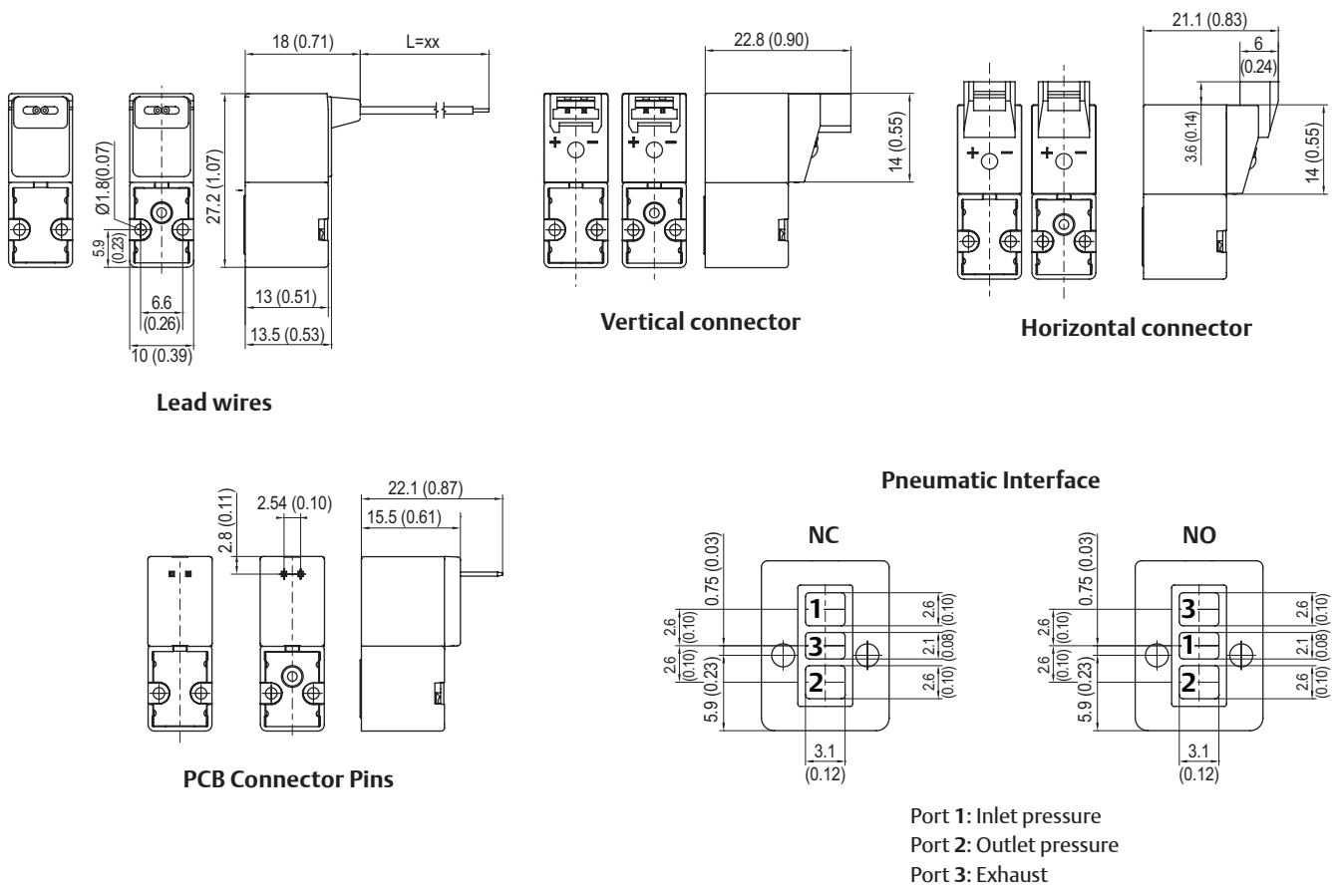
01067GB-2020-R02

How To Order



Dimensions: mm (inches)

R088A0A...



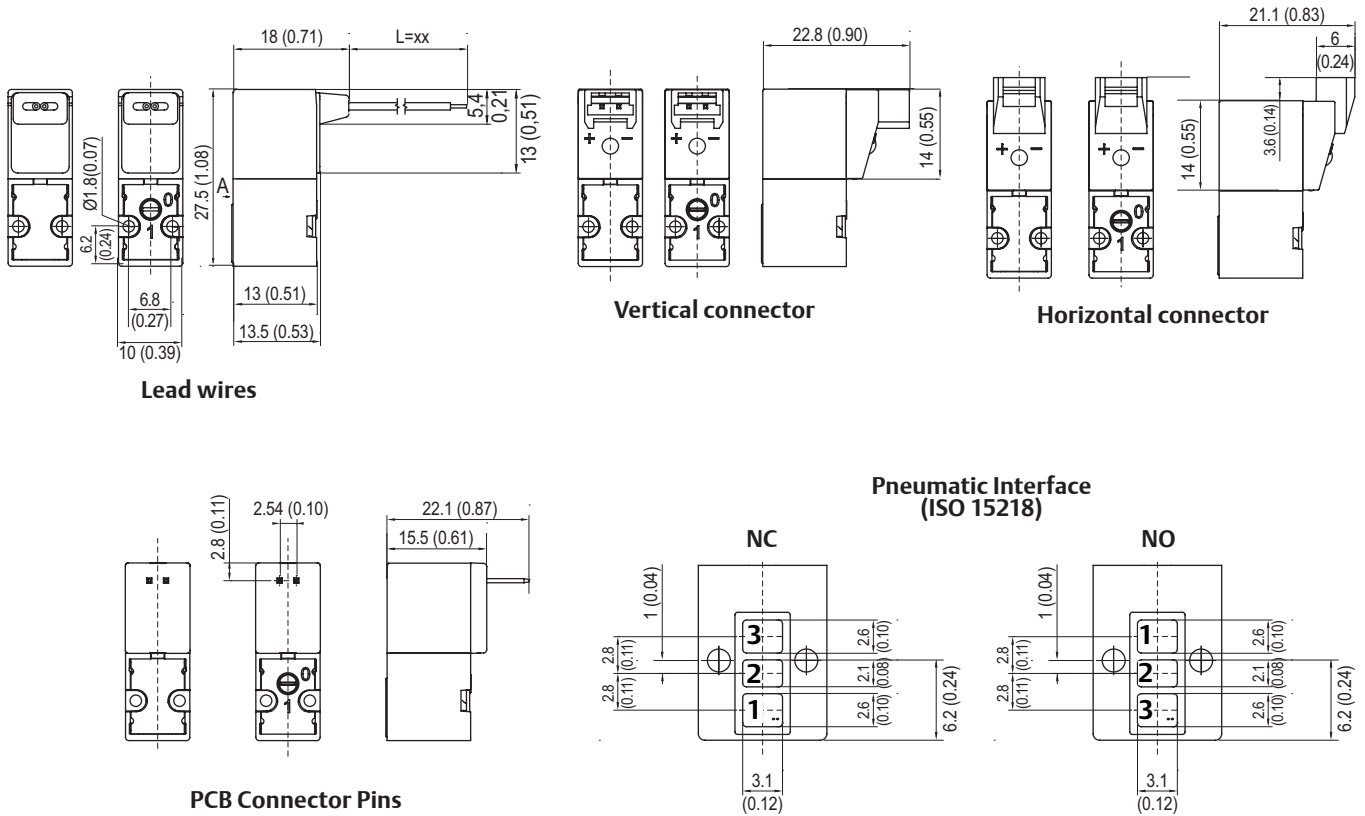
ASCO™ MINIATURE SOLENOID VALVES

GENERAL SERVICE VALVES, MINIATURE SOLENOID

SERIES
088

Dimensions: mm (inches)

R088A0B...



Port 1: Inlet pressure
Port 2: Outlet pressure
Port 3: Exhaust

01067CB-2020-R02

