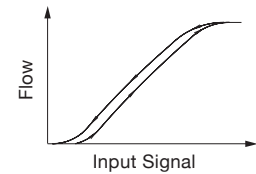
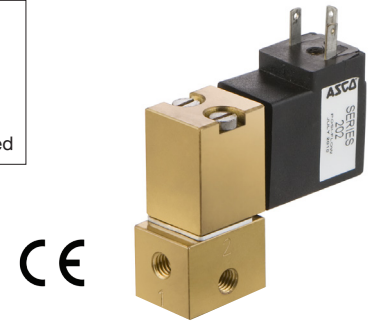
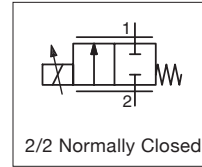


- Posiflow solenoid valves are designed to proportionally control the flow of air and inert gases by varying the electrical input signal to the coil
- Low hysteresis (< 5%), excellent repeatability (< 1%), and high sensitivity (< 1%) make these valves ideal for high precision flow control
- Large orifice sizes make these valves extremely versatile across multiple disciplines
- Valves do not require a minimum operating pressure, and are well-suited for vacuum operation
- Compact frictionless architecture saves valuable space in analytical and medical instrumentation
- Meets all relevant CE directives, and is RoHS compliant
- Typical applications include:
 - Endoscopy Instrumentation
 - Anesthesia Delivery
 - Blood Pressure Monitoring
 - Gas Chromatography



Fluids*	Temperature Range	Seal Materials*
Air, Inert Gas, Water, Oil	0 °C to 50 °C (32 °F to 122 °F)	FKM (fluoroelastomer)

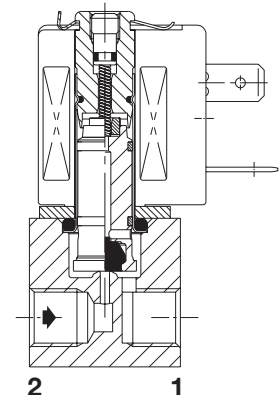
* Ensure that the compatibility of the fluids in contact with the materials is verified

General Valve Information		
	Brass Body	Stainless Steel Body
Body	Brass	AISI 303
Seals	FKM	FKM
Others	Stainless Steel, PTFE, Brass, FKM	Stainless Steel, PTFE, FKM
Max. Viscosity	50 cSt (mm ² /s)	50 cSt (mm ² /s)

Electrical Characteristics	
Coil Insulation Class	F
Connector	Spade plug - cable Ø6-8mm (0.24 - 0.31in)
Connector Specification	DIN 43650, 11mm (0.43in), industry standard B
Electrical Safety	IEC 335
Electrical Enclosure Protection	Molded IP65 (EN 60529)
Standard Voltages ¹	24 VDC
Voltage Regulation	0-24 VDC; Pulse-width Modulation (400Hz)
Flow Regulation Characteristics ²	Hysteresis < 5%; Repeatability < 1%; Sensitivity < 1%

¹ Other voltages on request

² Percentage of max. value with 24 VDC, P.W.M. 400Hz supply at constant differential pressure

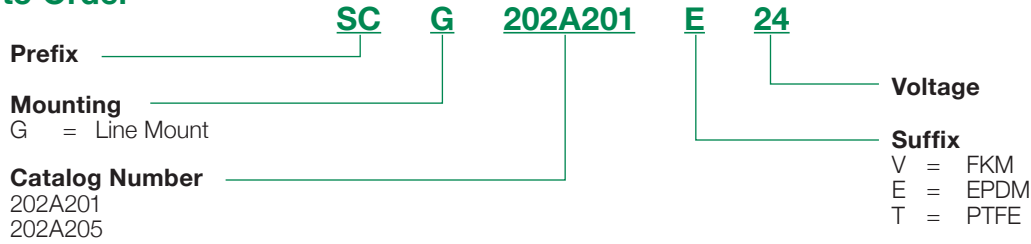


Operating Current	Power Ratings				Ambient Temperature Ranges	Replacement Coil	Type ³	
	Inrush	Holding	Hot/Cold					
mA	VA	VA	W		°C (°F)	24 VDC		
100 to 450	-	-	-		8.6/6.3	0 to 40 (32 to 104)	-	01

³ Refer to the dimensional drawings on the following page

Specifications													
Connection	Orifice Size	Flow Coefficient		Pressure Differential bar (psi)				Power Coil	Catalog Number		Options		
				max.									
				min.	vacuum	air	water		oil	W	brass	stainless steel	EPDM
G1/8	1.2 (0.047)	0.05	0.058	0	1 (14.5)	8 (116)	5 (73)	5 (73)	6.3	SCG202A201V	SCG202A205V	E	T
	1.6 (0.063)	0.07	0.081	0	1 (14.5)	6 (87)	4 (58)	4 (58)	6.3	SCG202A202V	SCG202A206V	E	T
	2.4 (0.094)	0.13	0.150	0	1 (14.5)	4 (58)	3 (43)	3 (43)	6.3	SCG202A203V	SCG202A207V	E	T
	3.2 (0.126)	0.18	0.208	0	1 (14.5)	2.5 (36)	2.5 (36)	2.5 (36)	6.3	SCG202A204V	SCG202A208V	E	T

How to Order

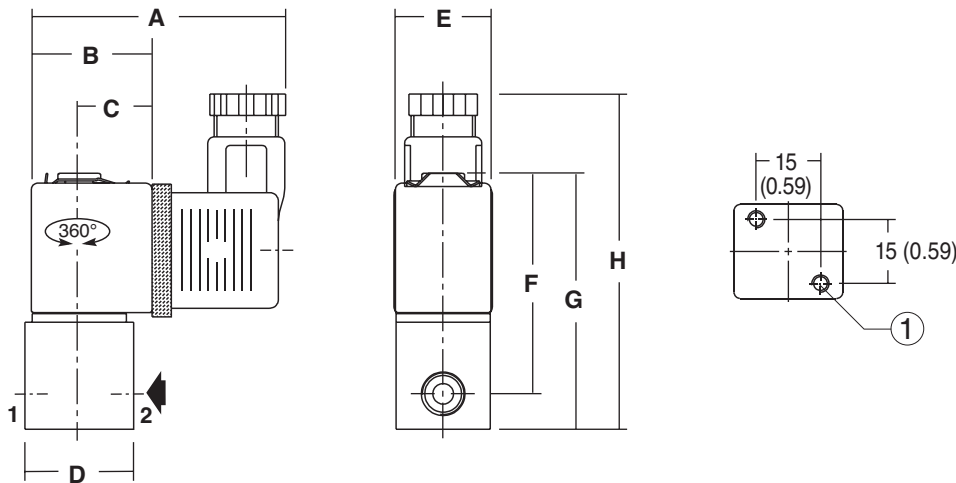


Dimensions: mm (inches)

Dimensional Drawings

Type 01

Prefix "SC" solenoid, epoxy molded
IEC 335/DIN 43650
IP65



Type	Prefix Option	A	B	C	D	E	F	G	H	X
01	SC	59 (2.32)	28 (1.10)	17 (0.67)	25 (0.98)	22 (0.87)	52 (2.05)	60 (2.36)	78 (3.07)	-

¹ Including coil and connector

Options

- Valves can also be supplied with NBR (nitrile), EPDM (ethylene propylene) and PTFE seals and discs
- Explosionproof enclosures for use in zones 1/21-2/22, categories 2-3 to ATEX Directive 94/9/EC, on request
- Electrical enclosures according to "NEMA" standards are available
- Mounting brackets
- Digital control unit (see electrical control section)
Features:
 - Analog input control signals: 0 – 10 VDC or 4 – 20 mA
 - Coil current (= flow rate) adjustable to required control signals
 - Switch-off function at less than 2% of the maximum control function
 - Adjustable ramp control
 - Adjustable frequency
 - Output current independent of coil resistance and supply voltage variations
 - Housed in a box with spade plug connector according to ISO 4400/IP65
- Other pipe connections are available on request

Installation

- The solenoid valves can be mounted in any position without affecting operation
- Solenoid valves have 2 mounting holes in body
- Threaded pipe connection is standard:
G = G (ISO 228/1)