

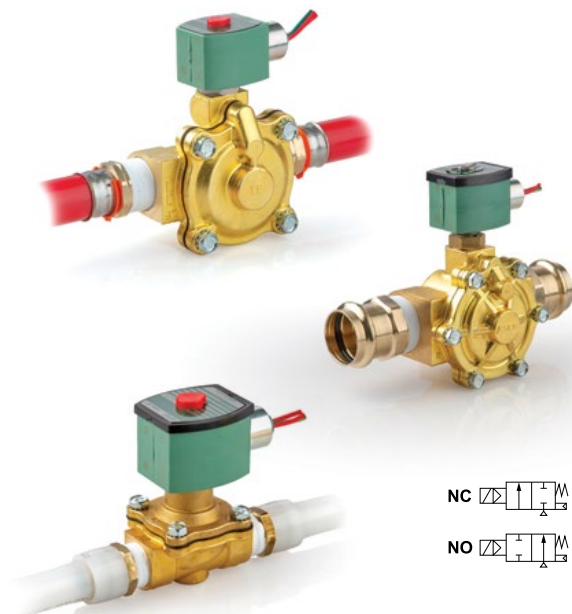
ASCO™ Quick-Connect Solenoid Valves

Lead-Free* Brass Bodies | Pilot Operated | 1/2" to 2"

**SERIES
K210**

Features

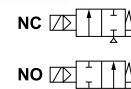
- 2-Way lead-free brass valves with Safe Drinking Water Act Section 1417 compliance
- Viega ProPress®, Viega PureFlow®, and Uponor ProPEX® fitting options for fast connection
- Industrial Applications include:
 - Commercial Buildings
 - Hot Water Heaters
 - Laundry Equipment
 - Industrial Water Control
 - Car Wash



Construction

Valve Parts in Contact with Fluids	
Body	Lead-Free* Brass
Seals and Discs	NBR or EPDM
Disc-Holder	PA
Core Tube	305 Stainless Steel
Core and Plugnut	430F Stainless Steel
Springs	302 Stainless Steel
Shading Coil	Copper

*The term "Lead-Free" for brass materials is defined by SDWA 1417 as having a maximum weighted average lead content of 0.25% across the wetted surface area



Electrical

Standard Coil and Class of Insulation	Watt Rating and Power Consumption				Spare Coil Part Number	
	DC Watts	AC			General Purpose	
		Watts	VA Holding	VA Inrush	AC	DC
F	–	6.1	16	40	238210	–
F	11.6	10.1	25	70	238610	238710
F	15.8	–	–	–	–	501695
F	–	16.1	35	180	272610	97617
F	30.8	–	–	–	–	501695

Standard Voltages: 24, 120, 240, 480 volts AC, 60 Hz (or 110, 220 volts AC, 50 Hz).
6, 12, 24, 120, 240 volts DC. Must be specified when ordering.
Other voltages available when required.

Solenoid Enclosures

Standard:

Red Hat II – Watertight, Types, 1, 2, 3, 3S, 4 and 4X

Nominal Ambient Temp. Ranges

RedHat II AC: 32°F to 125°F (0°C to 52°C)

DC: 32°F to 104°F (0°C to 40°C)

Approvals

- UL Recognized Component MP618 (Y10Z2)
CSA File 10381 Product class 3221–01, 3221–81
- Compliance with the Safe Drinking Water Act (SDWA) Section 1417 Lead Free Requirements as indicated.

Important: Suffix HW versions: UL/CSA certification on AC voltages only

Specifications (English Units)

Connection Type	Pipe Size (in)	Orifice Size (in)	Cv Flow Factor	Operating Pressure Differential (psi)			Max. Fluid Temp (°F)		Catalog Number	Const. Ref.	Watt Rating/ Class of Coil Insulation	
				Min Pressure	Water AC	Water DC	AC	DC			AC	DC
General Service – Normally Closed												
Viega ProPress®	1/2	5/8	4	5	150	100	180	150	K210G002LFXP	6D	6.1/F	11.6/F
	1/2	5/8	4	0	150	40	180	150	K210G094LFXP	5D	10.1/F	11.6/F
	1/2	5/8	4	5	125	100	210	150	K210G002HWLFXP	6D	6.1/F	11.6/F
	1/2	5/8	4	0*	100	40	210	150	K210G094HWLFXP	5D	10.1/F	11.6/F
	3/4	3/4	5	5	125	90	180	150	K210G009LFXP	9D	6.1/F	11.6/F
	3/4	3/4	5	0	150	40	180	150	K210G095LFXP	8D	10.1/F	11.6/F
	3/4	3/4	5	5	125	100	210	150	K210G009HWLFXP	9D	6.1/F	11.6/F
	3/4	3/4	5	0*	100	40	210	150	K210G095HWLFXP	9D	10.1/F	11.6/F
	1	1	13	5	150	125	180	150	K210G004LFXP	12D	6.1/F	11.6/F
	1	1	13	0	125	120	180	180	K210G054LFXP	41D/31D	16.1/F	30.8/F
	1 1/4	1 1/8	15	5	150	125	180	150	K210G008LFXP	16D	6.1/F	11.6/F
1 1/2	1 1/4	22.5	5	150	125	180	150	K210G022LFXP	18D	6.1/F	11.6/F	
2	1 3/4	43	5	125	50	180	150	K210G100LFXP	20P	6.1/F	11.6/F	
Viega PureFlow®	1/2	5/8	2.8	5	100	100	180	150	K210G002LFXC	6D	6.1/F	11.6/F
	1/2	5/8	2.8	0	100	40	180	150	K210G094LFXC	5D	10.1/F	11.6/F
	1/2	5/8	2.8	5	80	80	180	150	K210G002HWLFXC	6D	6.1/F	11.6/F
	1/2	5/8	2.8	0*	80	40	180	150	K210G094HWLFXC	5D	10.1/F	11.6/F
	3/4	3/4	4.5	5	100	90	180	150	K210G009LFXC	9D	6.1/F	11.6/F
	3/4	3/4	4.5	0	100	40	180	150	K210G095LFXC	8D	10.1/F	11.6/F
	3/4	3/4	4.5	5	80	80	180	150	K210G009HWLFXC	9D	6.1/F	11.6/F
	3/4	3/4	4.5	0*	80	40	180	150	K210G095HWLFXC	8D	10.1/F	11.6/F
	1	1	12	5	100	100	180	150	K210G004LFXC	12D	6.1/F	11.6/F
	1	1	12	0	100	100	180	180	K210G054LFXC	41D/31D	16.1/F	30.8/F
Uponor ProPEX®	1/2	5/8	2.8	5	100	100	180	150	K210G002LFX	6D	6.1/F	11.6/F
	1/2	5/8	2.8	0	100	40	180	150	K210G094LFX	5D	10.1/F	11.6/F
	1/2	5/8	2.8	5	80	80	200	150	K210G002HWLFX	6D	6.1/F	11.6/F
	1/2	5/8	2.8	0*	80	40	200	150	K210G094HWLFX	5D	10.1/F	11.6/F
	3/4	3/4	4.5	5	100	90	180	150	K210G009LFX	9D	6.1/F	11.6/F
	3/4	3/4	4.5	0	100	40	180	150	K210G095LFX	8D	10.1/F	11.6/F
	3/4	3/4	4.5	5	80	80	200	150	K210G009HWLFX	9D	6.1/F	11.6/F
	3/4	3/4	4.5	0*	80	40	200	150	K210G095HWLFX	8D	10.1/F	11.6/F
	1	1	12	5	100	100	180	150	K210G004LFX	12D	6.1/F	11.6/F
	1	1	12	0	100	100	180	180	K210G054LFX	41D/31D	16.1/F	30.8/F
	1 1/4	1 1/8	13.5	5	100	100	180	150	K210G008LFX	16D	6.1/F	11.6/F
	1 1/2	1 1/4	20	5	100	100	180	150	K210G022LFX	18D	6.1/F	11.6/F
	2	1 3/4	38.5	5	100	50	180	150	K210G100LFX	20P	6.1/F	11.6/F
General Service – Normally Open												
Viega ProPress®	1/2	5/8	4	0	150	125	180	150	K210G034LFXP	23D	10.1/F	11.6/F
	3/4	3/4	5.5	0	150	125	180	150	K210G035LFXP	25D	10.1/F	11.6/F
	1	1	13	5	150	125	180	180	K210G014LFXP	47D/53D	16.1/F	15.8/F
	1 1/4	1 1/8	15	5	150	125	180	180	K210G018LFXP	48D/54D	16.1/F	15.8/F
	1 1/2	1 1/4	22.5	5	150	125	180	180	K210G032LFXP	49D/55D	16.1/F	15.8/F
	2	1 3/4	43	5	125	125	180	180	K210G103LFXP	50P/56P	16.1/F	15.8/F
Viega PureFlow®	1/2	5/8	2.8	0	100	100	180	150	K210G034LFXC	23D	10.1/F	11.6/F
	3/4	3/4	5	0	100	100	180	150	K210G035LFXC	25D	10.1/F	11.6/F
	1	1	12	5	100	100	180	180	K210G014LFXC	47D/53D	16.1/F	15.8/F
Uponor ProPEX®	1/2	5/8	2.8	0	100	100	180	150	K210G034LFX	23D	10.1/F	11.6/F
	3/4	3/4	5	0	100	100	180	150	K210G035LFX	25D	10.1/F	11.6/F
	1	1	12	5	100	100	180	180	K210G014LFX	47D/53D	16.1/F	15.8/F
	1 1/4	1 1/8	13.5	5	100	100	180	180	K210G018LFX	48D/54D	16.1/F	15.8/F
	1 1/2	1 1/4	20	5	100	100	180	180	K210G032LFX	49D/55D	16.1/F	15.8/F
	2	1 3/4	38.5	5	100	100	180	150	K210G103LFX	50P/56P	16.1/F	15.8/F

* 0 psi on AC construction, 1/4 psi on DC construction.

ASCO™ Quick-Connect Solenoid Valves

Lead-Free* Brass Bodies | Pilot Operated | 1/2" to 2"

**SERIES
K210**

Specifications (Metric Units)

Connection Type	Pipe Size (mm)	Orifice Size (mm)	Kv Flow Factor	Operating Pressure Differential (bar)			Max. Fluid Temp (°C)		Catalog Number	Const. Ref.	Watt Rating/ Class of Coil Insulation		
				Min Pressure	Water AC	Water DC	AC	DC			AC	DC	
General Service – Normally Closed													
Viega ProPress®	12.7	15.9	3.5	0.3	10.3	6.9	82.2	65.6	K210G002LFXP	6D	6.1/F	11.6/F	
	12.7	15.9	3.5	0.0	10.3	2.8	82.2	65.6	K210G094LFXP	5D	10.1/F	11.6/F	
	12.7	15.9	3.5	0.3	10.3	6.9	93.3	65.6	K210G002HWLFXP	6D	6.1/F	11.6/F	
	12.7	15.9	3.5	0.0*	10.3	2.8	93.3	65.6	K210G094HWLFXP	5D	10.1/F	11.6/F	
	19.1	19.1	4.3	0.3	8.6	6.2	82.2	65.6	K210G009LFXP	9D	6.1/F	11.6/F	
	19.1	19.1	4.3	0.0	10.3	2.8	82.2	65.6	K210G095LFXP	8D	10.1/F	11.6/F	
	19.1	19.1	4.3	0.3	8.6	6.9	93.3	65.6	K210G009HWLFXP	9D	6.1/F	11.6/F	
	19.1	19.1	4.3	0.0*	10.3	2.8	93.3	65.6	K210G095HWLFXP	8D	10.1/F	11.6/F	
	25.4	25.4	11.2	0.3	10.3	8.6	82.2	65.6	K210G004LFXP	12D	6.1/F	11.6/F	
	25.4	25.4	11.2	0.0	8.6	8.3	82.2	82.2	K210G054LFXP	41D/31D	16.1/F	30.8/F	
31.8	28.6	13.0	0.3	10.3	8.6	82.2	65.6	K210G008LFXP	16D	6.1/F	11.6/F		
38.1	31.8	19.5	0.3	10.3	8.6	82.2	65.6	K210G022LFXP	18D	6.1/F	11.6/F		
50.8	44.5	37.2	0.3	8.6	3.4	82.2	65.6	K210G100LFXP	20P	6.1/F	11.6/F		
Viega PureFlow®	12.7	15.9	2.4	0.3	13.8	6.9	82.2	65.6	K210G002LFXC	6D	6.1/F	11.6/F	
	12.7	15.9	2.4	0.0	10.3	2.8	82.2	65.6	K210G094LFXC	5D	10.1/F	11.6/F	
	12.7	15.9	2.4	0.3	13.8	5.5	82.2	65.6	K210G002HWLFXC	6D	6.1/F	11.6/F	
	12.7	15.9	2.4	0.0*	10.3	2.8	82.2	65.6	K210G094HWLFXC	5D	10.1/F	11.6/F	
	19.1	19.1	3.9	0.3	8.6	6.2	82.2	65.6	K210G009LFXC	9D	6.1/F	11.6/F	
	19.1	19.1	3.9	0.0	10.3	2.8	82.2	65.6	K210G095LFXC	8D	10.1/F	11.6/F	
	19.1	19.1	3.9	0.3	8.6	5.5	82.2	65.6	K210G009HWLFXC	9D	6.1/F	11.6/F	
	19.1	19.1	3.9	0.0*	10.3	2.8	82.2	65.6	K210G095HWLFXC	8D	10.1/F	11.6/F	
	25.4	25.4	10.4	0.3	10.3	6.9	82.2	65.6	K210G004LFXC	12D	6.1/F	11.6/F	
	25.4	25.4	10.4	0.0	10.3	6.9	82.2	82.2	K210G054LFXC	41D/31D	16.1/F	30.8/F	
Uponor ProPEX®	12.7	15.9	2.4	0.3	6.9	6.9	82.2	65.6	K210G002LFXX	6D	6.1/F	11.6/F	
	12.7	15.9	2.4	0.0	6.9	2.8	82.2	65.6	K210G094LFXX	5D	10.1/F	11.6/F	
	12.7	15.9	2.4	0.3	5.5	5.5	93.3	65.6	K210G002HWLFXX	6D	6.1/F	11.6/F	
	12.7	15.9	2.4	0.0*	5.5	2.8	93.3	65.6	K210G094HWLFXX	5D	10.1/F	11.6/F	
	19.1	19.1	3.9	0.3	6.9	6.2	82.2	65.6	K210G009LFXX	9D	6.1/F	11.6/F	
	19.1	19.1	3.9	0.0	6.9	2.8	82.2	65.6	K210G095LFXX	8D	10.1/F	11.6/F	
	19.1	19.1	3.9	0.3	5.5	5.5	82.2	65.6	K210G009HWLFXX	9D	6.1/F	11.6/F	
	19.1	19.1	3.9	0.0*	5.5	2.8	82.2	65.6	K210G095HWLFXX	8D	10.1/F	11.6/F	
	25.4	25.4	10.4	0.3	6.9	6.9	82.2	65.6	K210G004LFXX	12D	6.1/F	11.6/F	
	25.4	25.4	10.4	0.0	6.9	6.9	82.2	82.2	K210G054LFXX	41D/31D	16.1/F	30.8/F	
Viega ProPress®	12.7	15.9	3.5	0.0	10.3	8.6	82.2	65.6	K210G034LFXP	23D	10.1/F	11.6/F	
	19.1	19.1	4.8	0.0	10.3	8.6	82.2	65.6	K210G035LFXP	25D	10.1/F	11.6/F	
	25.4	25.4	11.2	0.3	10.3	10.3	82.2	82.2	K210G014LFXP	47D/53D	16.1/F	15.8/F	
	31.8	28.6	13.0	0.3	10.3	10.3	82.2	82.2	K210G018LFXP	48D/54D	16.1/F	15.8/F	
	38.1	31.8	19.5	0.3	10.3	10.3	82.2	82.2	K210G032LFXP	49D/55D	16.1/F	15.8/F	
	50.8	44.5	37.2	0.3	8.6	8.6	82.2	65.6	K210G103LFXP	50P/56P	16.1/F	15.8/F	
	Viega PureFlow®	12.7	15.9	2.4	0.0	10.3	6.9	82.2	65.6	K210G034LFXC	23D	10.1/F	11.6/F
		19.1	19.1	4.3	0.0	10.3	6.9	82.2	65.6	K210G035LFXC	25D	10.1/F	11.6/F
		25.4	25.4	10.4	0.3	10.3	6.9	82.2	65.6	K210G014LFXC	47D/53D	16.1/F	15.8/F
	Uponor ProPEX®	12.7	15.9	2.4	0.0	6.9	6.9	82.2	65.6	K210G034LFXX	23D	10.1/F	11.6/F
19.1		19.1	4.3	0.0	6.9	6.9	82.2	65.6	K210G035LFXX	25D	10.1/F	11.6/F	
25.4		25.4	10.4	0.3	6.9	6.9	82.2	82.2	K210G014LFXX	47D/53D	16.1/F	15.8/F	
31.8		28.6	11.7	0.3	6.9	6.9	82.2	82.2	K210G018LFXX	48D/54D	16.1/F	15.8/F	
38.1		31.8	17.3	0.3	6.9	6.9	82.2	82.2	K210G032LFXX	49D/55D	16.1/F	15.8/F	
50.8		44.5	33.3	0.3	6.9	6.9	82.2	65.6	K210G103LFXX	50P/56P	16.1/F	15.8/F	
General Service – Normally Open													

* 0 bar on AC construction, 0.02 bar on DC construction.

Dimensions: inches (mm)

Const. Ref.		H	K	L	P	W	Viega ProPress® XP	Viega PureFlow® XC	Uponor ProPEX® XX
5	in	3.84	2.31	2.75	3.28	2.28	5.02	4.78	5.06
	mm	98	59	70	83	58	128	122	129
6*	in	3.38	1.94	2.75	2.8	2.28	5.02	4.78	5.06
	mm	86	49	70	71	58	128	122	129
8	in	4.13	2.47	2.81	3.44	2.29	5.47	4.89	5.65
	mm	105	63	71	87	58	139	124	144
9*	in	3.66	2.1	2.81	2.96	2.28	5.47	4.89	5.65
	mm	93	53	71	75	58	139	124	144
12	in	5.64	3.15	3.75	4.01	3.36	6.68	6.4	7.26
	mm	143	80	95	102	85	170	163	185
16	in	5.64	3.15	3.66	4.01	3.56	6.91	–	7.63
	mm	143	80	93	102	90	176	–	194
18*	in	6.11	3.3	4.38	4.16	3.92	8.32	–	8.92
	mm	155	84	111	106	100	212	–	227
20*	in	7.33	3.71	5.06	4.57	4.87	9.71	–	11.29
	mm	186	94	129	116	124	247	–	287
23	in	4.35	2.65	2.75	3.79	2.28	5.02	4.78	5.06
	mm	110	67	70	96	58	128	122	129
25	in	4.64	2.81	2.81	3.94	2.28	5.47	4.89	5.65
	mm	118	71	71	100	58	139	124	144
31	in	5.13	3.19	3.76	4.32	3.27	6.68	6.4	7.26
	mm	130	81	95	110	83	170	163	185
41	in	5.13	3.1	3.75	4.32	3.25	6.68	6.4	7.26
	mm	130	79	95	110	83	170	163	185
47	in	6.43	3.59	3.75	4.81	3.52	6.68	6.4	7.26
	mm	163	91	95	122	90	170	163	185
48	in	6.43	3.59	3.66	4.81	3.73	6.91	–	7.63
	mm	163	91	93	122	95	176	–	194
49	in	6.91	3.75	4.38	4.96	4.4	8.32	–	8.92
	mm	176	95	111	126	112	212	–	227
50	in	8.13	4.15	5.06	5.37	4.87	9.71	–	11.29
	mm	207	105	129	136	124	247	–	287
53	in	6.46	3.57	3.75	4.83	3.74	6.68	6.4	7.26
	mm	164	91	95	123	95	170	163	185
54	in	6.47	3.57	3.66	4.83	3.94	6.91	–	7.63
	mm	164	91	93	123	100	176	–	194
55	in	6.93	3.72	4.38	4.98	4.3	8.32	–	8.92
	mm	176	95	111	126	109	212	–	227
56	in	8.17	4.13	5.06	5.39	4.71	9.71	–	11.29
	mm	208	105	129	137	120	247	–	287

* DC dimensions slightly larger.

IMPORTANT: Valves may be mounted in any position, except as noted in specifications table

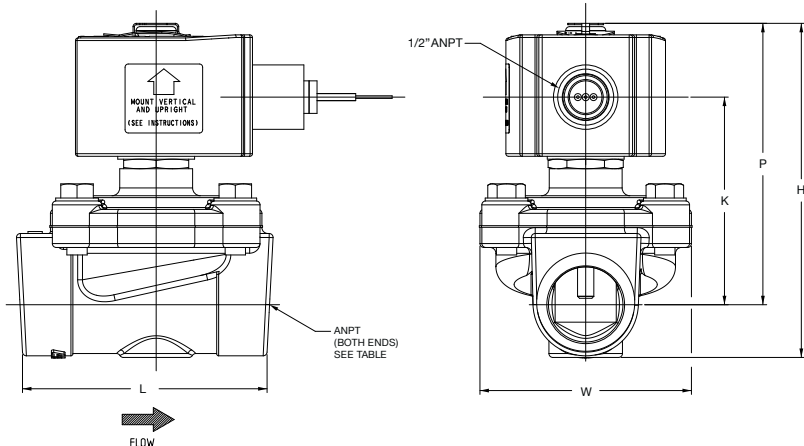
ASCO™ Quick-Connect Solenoid Valves

Lead-Free* Brass Bodies | Pilot Operated | 1/2" to 2"

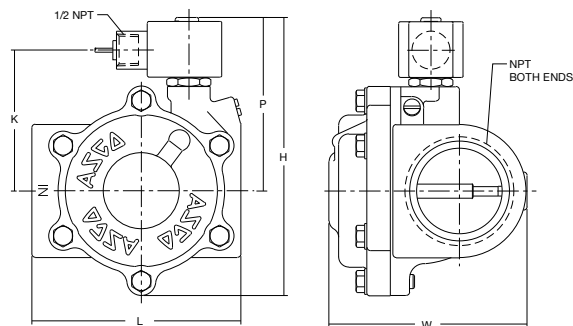
**SERIES
K210**

Dimensions

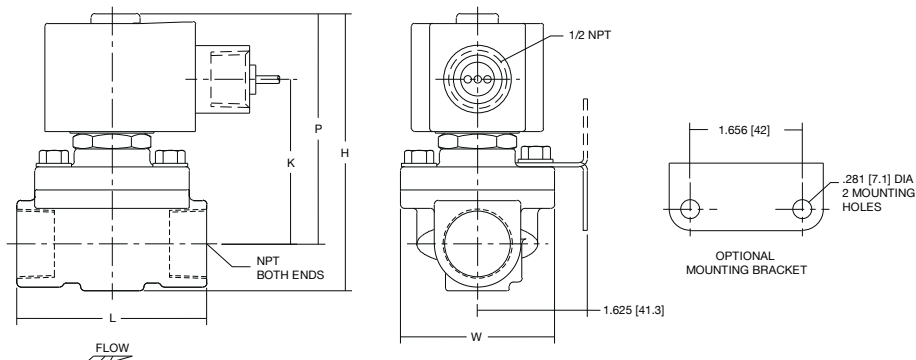
Const. Ref. 10, 15, 31, 32, 33



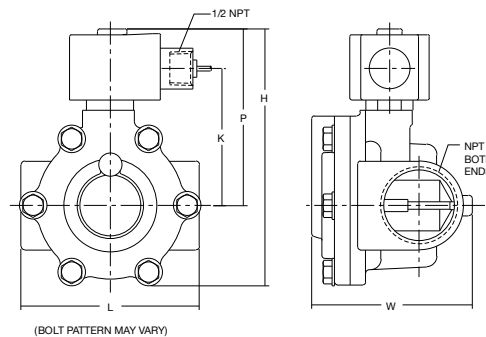
Const. Ref. 20, 21, 27, 30, 50, 51, 56, 57



Const. Ref. 5-9, 11, 23, 25, 37, 38, 40-46, 52



Const. Ref. 18, 29, 49



Const. Ref. 12, 16, 26, 28, 47, 48, 53, 54, 55

