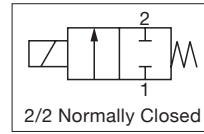


ASCO™ MINIATURE SOLENOID VALVES

GENERAL SERVICE VALVES, 2-WAY NORMALLY CLOSED - HIGH PRESSURE

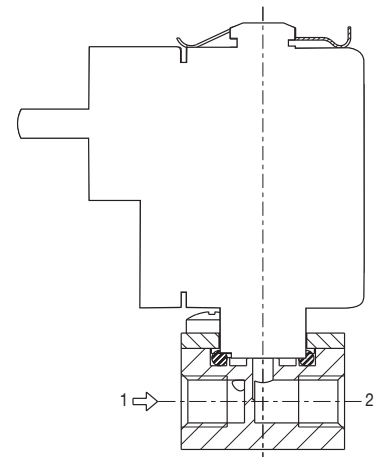
- The Series 226 direct acting solenoid valve can be used with both liquids and gases
- Low power versions (0.5W), and latching coil versions (power consumption close to zero) results in a decrease in OEM instrument power consumption as well as a decrease in heat transferred to the fluid media
- Small form-factor saves space in OEM instruments and are well-suited for portable and hand-held field devices
- Multiple electrical connection options offer greater flexibility in OEM instrument design and serviceability
- Meets all relevant CE directives, and is RoHS compliant
- Typical applications include:
 - Dental Equipment
 - Gas Chromatography
 - Industrial Analyzers
 - Respiratory Devices



Fluids*	Temperature Range	Seal Materials*
Liquids and gases	0°C to 130°C (32°F to 266°F) (FKM) 0°C to 140°C (32°F to 284°F) (FFKM) -10°C to 90°C (14°F to 194°F) (HNBR)	FKM or FFKM or HNBR

* Ensure that the compatibility of the materials in contact with the fluids is verified.

General Valve Information	
Body	Brass
Internal components	Stainless Steel
Maximum allowable pressure (PS)	16 bar (232 psi)
Response Time	<10ms
Max viscosity	3°E (22 cStokes or mm ² /s)
Guide assembly	Stainless Steel



Electrical Characteristics	
Continuous duty	ED 100%
Encapsulation material	PA (Polyamide) fiberglass reinforced
Coil insulation class	F (155°C)
Ambient temperature	-10°C to 60°C (14°F to 140°F)
Electric connection*	DIN 46340
Electrical Enclosure Protection	IP65 (EN 60529) with plug micro-connector
Standard Voltages	DC: 12 VDC, 24 VDC (+10% - 5%)

* leaded coil on request

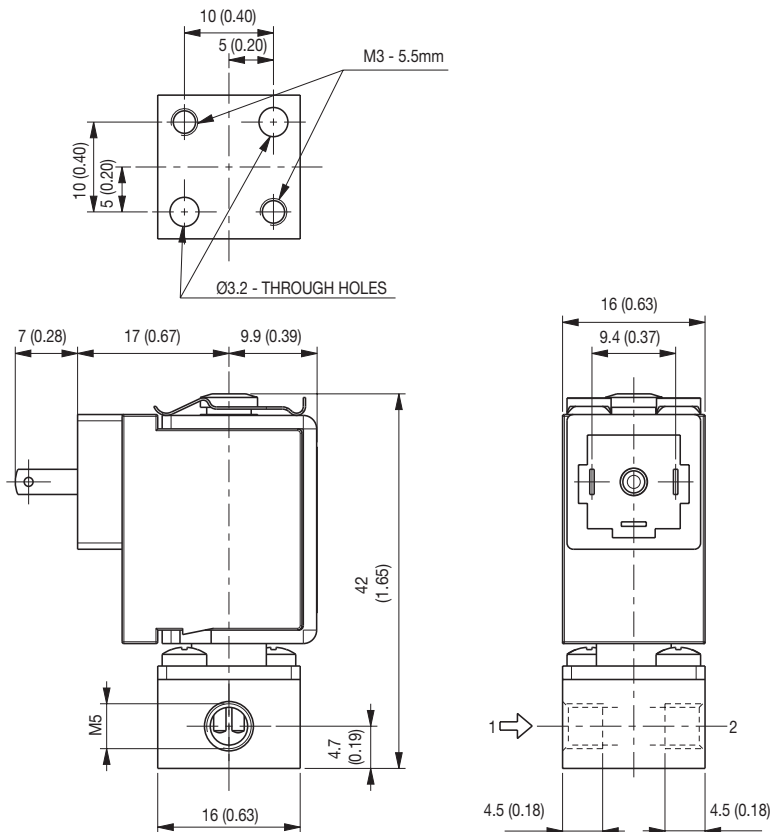
NOTE:

These micro-solenoid valves are not suitable for stagnating media subject to vaporization which deposit solid, calcareous, incrusting residues or similar. Seal: FKM = Fluoro-carbon elastomer FFKM = Perfluorate elastomer HNBR = Hydrogenated nitrile-butylene elastomer

01077GB-2019-R01

Specifications															
Con- nection	Orifice Size mm (inches)	Operating Pressure bar (psi)				Kv (m ³ /h)	Cv	Power Rating			Sealings	Catalog Number	Voltage		
		Δp min	Δp max					AC (VA)		DC (W)			12V DC	24V DC	
			Gases		Liquids			Inrush	Holding						
			AC	DC	AC										DC
M5	1.1 (0.043)	0	-	-	0.5 (7.25)	0.5 (7.25)	0.04	0.05	-	-	0.5	FKM	H226A540S0A00	F3	-
					10 (145)	10 (145)							H226A542S0A00	-	F1
					14 (203)	14 (203)							H226A541S0A00	F3	F1
					14 (203)	14 (203)							H226A543S0A00	F3	F1
	2 (0.079)	0	-	-	1.5 (21.8)	1.5 (21.8)	0.10	0.12	-	-	2.5	FKM	H226A549S0A00	-	F1
					4 (58)	4 (58)							H226A551S0A00	F3	F1
					4 (58)	4 (58)							H226A552S0X00	-	F1
					4 (58)	4 (58)							H226A552S0X00	-	F1

Dimensions: mm (inches)



Mounting

- Solenoid valve can be mounted in any position; vertical with coil upwards preferred.