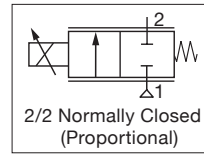
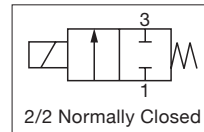


# ASCO™ MINIATURE SOLENOID VALVES

## DENTAL MANIFOLD

- 3 manifolds with the following configurations:
  - Manifold with 2 microactuators 2/2NC (A-P) and 1 total isolation microactuator 2/2NC (W); all direct acting.
  - Manifold with 1 microactuator 2/2NC (A), 1 total isolation microactuator 2/2NC (W) and 1 proportional solenoid valve 2 ways NC (P); all direct acting.
  - Manifold with 1 total isolation direct acting microactuator 2/2NC (W), 1 water channel (P) and 1 air channel (A).
- Compact and versatile version, designed for dental equipments; equipped with 3 flow regulators. The modular system allows the use as single or as a set (max. 4 manifolds); the manifold is delivered with 3 sealing O-rings and joint pin. Heads group kit (feeding and end side) available separately (see details on the back).
- Suitable to shut off liquid (W) and gaseous (A-P) fluids (verify the compatibility of fluid with materials in contact). Pipette Dispensing



**Series 252 D01**



**Series 252 D02**



**Series 252 D03**

Fluids*	Temperature Range	Seal Materials*
Liquids or Gases	-10°C to 90 °C (50°F to 194°F)	EPDM

\* Ensure that the compatibility of the materials in contact with the fluids is verified..

General Valve Information	
Body	POM
Others	Stainless Steel / PA 66 / Brass
Response Time	< 10ms
Max. Viscosity	22 cSt (mm <sup>2</sup> /s)

Electrical Characteristics	
Coil Insulation Class	F
Connector	- DIN 46340 with micro plug connector - Lead Wires
Electrical Safety	EN 60730-1
Electrical Enclosure Protection	IP65 (EN 60529), IP40 (EN 60529)
Standard Voltages*	12 VDC, 24 VDC (-5%/+10%), Proportional valve (P): 70 – 220 mA (24V)

\* Other voltages on request

Coil Type	Power Ratings	Ambient Temperature Range	Protection	Electrical Connection
	W	°C (°F)	VA	W
Standard S0	4	10 to 60 (50 to 140)	IP65	Spade terminals 2.8 x 0.5 (DIN 46340)
Standard L0	4	10 to 60 (50 to 140)	IP65	500mm Lead Wire (for D01 and D03) - 460mm/500mm Lead Wire (for D02)
Proportional S0	5.5	10 to 60 (50 to 140)	IP65	Spade terminals 2.8 x 0.5 (DIN 46340)
Proportional L0	5.5	10 to 60 (50 to 140)	IP65	500mm Lead Wire (for D01 and D03) - 460mm/500mm Lead Wire (for D02)

01074GB-2019-R01

Specifications								
Type	Orifice Size	Flow Coefficient		Operating Pressure. bar (psi)			Power Rating (W)	Catalog Number
				min.	max.			
	mm (inches)	Kv (m <sup>3</sup> /h)	Cv			gases		
D01	1.6 (0.063)	0.030	0.035	0	6 (87)	-	4	6252AD01
	1.8 (0.071)				6 (87)	-	4	
	1.5 (0.059)				-	3 (43.5)	4	
D02	1.6 (0.063)	0.030	0.035	0	6 (87)	-	4	6252AD02
	1.6 (0.063)	-	-		6 (87)	-	5.5	
	1.6 (0.063)	0.030	0.035		-	3 (43.5)	4	
D03	1.5 (0.059)	0.030	0.035	0	-	3 (43.5)	4	6252AD03

**How to Order**

**6 252 A D01 S0 A00 F1**

**Connection Type**

6 = Barb Fitting

**Product Series**

252 = Dental Manifold Module

**Revision**

A = Initial Release

**Pipe Size / Orifice**

D01 = Orifice size: 1.6 / 1.8 / 1.5. 2-Way N.C.

D02 = Orifice size: 1.6 / 1.6 Proportional / 1.5. 2-Way N.C.

D03 = Orifice size: 1.5. 2-Way N.C.

**Voltage**

F1 = 24/DC Class F

F3 = 12/DC Class F

**Options**

A00 = No Options

**Electrical Connection Type**

S0 = Din Type Coil

L0 = 500mm Leaded coil (for D01 and D03)

460mm/500mm Leaded coil (for D02)

**Accessories**

**Heads group kit**

Description	Series	Catalog Number
Heads group kit Consisting of: feeding head, end side head, screw, sealing, pin	252	M252AU529833001

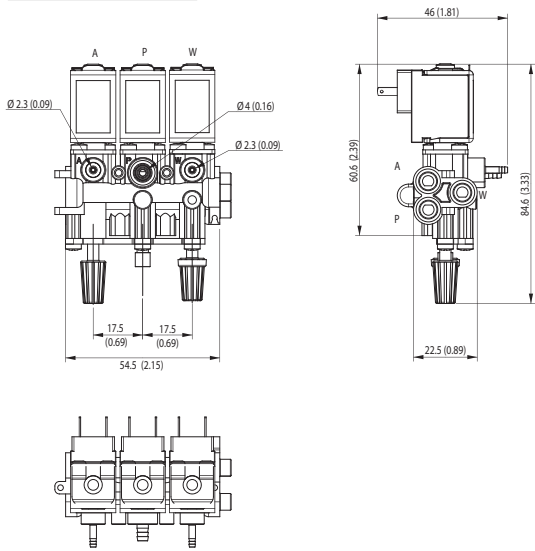
01074GB-2019-R01

# ASCO™ MINIATURE SOLENOID VALVES

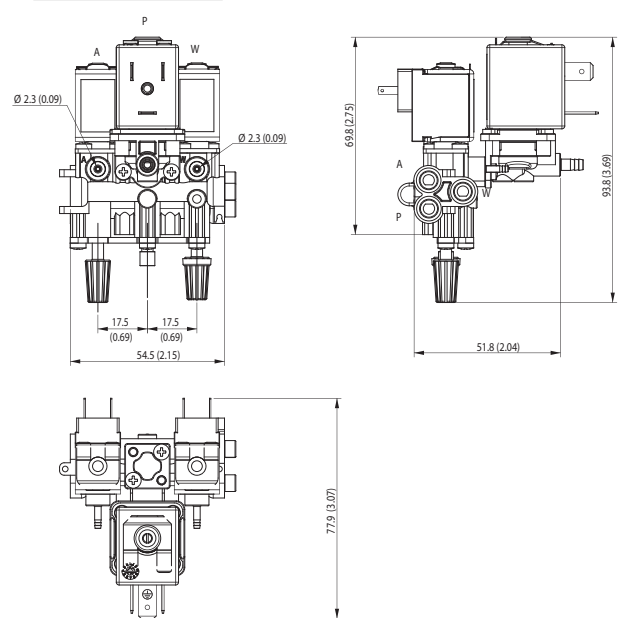
## DENTAL MANIFOLD

Dimensions: mm (inches)

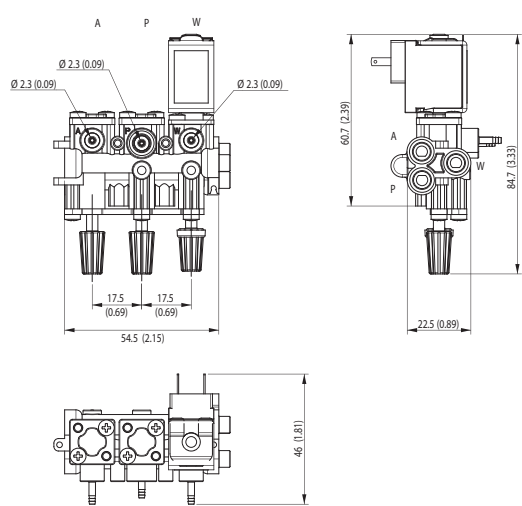
**Type 1 / D01**



**Type 2 / D02**



**Type 3 / D03**



01074GB-2019-R01

