

# ASCO™ Miniature Solenoid Valves

General Service Valves

Series

275 | 375

## Features

- Direct acting solenoid valve
  - Composite body as lead-free alternative to brass
  - Compact design and low power consumption
  - Barbed ports with ring nuts for easy and safe connection of tubing at high pressure
  - Steam valves can handle high pressure and temperatures
  - High resistance to aggressive media
- Typical applications include
  - Dental Sterilizers
  - Benchtop Sterilizers
  - Steam Sterilizers
  - Bio-Medical Analyzers



## General Valve Information

Body	PPS
Seals*	FKM
Internal Components	Stainless Steel, Stainless Steel and PPS
Seat	PPS
Core Tube	Stainless Steel
Shading Coil	Copper
Fluids	Liquids or gases
Fluid Temperature	0°C +130°C
Differential Pressure	see "Specifications" [1 bar = 100 kPa]
Response Time	~ 20ms
Max. Viscosity	37 cSt (mm <sup>2</sup> /s)

\* Ensure that the compatibility of the materials in contact with the fluids is verified

## Electrical Characteristics

<b>Coil Insulation Class</b>	F
<b>Connector</b>	Spade plug (cable Ø 6-8 mm or Ø 6-10 mm)
<b>Connector Specification</b>	DIN 43650, 11 mm, EN 175301-803, form A
<b>Electrical Safety</b>	IEC 335
<b>Electrical Enclosure Protection</b>	Moulded IP67 (EN 60529) with plug-connector
<b>Standard Voltages</b>	DC (=): 12 - 24V (+10% -5%)
( Other voltages and frequencies on request)	AC (~): 24V/50 - 110V/50 Hz 230V/50-60 Hz (+10% -15%)

Operator Ambient Temperature Range °C (°F)	Type	Power Ratings			Replacement Coils		
		Holding ~		Hot/Cold =	~	=	
		(VA)	(W)	(W)	230 V/50-60Hz	24 VDC	12 VDC
-10 to +60 (14 to 140)	S0	-	-	5.0	-	533593-001	533593-004
		9.0	9.0	9.0	533593-003	533593-002	533593-005
	L0	-	-	5.0	-	533598-001	-
		-	-	9.0	-	533598-002	-

Availability, design and specifications are subject to change without notice. All rights reserved.

### Specifications

Series	Function	Pipe Connection	Orifice Size in mm (inches)	Flow Coefficient in Kv (in Cv)	Operating Pressure Gas in bar (in psi)	Operating Pressure Liquid in bar (in psi)	Power Rating AC (VA)	Power Rating DC (W)
275	2/2 NC	G 1/8, Barbed Ports or Barbed Ports with ring nut	1.6 mm (0.06 in)	0.09 (0.10)	0 - 10 (0 - 145)	0 - 10 (0 - 145)	9	5
		G 1/8, Barbed Ports or Barbed Ports with ring nut	2.3 mm (0.09 in)	0.15 (0.17)	0 - 10 (0 - 145)	0 - 10 (0 - 145)	9	5
		G 1/8, Barbed Ports or Barbed Ports with ring nut	3.2 mm (0.13 in)	0.25 (0.29)	0 - 10 (0 - 145) 0 - 6 (0 - 87) for DC coils	0 - 10 (0 - 145) 0 - 6 (0 - 87) for DC coils	9	5
	2/2 NO	Barbed Ports	2.5 mm (0.10 in)	0.14 (0.16)	0 - 5 (0 - 72.5)	0 - 5 (0 - 72.5)	9	9
		G 1/8 or Barbed Ports Barbed Ports with ring nut	3.0 mm (0.12 in)	0.18 (0.21) 0.15 (0.17)	0 - 2.5 (0 - 36.2)	0 - 2.5 (0 - 36.2)	9	9
		Barbed Ports G 1/4	4.2 mm (0.17 in)	0.26 (0.30) 0.33 (0.38)	0 - 2.5 (0 - 36.2)	0 - 2.5 (0 - 36.2)	9	9
375	3/2 U	G 1/8 or Barbed Ports	2.3 mm (0.09 in)	0.2 (0.23)	0 - 4 (0 - 58)	0 - 4 (0 - 58)	9	9
		Barbed Ports with ring nut		0.12 (0.14)				

### How to Order

**Fluid Connection Type**          **G**          **275**          **A**          **100**          **S0**          **V00**          **F1**

**Fluid Connection Type**  
 G = G ISO Connection  
 6 = Barbed Fitting  
 0 = Nut for Tube

**Product Series**  
 275 = 275 Series (2-Way)

**Revision**  
 A = Initial Release

**Item ID** \_\_\_\_\_

**Voltage**  
 F1 = 24 V DC Class F  
 F3 = 12 V DC Class F  
 FH = 230V/50-60Hz  
 F0 = 110 V / 50 Hz (120 V / 60 Hz)  
 FQ = 24V/50-60Hz

**Sealing and Options**  
 V00 = FKM

**Electrical Connection Type**  
 S0 = Spade Plug without Connector  
 S1 = Spade Plug with Connector  
 L0 = Flying Leads

Item	Service	Orifice Size	Wattage AC	Wattage DC
100	NC	1.6	-	5.0
101	NC	2.3	-	5.0
102	NC	3.2	-	5.0
110	NC	1.6	9.0	9.0
111	NC	2.3	9.0	9.0
112	NC	3.2	9.0	9.0
200	NO	3.0	9.0	9.0
201 <sup>(1)</sup>	NO <sup>(1)</sup>	4.2 <sup>(1)</sup>	9.0 <sup>(1)</sup>	9.0 <sup>(1)</sup>
202 <sup>(2)</sup>	NO <sup>(2)</sup>	4.2 <sup>(2)</sup>	9.0 <sup>(2)</sup>	9.0 <sup>(2)</sup>

Note:  
 (1) Connection type G 1/4" only  
 (2) Connection type 6 only

**Fluid Connection Type**          **G**          **375**          **A**          **300**          **S0**          **V00**          **F1**

**Fluid Connection Type**  
 G = G ISO Connection  
 6 = Barbed Fitting  
 0 = Nut for Tube

**Product Series**  
 375 = 375 Series (3-Way)

**Revision**  
 A = Initial Release

**Item ID** \_\_\_\_\_

**Voltage**  
 F1 = 24 V DC Class F  
 F3 = 12 V DC Class F  
 FH = 230V/50-60Hz  
 F0 = 110 V / 50 Hz (120 V / 60 Hz)  
 FQ = 24V/50-60Hz

**Sealing and Options**  
 V00 = FKM

**Electrical Connection Type**  
 S0 = Spade Plug without Connector  
 S1 = Spade Plug with Connector  
 L0 = Flying Leads

Item	Service	Orifice Size
300	U	2.3

# ASCO™ Miniature Solenoid Valves

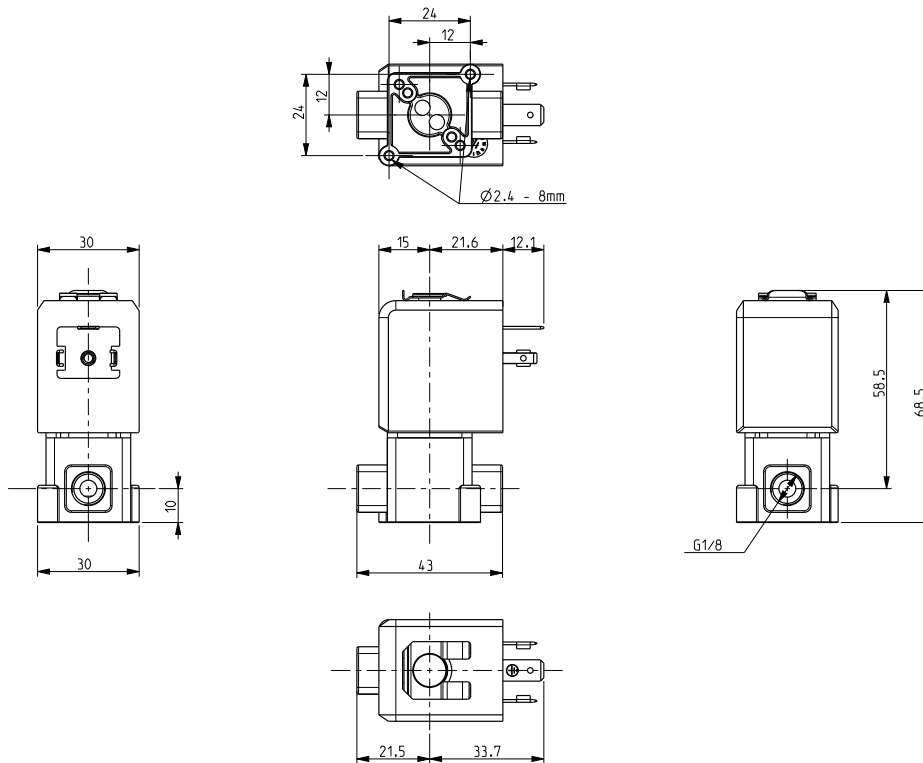
General Service Valves

Series

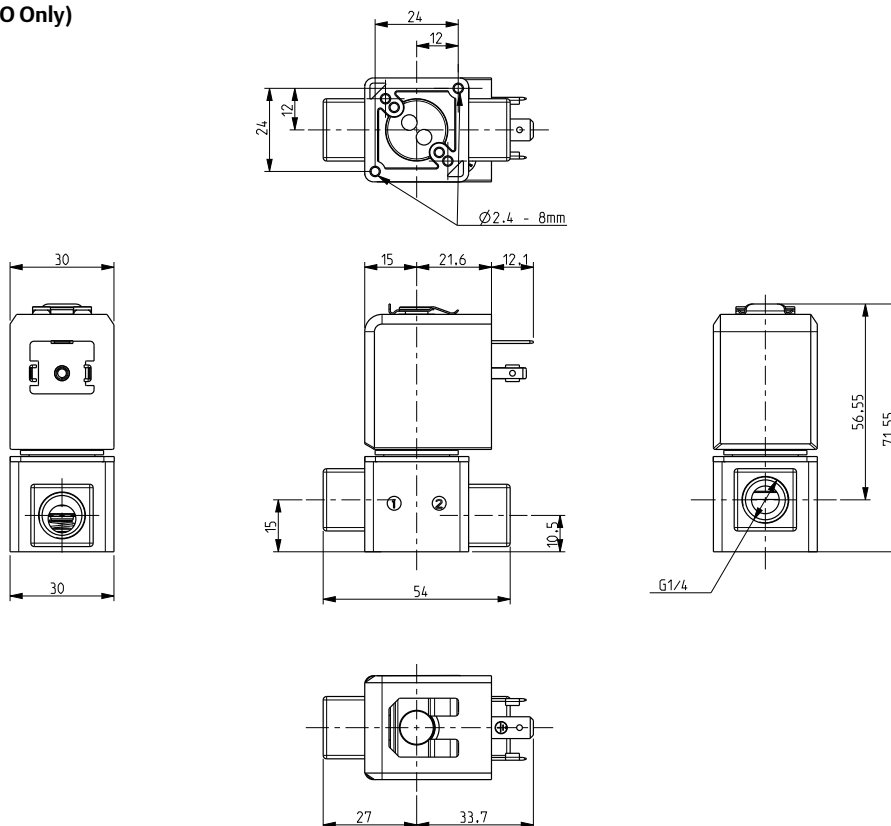
## 275 | 375

### Dimensions (mm)

#### Series 275 G1/8 Connection

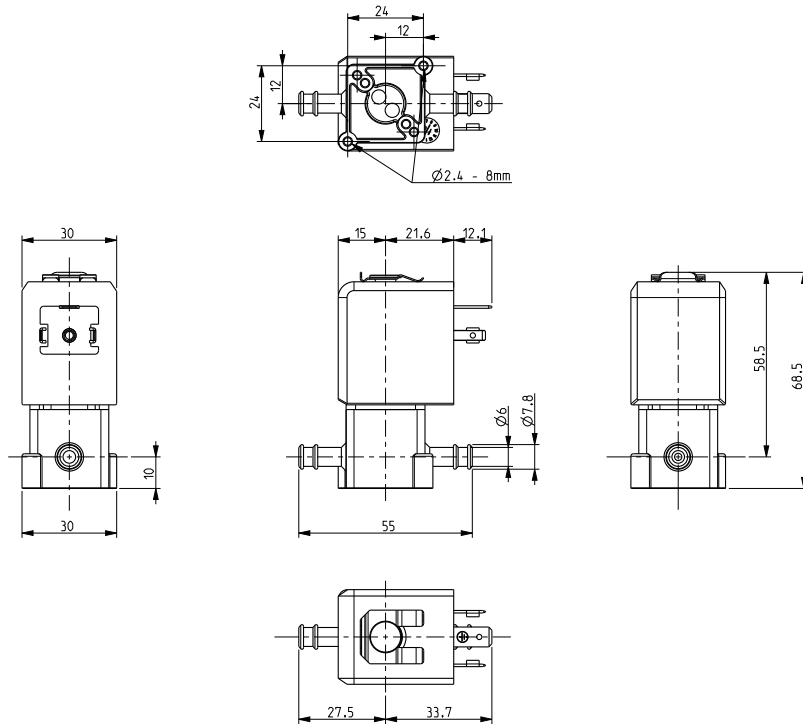


#### Series 275 G1/4 Connection (2/2 NO Only)

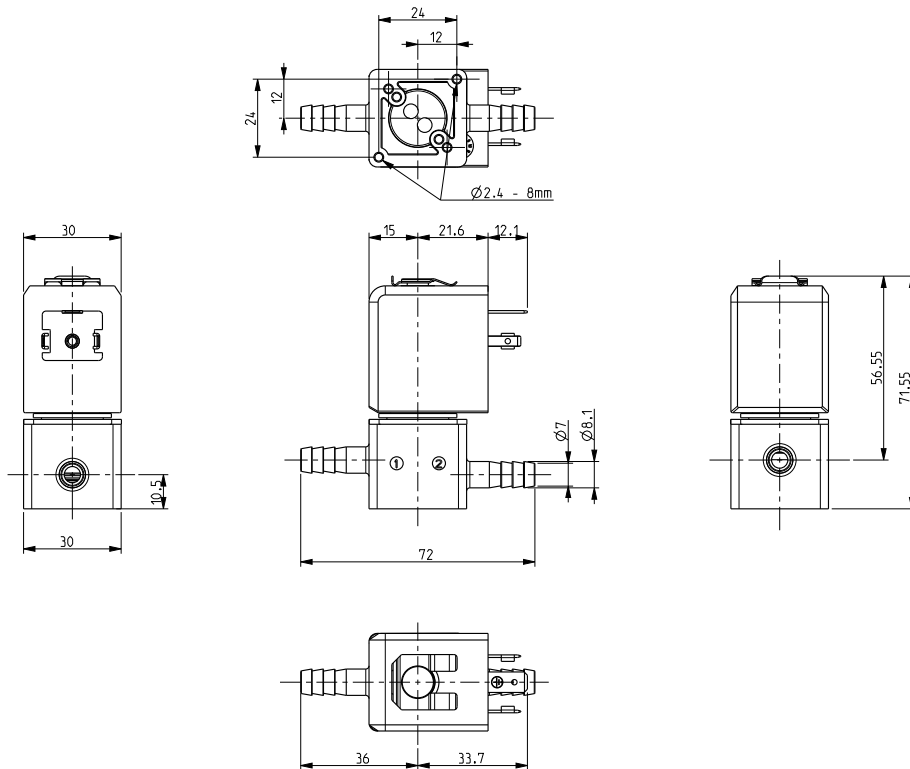


**Dimensions (mm)**

**Series 275**  
**Barbed Ports (2/2 NC)**



**Series 275**  
**Barbed Ports (2/2 NO)**



# ASCO™ Miniature Solenoid Valves

General Service Valves

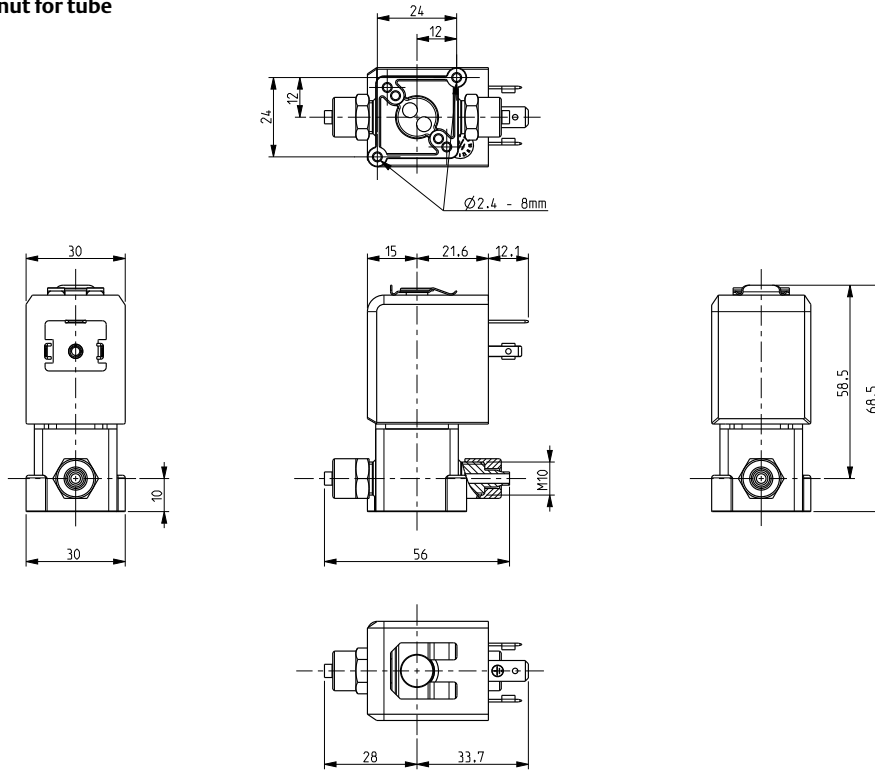
Series

## 275 | 375

### Dimensions (mm)

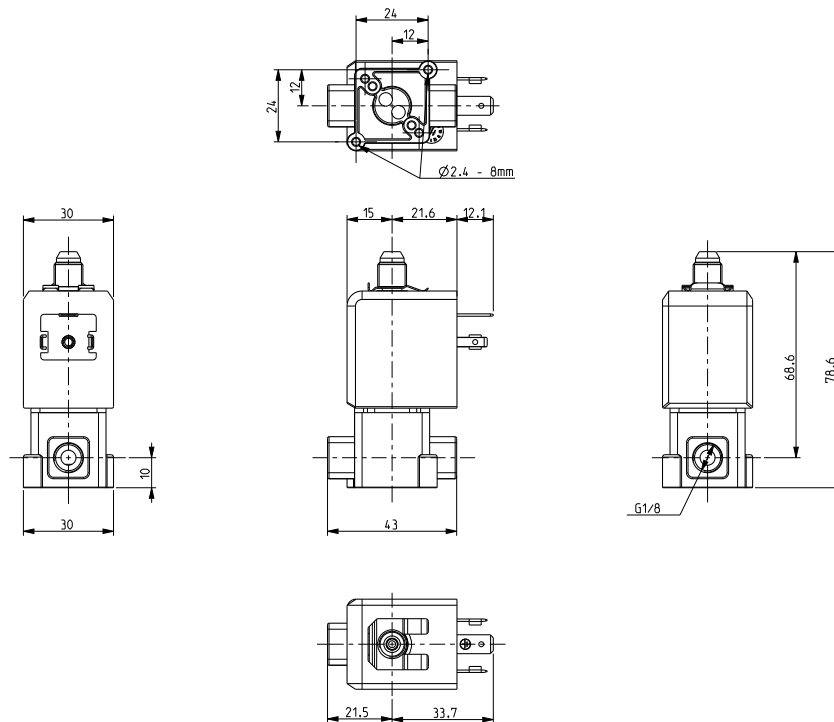
#### Series 275

Barbed Ports with ring nut for tube



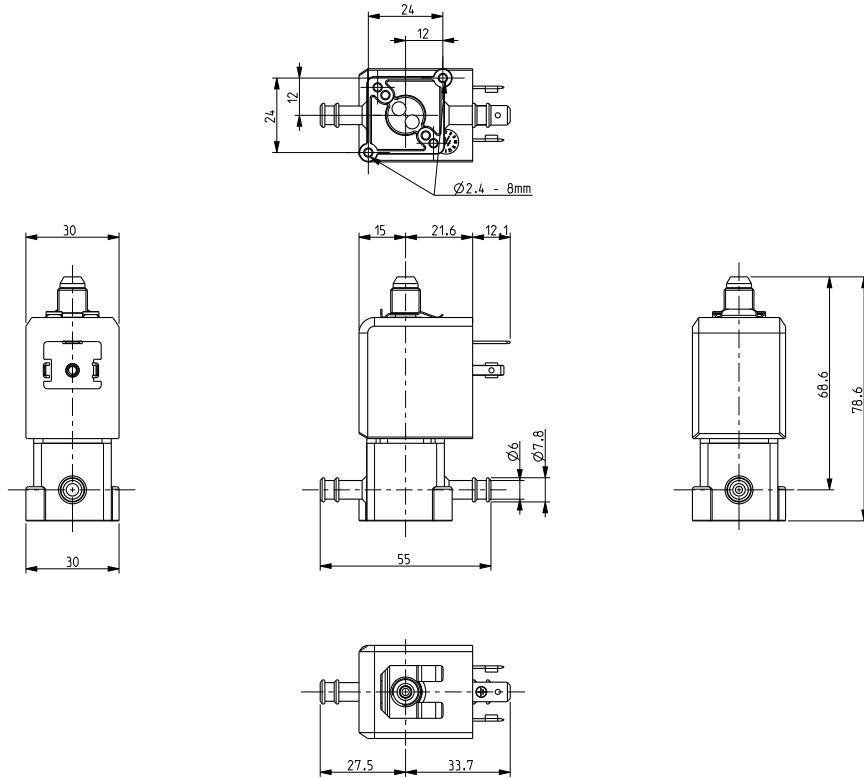
#### Series 375

G 1/8 Connection



**Dimensions (mm)**

**Series 375**  
**Barbed Ports**



**Series 375**  
**Barbed Ports with ring nut for tube**

