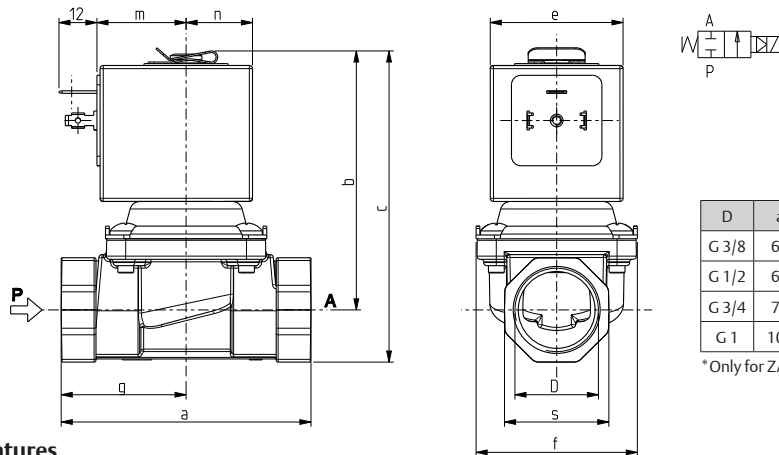


# ASCO™ SOLENOID VALVE

## 2/2 NORMALLY CLOSED – PILOT OPERATED HUNG DIAPHRAGM - G3/8 ÷ 1

**SERIES**  
**L133**



D	a	b	c	e	f	m	n	s	g
G 3/8	60	67,5	78,7	30	40,2	21,6	15*	22	25,5
G 1/2	66	67,5	78,7	30	40,2	21,6	15*	27	-
G 3/4	79	81	98	42	51	28	21	33	-
G 1	105	100	121	48,6	71	35	24,3	42	46

\*Only for ZA10B n=19,9

### General Features

Pilot operated hung diaphragm valve with full orifice.  
Designed for closed circuit hydraulic systems and for vessels draining.  
Suitable to shut off liquid and gaseous fluids (verify the compatibility of fluid with materials in contact).

Technical Features	
Maximum allowable pressure (PS)	16 bar
Opening time	from ~100ms to ~150ms
Closing time	from ~100ms to ~400ms
Fluid temperature	-10°C +90°C (NBR) 0°C +130°C (FPM) -10°C +140°C (EPDM)*
Max viscosity	5°E (~37 cStokes or mm²/s)

\* Maximum operating temperature 85°C in compliance with WRAS approval

Materials in Contact with Fluid	
Body	Brass
Sealing	NBR or FPM or EPDM
Internal components	Stainless steel and PPS (G3/8 – G1/2) Stainless steel and brass (G3/4 – G1)
Seat	Brass
Core tube	Stainless steel
Shading coil	Copper (except L133(*)17)

Coil	ZA10A	ZA10B	Z130A	Z923A/E
Approval	UL (class F) – for UL cl.H: ZA34*			-
Continuous duty	ED 100%			
Encapsulation material	PPS (Polyphenylsulfure) fiberglass reinforced	PET (polyethylene terephthalate) fiberglass reinforced	PPS (Polyphenylsulfure) fiberglass reinforced	
Insulation class	F (155°C) on request class H (180°C)		F (140°C) on request class H (165°C)	H (165°C)
Ambient temperature	-10°C +50°C		-10°C +60°C	-10°C +80°C
Electric connections	DIN 46340 - 3 poles connectors (EN175301-803)			
Protection degree	IP 67 (EN 60529) with plug connector		IP 65 (EN 60529) with plug connector	
Voltages	DC	12-24V (+10% -5%)		
	AC	24V/50Hz - 110V/50Hz (120V/60Hz) - 230V/50Hz (+10% -15%) (Other voltages and frequencies on request)		

\*only for ZA10A

Port size ISO 228	Orifice size (mm)	Differential pressure (bar)	Kv (m³/h)	Series and type		Power absorption			Sealings	Notes	Weight (kg)
				Valve	Coil	AC (VA)		DC (W)			
						Inrush	Holding				
G3/8	12.5	0	2	L133(*)16	ZA10A	23	14	9	(*) = B (NBR)	1	0.340
					ZA10B	-	-	10		(*) = V (FPM)	-
				L133(*)16	ZA10A	23	14	9	(*) = D (EPDM)		1-2
					ZA10B	-	-	10		2	0.420
G1/2	17	0	2.2	L133(*)16	Z130A	44	24	13	(*) = B (NBR)	2	0.790
					Z923E	65	33	-		(*) = V (FPM)	-
G3/4	17	0	4.5	L133(*)16	Z130A	44	24	13	(*) = B (NBR)		2
					Z923E	65	33	-		(*) = V (FPM)	-
G1	24	0	9	L133(*)16	Z923A	-	-	17	(*) = V (FPM)		-
					Z923A	-	-	17		-	1,810

### Notes

- Sealings : NBR = Nitrile-butylene elastomer FPM = Fluoro-carbon elastomer EPDM = Ethylene-propylene elastomer
- The nominal flow is guaranteed with  $\Delta p_{min} \geq 0,3$  bar. Contact us in case of lower  $\Delta p_{min}$  values.
- UL approved coil (E153691)
- 1 - IMQ CSV approval, see ZA10 datasheet for further details
- 2 - WRAS approved solenoid valve (certificate n. 20009050)

**ASCO**

www.Emerson.com/asco

**EMERSON**

**BCAE**  
Automation Solutions

青岛秉诚自动化设备有限公司  
地址：中国·青岛市重庆南路99号海尔云街甲3号楼7F

服务热线：4006-918-365  
网址：http://www.ivalve.cc

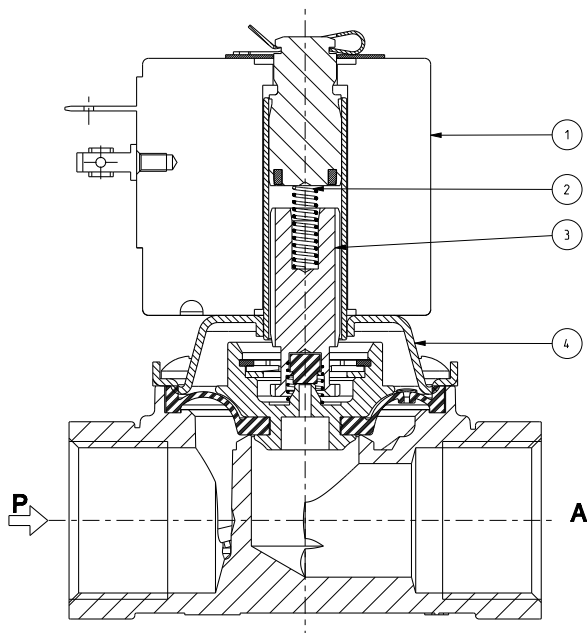
传真：(86-532)585-10-365  
Email：sales@bechinas.com

**SERIES**  
**L133**

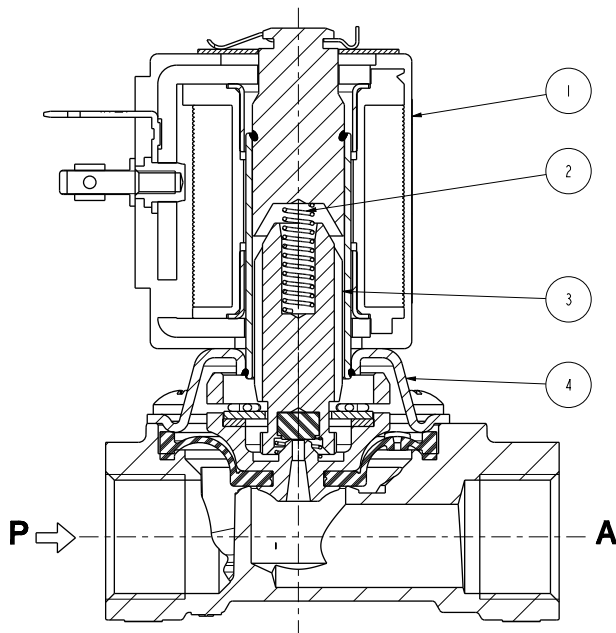
**ASCO™ SOLENOID VALVE**  
2/2 NORMALLY CLOSED – PILOT OPERATED HUNG DIAPHRAGM - G3/8 ÷ 1

**Spare Parts**

L133B06 - V06 - B07 - V07 - B16 - V16 - D16



L133B17 - V17 - D17



Kit description	Port Size	Model	Kit P.N.	Consisting of:
Core diaphragms kit	G 3/8 - 1/2	L133B16	G3145301	Core return spring pos. 2 Diaphragm assembly with core assembly pos. 3
		L133V16	G3145302	
		L133D16	G3145303	
		L133B17	G3145201	
		L133V17	G3145202	
		L133D17	G3145203	
	G 3/4	L133V07	G2990202	
		L133B07	G2990201	
	G 1	L133V06	G2991902	
		L133B06	G2991901	
Core return spring kit	G 3/8 - 1/2	L133B/V/D16/17	G434623	N.10 core return spring pos. 2
	G 3/4	L133B-V07	G2918601	
	G 1	L133B-V06	G2955801	
Guide assembly kit	G 3/8 - 1/2	L133B/V/D16	G31496	Guide assembly pos. 4 Coil clip
		L133B/V/D17	G31497	
Guide assembly	G 3/4	L133B-V07	3077701R	Guide assembly pos. 4
	G 1	L133B-V06	2408202R	
Coil	G 3/8 - 1/2	L133B/V/D16	ZA10A	Coil pos. 1
		L133B/V/D17	ZA10B	
	G 3/4	L133B-V07	Z130A	
	G 1	L133B-V06 (AC)	Z923E	
		L133B-V06 (DC)	Z923A	

**Installation**

- Solenoid valve can be mounted in any position; vertical with coil upwards preferred.

THE VALIDITY OF REPORTED DATA IS REFERRED TO THE DATE OF ISSUE. POSSIBLE UPDATES ARE AVAILABLE ON REQUEST