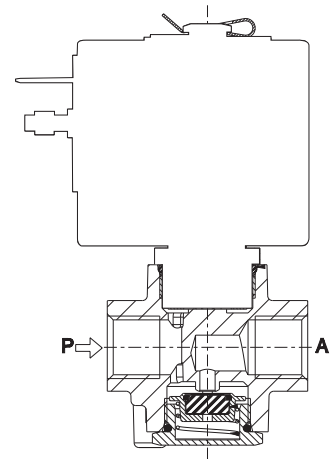
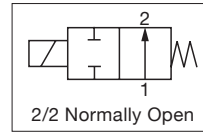


# ASCO™ MINIATURE SOLENOID VALVES

## GENERAL SERVICE VALVES

**SERIES**  
**L256**

- Direct acting solenoid valve, suitable for vacuum at port "P" (PA – PP = 1 bar)
- Suitable to shut off liquid and gaseous fluids (verify the compatibility of fluid with materials in contact), particularly suitable in the applications in sterilising autoclaves.
- Typical applications include:
  - Oil burners
  - Air compressor
  - Water steam sterilizers,
  - Gas oil burners
  - Naphta burners



General Valve Information	
Body	Brass or chemically nickel coated (Ni-P) brass
Seals*	FKM, Stainless steel or CR70N
Internal Components	Stainless Steel
Seat	Brass or Stainless Steel
Core Tube	Stainless Steel
Shading coil	Copper
Fluids	Liquids or gases
Fluid temperature	-10°C +170°C (stainless steel) 0°C +130°C (FKM) -10°C +90°C (CR70N)
Differential pressure	see "Specifications" [1 bar = 100 kPa]
Response time	~ 20-30ms
Max. Viscosity	37 cSt (mm²/s)

\* Ensure that the compatibility of the materials in contact with the fluids is verified

Electrical Characteristics			
	ZA130A	ZA10A (UL class F - for UL cl.H: ZA34 (E153691))	
Continuous duty	ED 100%	ED 100%	
Coil Insulation Class	F (140°C), on request class H (165°C) - UL	F (155°C) on request class H (180°C)	
Connector	DIN 46340 - 3 pole connector (DIN 43650)	DIN 46340 - 3 pole connector (DIN 43650)	
Encapsulation material	PET (polyethylene terephthalate) fiberglass reinforced	PPS (polyphenylsulfure) fiberglass reinforced	
Electrical Enclosure Protection	Molded IP65 (EN 60529)	IP67 (EN60529) with plug connector	
Standard Voltages *	DC	12-24 V (+10% -5%)	12-24 V (+10% -5%)
	AC	24V/50Hz - 110V/50Hz (120V/60Hz) - 230V/50Hz (+10% -15%)	24V/50Hz - 110V/50Hz (120V/60Hz) - 230V/50Hz (+10% -15%)

\*Other voltages and frequencies on request

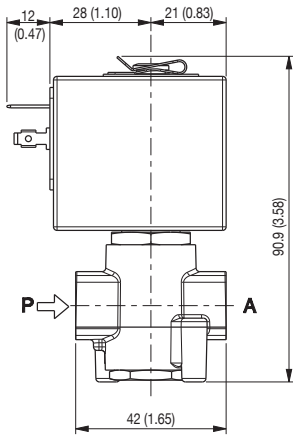
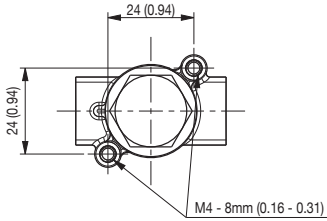
Specifications														
Pipe Connection	Orifice Size	Flow Coefficient		Operating Pressure bar			Power Rating (W)			Catalog Number		Body Material	Seat Materials	Sealing Materials
				min.	max.		AC (VA)		DC (W)	Threaded Body				
					Gases	Liquids	Inrush	Holding			Coil			
mm	Kv	Cv												
G 1/4	3	0.22	0.25	0	-	30	44	24	13	L256M02	Z130A	Brass	Stainless Steel	Stainless Steel
	3.2	0.3	0.35		12	10				L256V01			Brass	FKM
	4.5	0.45	0.52		5	4								
G 1/4	3.2	0.3	0.35	0	4	4	23	14	9	L256V12 (*)	ZA10A	Chemically nickel coated (Ni-P) brass	Stainless Steel	FKM
	4.5	0.45	0.52		2.5	2.5				L256V14 (*)			Brass	
										L256V12				
G1/8	1.6	0.08	0.09	0	25	22	23	14	9	L256N07	ZA10A	Brass	Brass	CR70N
1/4 NPT	3.2	0.3	0.35	0	12	10	44	24	13	L256V09	Z130A	Brass	Brass	FKM

(\*) Only for use with steam, consider following values: max pressure 2.8 bar (max fluid temperature 130° C)

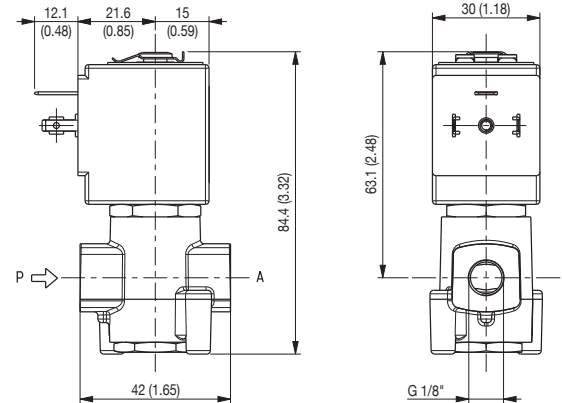
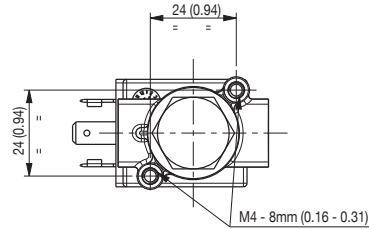
01090GB-2019-F01

Dimensions: mm (inches)

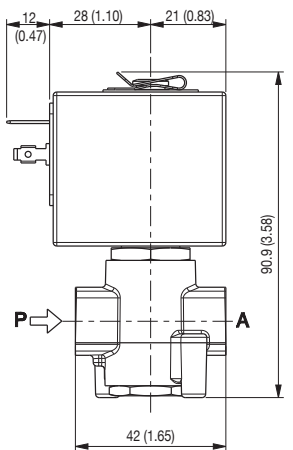
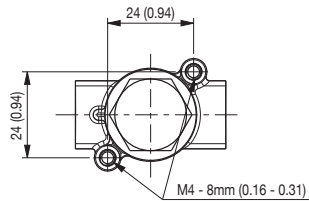
**L256V01 / L256MO2**



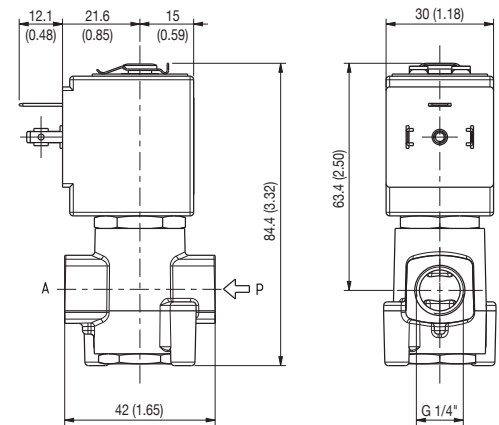
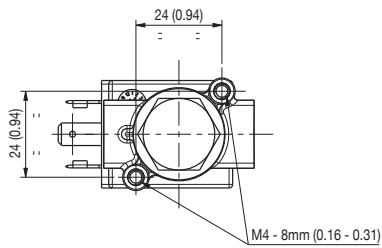
**L256N07**



**L256V09**



**L256V12 / L256V14**



01090GB-2019-F01

## Spare Part Kits

### L256V01 / L256M02

Kit description	Model	Diameter	Kit P.N.	Consisting of:
Core sealing assembly kit	L256M02		G3093201	Sealing group
	L256V01	Ø 3.2	G3093101	Sealing return spring
	L256V01	Ø 4.5	G3093104	OR cap
OR guide assembly kit			GU2424000017	N°.10 OR guide assembly
OR cap kit			GU2424000155	N°.10 OR cap
Coil			Z130A	Coil

### L256N07

Kit description	Kit P.N.	Consisting of:
Sealing assembly kit	G3093103	Sealing group Sealing return spring OR cap
OR guide assembly kit	GU2445000017	N°.10 OR guide assembly
OR cap kit	GU2445000155	N°.10 OR cap
Coil	ZA10A	Coil

### L256V09

Kit description	Kit P.N.	Consisting of:
Core sealing assembly kit	G3093101	Sealing group Sealing return spring OR cap
OR guide assembly kit	GU2424000017	N°.10 OR guide assembly
OR cap kit	GU2424000155	N°.10 OR cap
Coil	Z130A	Coil

### L256V12 / L256V14

Kit description	Kit P.N.	Consisting of:
Sealing assembly kit	G3124301	Sealing group Sealing return spring OR cap
OR guide assembly kit	GU2424000017	N°.10 OR guide assembly
OR cap kit	GU2424000155	N°.10 OR cap
Coil	ZA10A	Coil

## Installation

- Solenoid valve can be mounted in any position; vertical with coil upwards preferred.

