

Series PE2



AVENTICS™ Series PE2









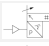
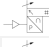


Pressure sensor, Series PE2

- Operating pressure -1 ... 10 ... 16 bar
- electronic
- Output signal analog 1 x PNP, 1 x analog 4-20 mA
- Electr. connection Plug M12x1 5-pin
- Compressed air connection Internal thread G 1/4 Flange with O-ring Ø 5x1,5



Type	electronic
Function	1 x PNP, 2 x PNP 1x PNP and 1x analog
Mounting orientation	Any
Certificates	CE declaration of conformity, EMV
Working pressure min./max.	See table below
Ambient temperature min./max.	-10 ... 75 °C
Medium temperature min./max.	-10 ... 75 °C
Medium	Compressed air, Neutral gases
Measurement	Relative pressure
Display	OLED
Units displayed	bar mbar psi kPa MPa %
Switching logic	Hysteresis function NO/NC (programmable) Window function NO/NC (programmable)
Operating pressure display	2 LED
Shock resistance max.	30 g
Vibration resistance	5 g (10 - 150 Hz)
Precision (% of full scale value)	± 1 % including temperature drift
Switching time	10 ms at loads 100 kΩ > 10 ms at loads > 100 kΩ
Switching point	Adjustable ≥ 0.5% ... 100% FS
Resetting point	Adjustable 0% FS to SP -0.5% FS (or +0.5% FS when SP 0)
Hysteresis	adjustable
Switching/reset delay	adjustable
DC operating voltage min./max.	15 ... 32 V DC
Analog output	1 x PNP, 1 x analog 4-20 mA
Quiescent current consumption	50 mA
Maximum load (analog current output)	600 Ω
Short circuit resistance	short circuit resistant
Mounting types	via through holes
Protection class	IP65
Electr. connection	Plug M12x1 5-pin
Weight	0.3 kg

Technical data

Part No.		Type	Operating pressure range
			min./max.
R412010848		PE2-P1-G014-V10-010-M012	-1 ... 1 bar
R412010849		PE2-P1-F001-V10-010-M012	-1 ... 1 bar
R412010853		PE2-P2-G014-V10-010-M012	-1 ... 1 bar
R412010856		PE2-PA-G014-V10-010-M012	-1 ... 1 bar
R412010850		PE2-P1-G014-000-160-M012	0 ... 16 bar
R412010851		PE2-P1-F001-000-160-M012	0 ... 16 bar
R412010854		PE2-P2-G014-000-160-M012	0 ... 16 bar
R412010855		PE2-P2-F001-000-160-M012	0 ... 16 bar
R412010857		PE2-PA-G014-000-160-M012	0 ... 16 bar
R412010858		PE2-PA-F001-000-160-M012	0 ... 16 bar

Part No.	Protection against overpressure	Output signal	Output signal	Compressed air connection
		Analog	digital	
R412010848	10 bar	-	1 x PNP	Internal thread, G 1/4
R412010849	10 bar	-	1 x PNP	Flange with O-ring, Ø 5x1,5
R412010853	10 bar	-	2 x PNP	Internal thread, G 1/4
R412010856	10 bar	4 ... 20 mA	1 x PNP	Internal thread, G 1/4
R412010850	40 bar	-	1 x PNP	Internal thread, G 1/4
R412010851	40 bar	-	1 x PNP	Flange with O-ring, Ø 5x1,5
R412010854	40 bar	-	2 x PNP	Internal thread, G 1/4
R412010855	40 bar	-	2 x PNP	Flange with O-ring, Ø 5x1,5
R412010857	40 bar	4 ... 20 mA	1 x PNP	Internal thread, G 1/4
R412010858	40 bar	4 ... 20 mA	1 x PNP	Flange with O-ring, Ø 5x1,5

Part No.	Fig.
R412010848	Fig. 1
R412010849	Fig. 2
R412010853	Fig. 1
R412010856	Fig. 1
R412010850	Fig. 1
R412010851	Fig. 2
R412010854	Fig. 1
R412010855	Fig. 2
R412010857	Fig. 1
R412010858	Fig. 2

Technical information

Menu navigation is based on the VDMA specification with an additional plain text menu.

Technical information

Material	
Housing	Aluminum, Vibration-ground
Seals	Fluorocaoutchouc
Electr. connection	Aluminum with polymer insert
flange connection	Nitrile butadiene rubber, Fluorocaoutchouc

Dimensions

Fig. 1

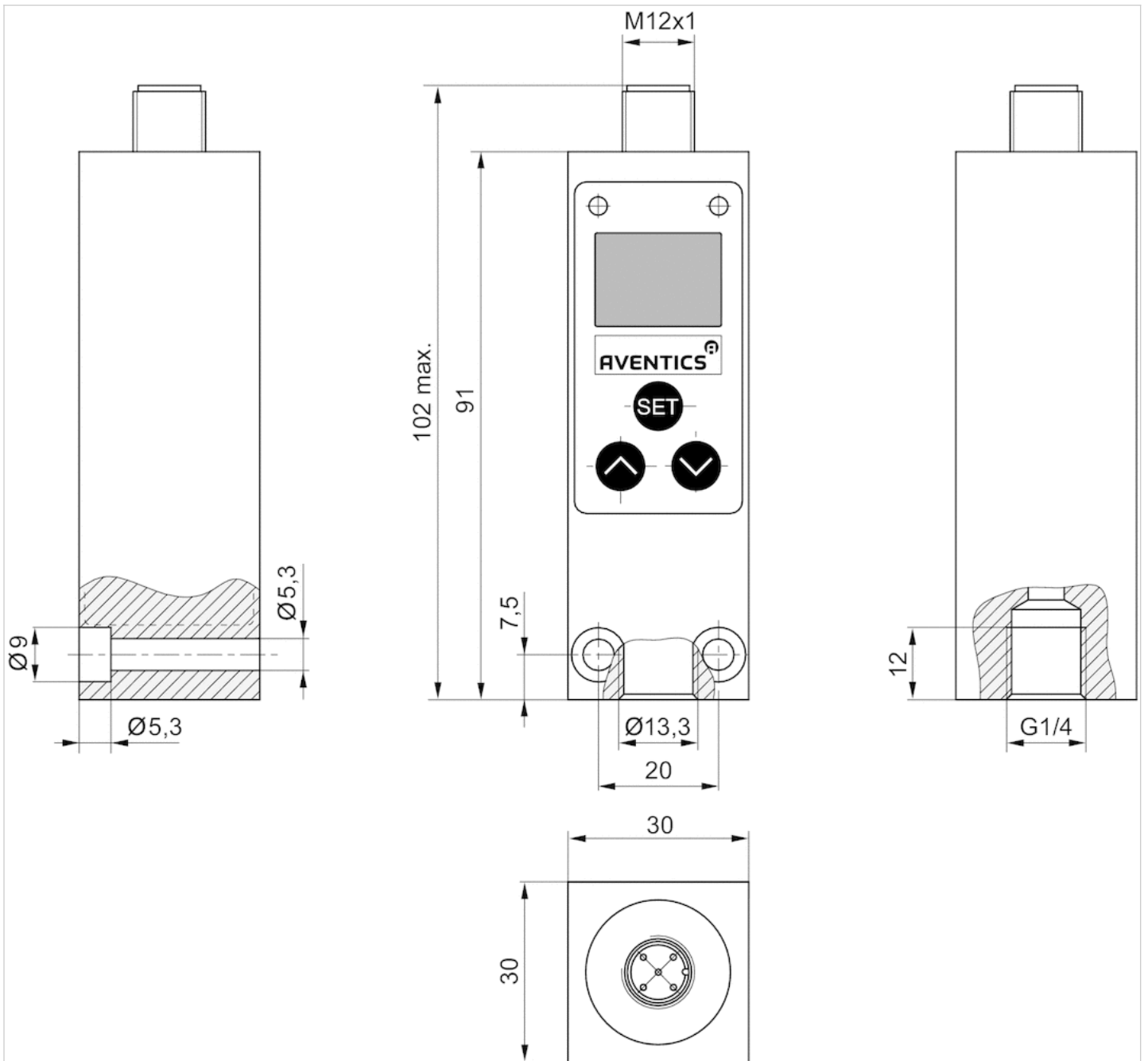
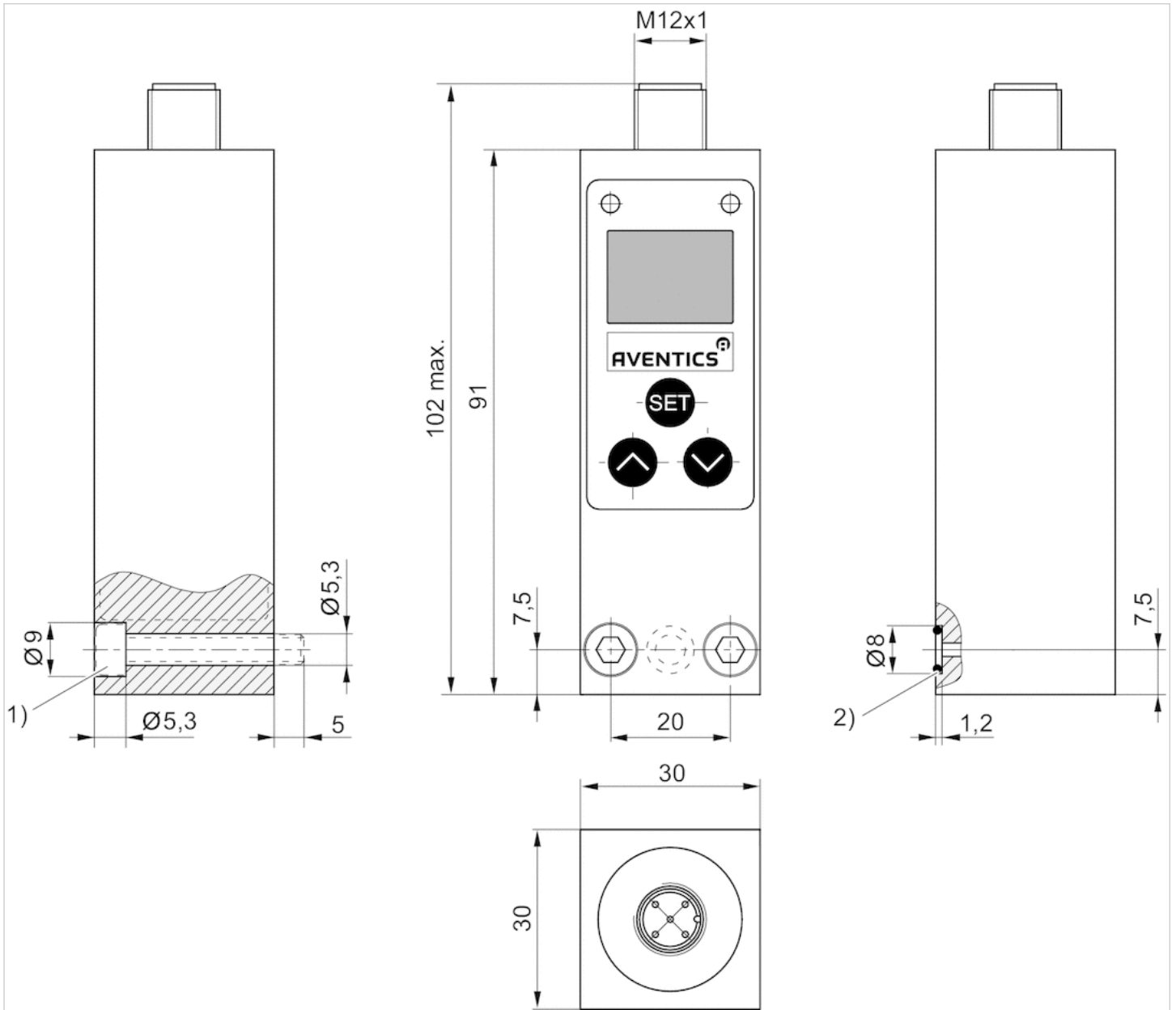
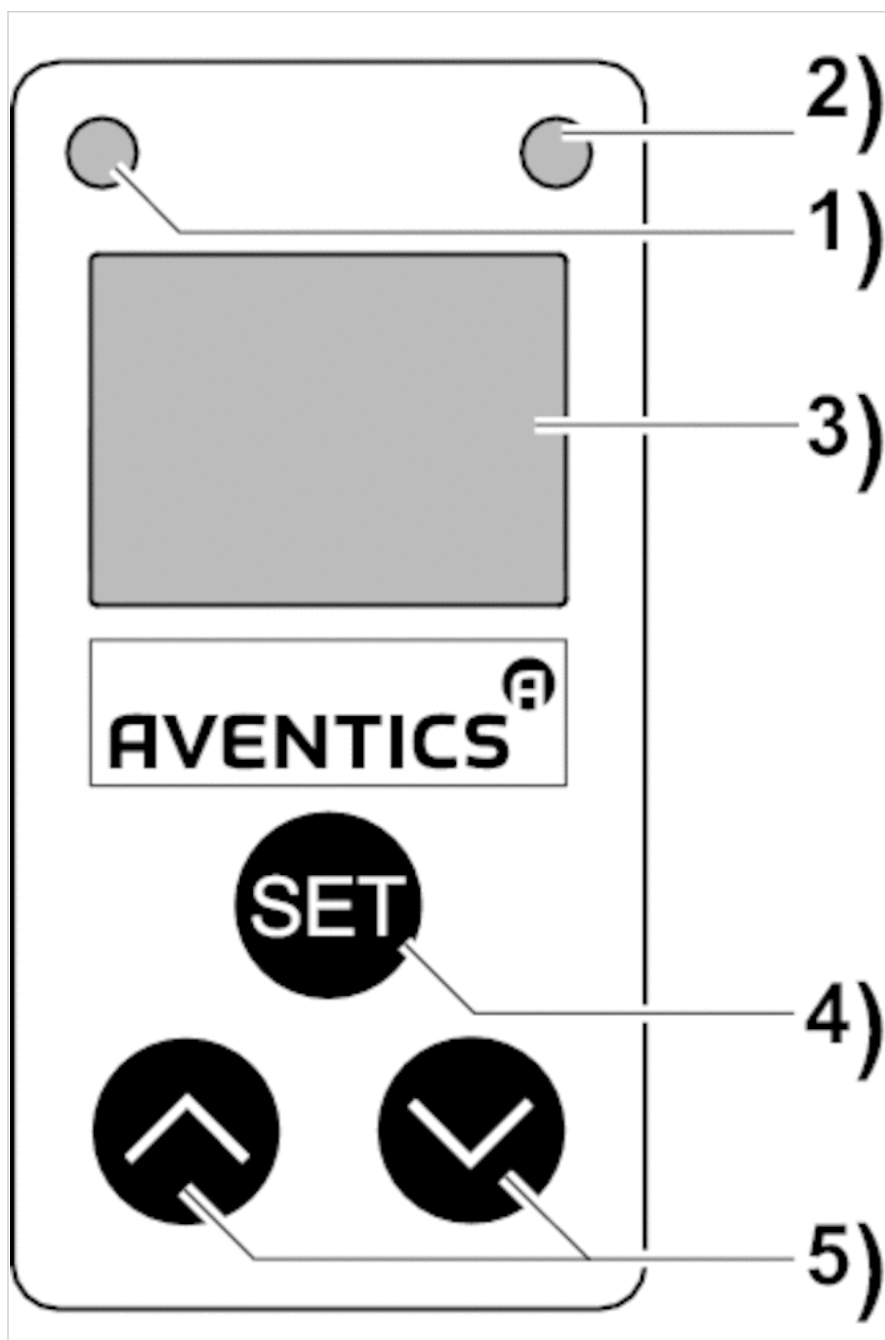


Fig. 2



- 1) cylinder screw M5x35 (included in scope of delivery)
- 2) O-ring $\varnothing 5 \times 1,5$ (included)

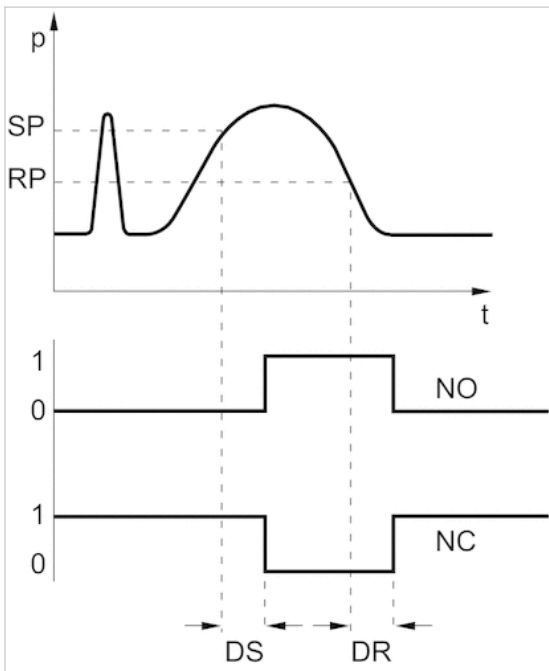
Display and operation area



- 1) LED for switch output 1
- 2) LED for switch output 2
- 3) Display (pressure, operating modes, navigation)
- 4) Confirm menu/menu item selection
- 5) Button for menu item/parameter change selection

Diagrams

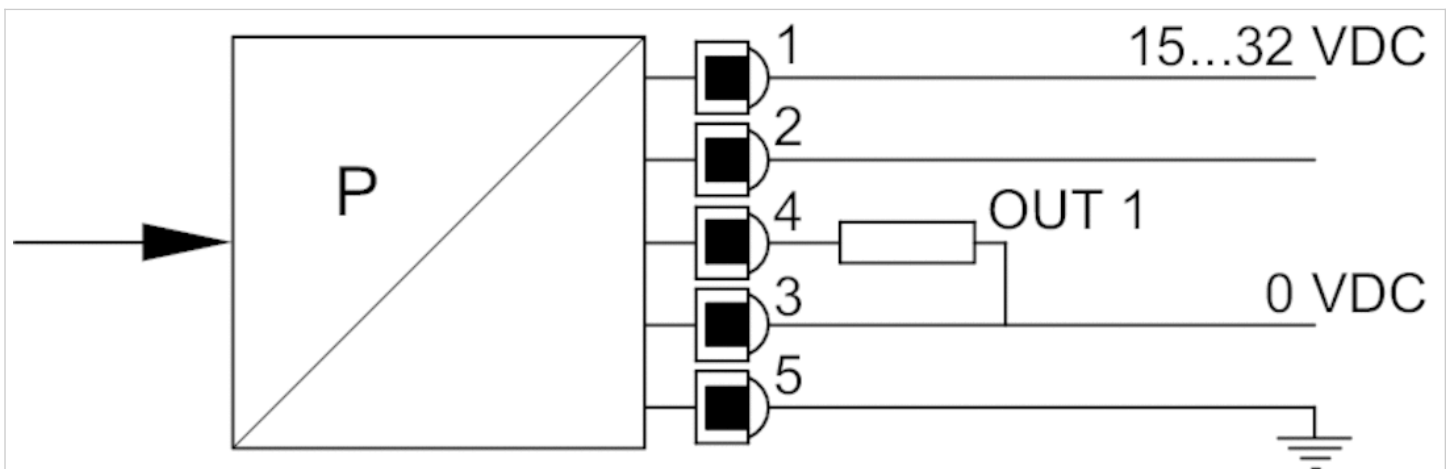
Pressure-voltage characteristics curve



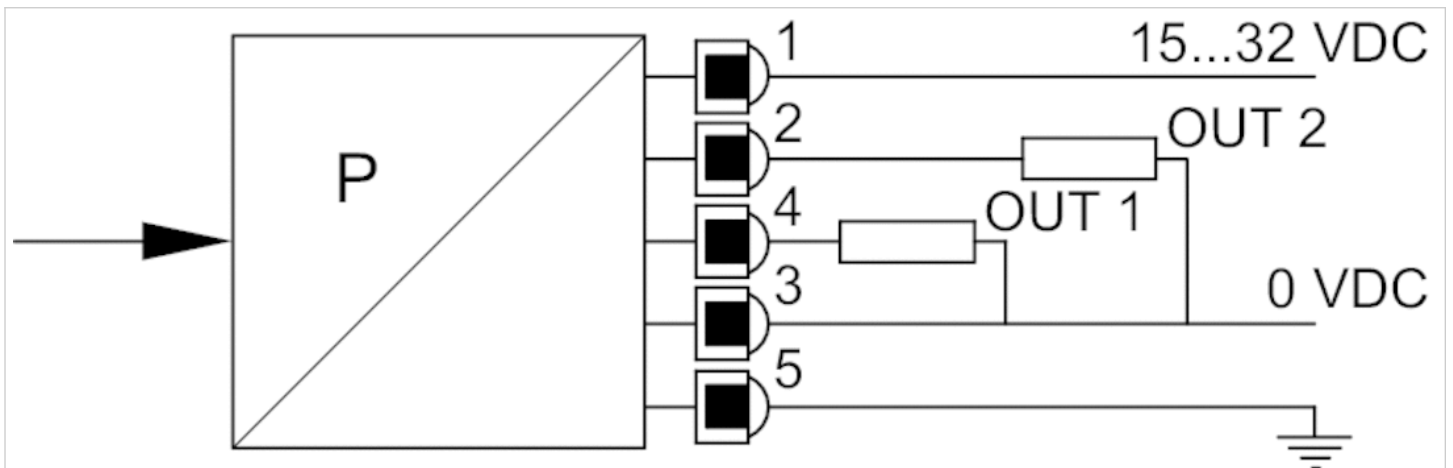
SP = switching point
 RP = resetting point
 NO = Switching function open
 NC = Switching function closed without current
 DS = Delay for the switching point
 DR = Delay for the resetting point

Circuit diagram

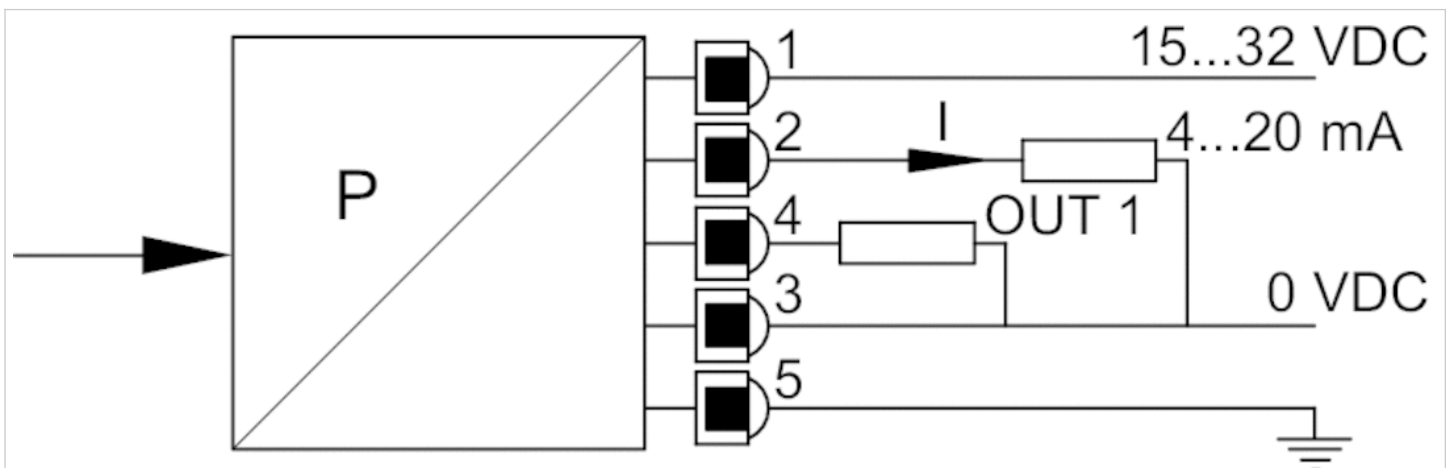
Block diagram, 1 x PNP



Block diagram, 2 x PNP

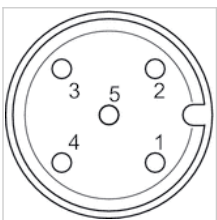


Block diagram, 1x PNP and 1x analog



Pin assignments

Pin assignments



pin 1: signal + UB, color: brown pin 2: signal: out 2 (PNP)/analog 4 - 20 mA, color: white pin 3: signal: 0 volt, color: blue pin 4: signal: out 1 (PNP), color: black pin 5: signal: FE, color: gray

Double nipple, Series PE5

- External thread



Weight per piece

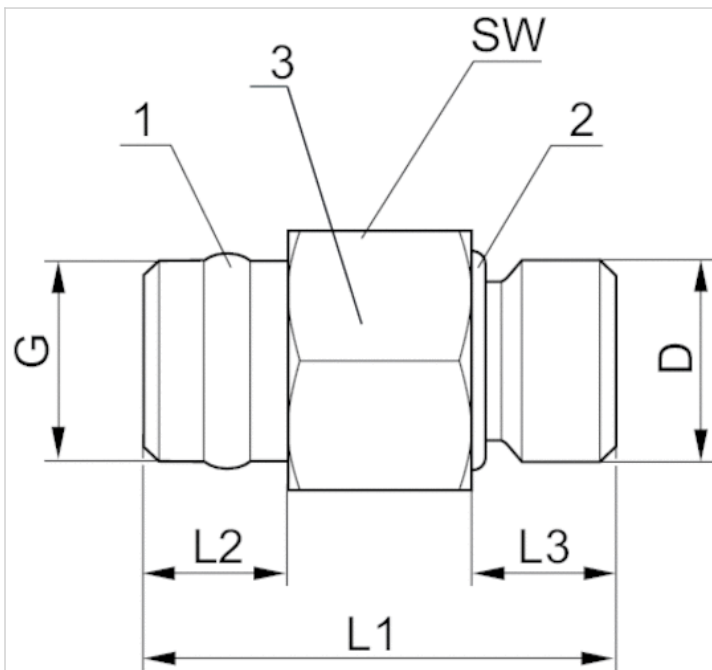
0.04 kg

Technical data

Part No.	Port G	Port D	Delivery unit
R412010015	G 1/4	G 1/8	2 piece
R412010016	G 1/4	G 1/4	2 piece

Dimensions

Dimensions



- 1) sealing ring Polytetrafluorethylen
- 2) O-ring - acrylonitrile butadiene rubber
- 3) Housing - brass, nickel-plated

Dimensions

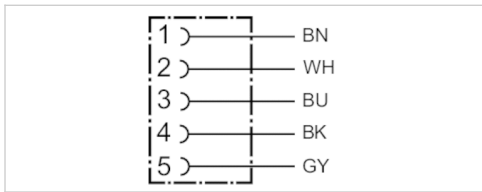
Part No.	Port G	Port D	L1	L2	L3	SW
R412010015	G 1/4	G 1/8	30	10	8.5	17
R412010016	G 1/4	G 1/4	30	10	8.5	17

Round plug connector, Series CON-RD

- Socket M12x1 5-pin A-coded angled 90°
- open cable ends
- with cable
- shielded



Ambient temperature min./max.	-25 ... 80 °C
Operational voltage	48 V AC/DC
Protection class	IP67
Wire cross-section	0.34 mm ²
Weight	See table below



Technical data

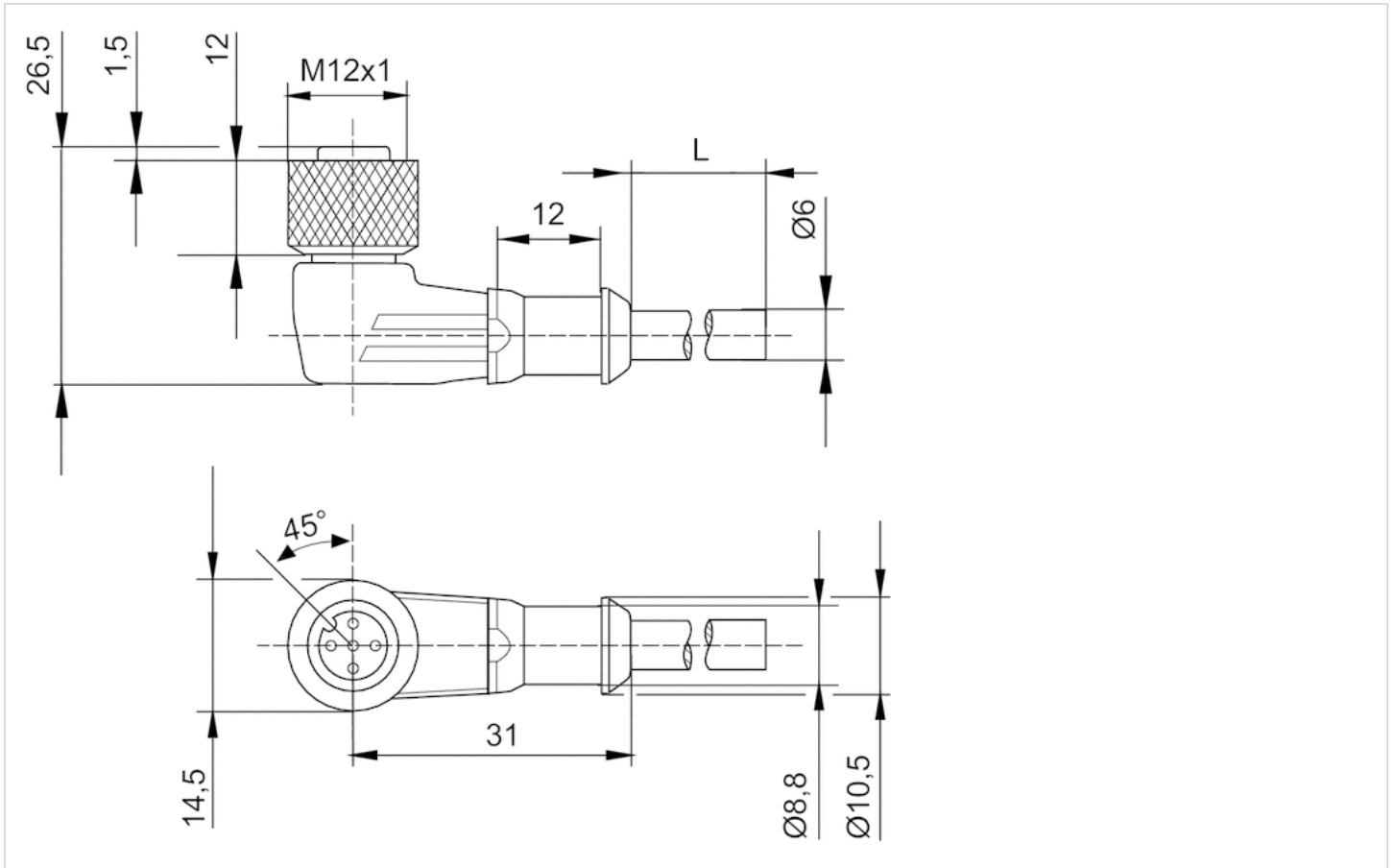
Part No.	Max. current	Number of wires	Cable-Ø	Cable length	Weight
R419800109	4 A	5	6 mm	2.5 m	0.145 kg
R419800110	4 A	5	6 mm	5 m	0.27 kg
R419800546	4 A	5	6 mm	10 m	0.514 kg

Technical information

Material	
Housing	Thermoplastic elastomer
Cable sheath	Polyurethane

Dimensions

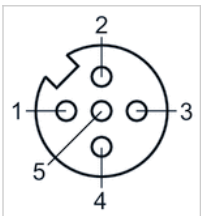
Dimensions



L = length

Pin assignments

Pin assignment, socket



- (1) BN=brown
- (2) WH=white
- (3) BU=blue
- (4) BK=black
- (5) GY=grey

Round plug connector, Series CON-RD

- Plug M12x1 5-pin A-coded straight 180°
- open cable ends 5-pin
- with cable
- unshielded

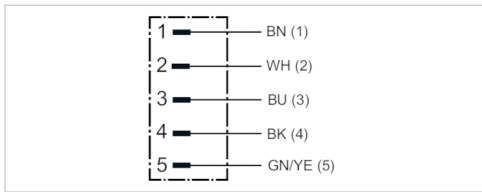


Protection class
Weight

IP68

See table below

The delivered product may vary from that in the illustration.



Technical data

Part No.	Number of wires	Cable length	Weight
8946203432	5	2 m	0.102 kg
8946203442	5	5 m	0.238 kg

with self-clinching screw

Technical information

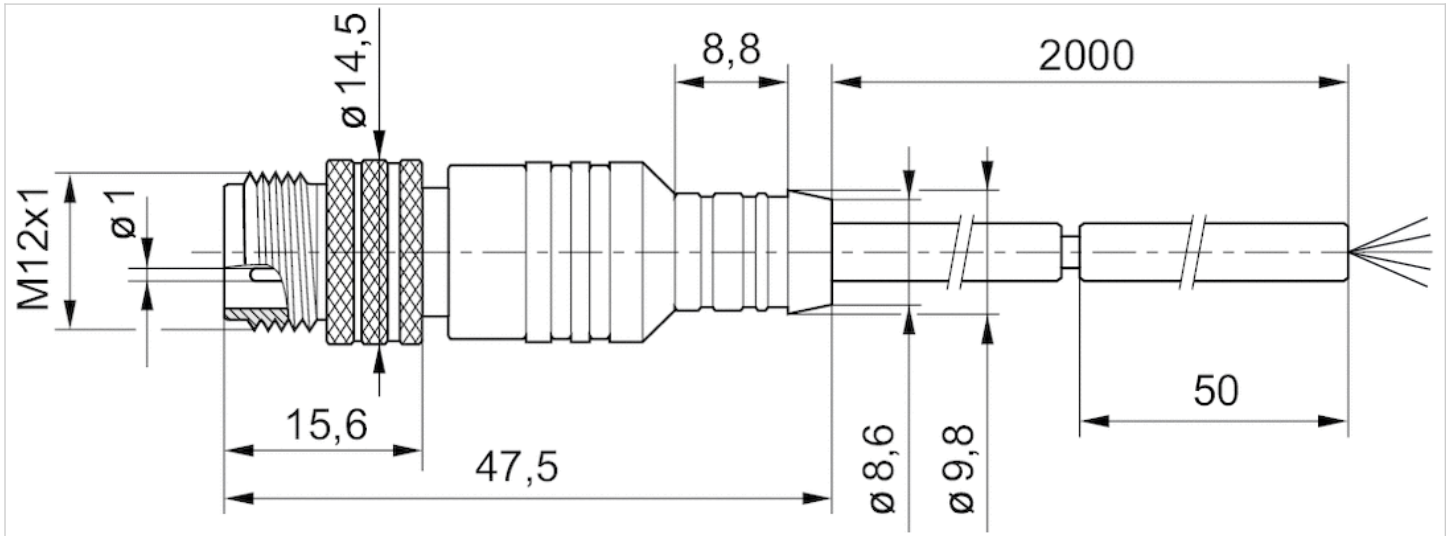
The specified protection class is only valid in assembled and tested state.

Technical information

Material	
Cable sheath	Polyvinyl chloride

Dimensions

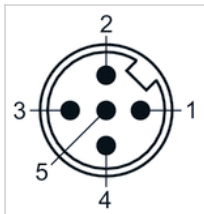
Dimensions



L = length

Pin assignments

Plug pin assignment



- (1) BN=brown
- (2) WH=white
- (3) BU=blue
- (4) BK=black
- (5) GRN-Y=green-yellow

Double nipple

- External thread
- G 1/4
- External thread
- G 1/8 G 1/4
- FPT-S-RDO



Working pressure min./max. 0 ... 16 bar
 Ambient temperature min./max. -20 ... 80 °C

Technical data

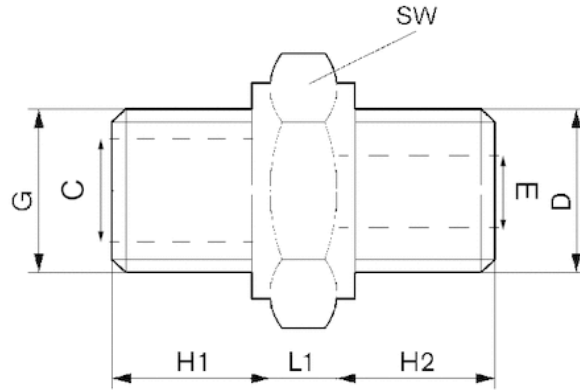
Part No.	Port G	Port D	Delivery unit
1823391016	G 1/4	G 1/8	10 piece
1823391017	G 1/4	G 1/4	10 piece

Technical information

Material	
Material	Brass, nickel-plated
Seal	Polyvinyl chloride, hard

Dimensions

Dimensions



Dimensions

Part No.	Port D	Port G	ØC	ØE	H1	H2	L1	SW
1823391016	G 1/8	G 1/4	8	5	10	7	5	17
1823391017	G 1/4	G 1/4	8	7.5	10	10	5	17

Efficient pneumatic solutions, our program: cylinders and drives, valves and valve systems, air supply management



Visit us: Emerson.com/Aventics

Your local contact: Emerson.com/contactus



Emerson.com



Facebook.com/EmersonAutomationSolutions



LinkedIn.com/company/Emerson-Automation-Solutions



Twitter.com/EMR_Automation

An example configuration is depicted on the title page. The delivered product may thus vary from that in the illustration. Subject to change. This Document, as well as the data, specifications and other information set forth in it, are the exclusive property of AVENTICS GmbH. It may not be reproduced or given to third parties without its consent. Only use the AVENTICS products shown in industrial applications. Read the product documentation completely and carefully before using the product. Observe the applicable regulations and laws of the respective country. When integrating the product into applications, note the system manufacturer's specifications for safe use of the product. The data specified only serve to describe the product. No statements concerning a certain condition or suitability for a certain application can be derived from our information. The information given does not release the user from the obligation of own judgment and verification. It must be remembered that the products are subject to a natural process of wear and aging.

The Emerson logo is a trademark and service mark of Emerson Electric Co. Brand logotype are registered trademarks of one of the Emerson family of companies. All other marks are the property of their respective owners. © 2017 Emerson Electric Co. All rights reserved.
2019-03



CONSIDER IT SOLVED™



青岛秉诚自动化设备有限公司
地址：中国·青岛市重庆南路99号海尔云街甲3号楼7F

服务热线：4006-918-365
网址：<http://www.ivalve.cc>

传真：(86-532)585-10-365
Email：sales@bechinas.com