

## Series QR1-S Mini



AVENTICS™ Series QR1-S Mini



# Series QR1-S-MAN Mini

- Straight fitting with hexagon head
- External thread
- M3 M5 M6 G 1/8
- push-in fitting
- Ø 3 Ø 4 Ø 6
- QR1-S-MAN



Working pressure min./max.	-0.95 ... 10 bar
Ambient temperature min./max.	0 ... 60 °C
Weight per piece	See table below

## Technical data

Part No.	Port G	Port D	Delivery unit	Weight per piece
R412005116	M3	Ø 3	25 piece	0.001 kg
R412005117	M3	Ø 4	25 piece	0.003 kg
R412005118	M5	Ø 3	25 piece	0.003 kg
R412005119	M5	Ø 4	25 piece	0.003 kg
R412005120	M5	Ø 6	25 piece	0.004 kg
R412005121	M6	Ø 3	25 piece	0.003 kg
R412005122	M6	Ø 4	25 piece	0.003 kg
R412005123	M6	Ø 6	25 piece	0.004 kg
R412005124	G 1/8	Ø 4	25 piece	0.006 kg
R412005125	G 1/8	Ø 6	25 piece	0.005 kg

## Technical information

The series QR1 (plastic) and QR2 (metal) can not be combined  
Thread seal with captive O-ring

For further information about assembling and tolerances of adaptable tubing can be found in the "Technical information" document (available in the MediaCentre).

## Technical information

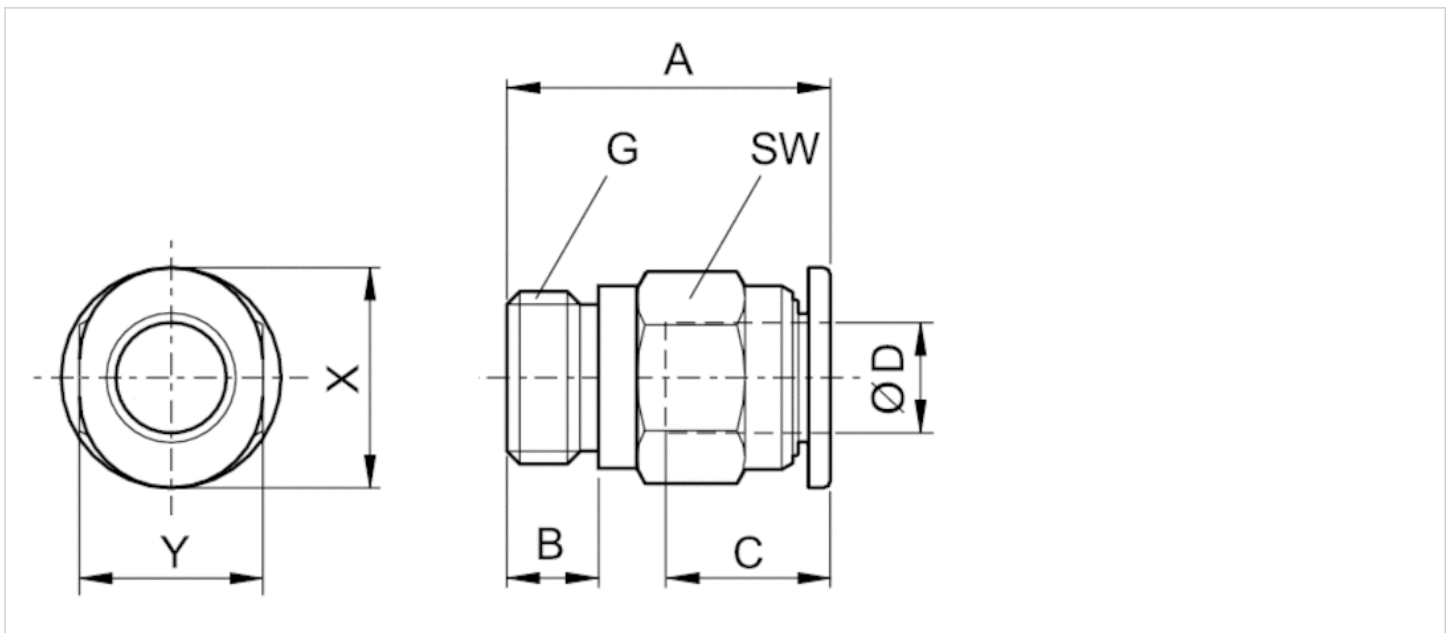
### Material

Material	nickel-plated
Housing	Brass, nickel-plated

Material	
Seal	Acrylonitrile butadiene rubber
Tooth lock washer	Stainless steel
Release ring	Polyoxymethylene
Release ring holder	Die cast zinc Brass, nickel-plated
Thread	Brass, nickel-plated

## Dimensions

### Dimensions



## Dimensions

Part No.	Port D	Port G	A	B	C	SW	X	Y
R412005116	Ø 3	M3	13.6	3	9.5	6	7	6
R412005117	Ø 4	M3	17.2	3	11.5	8	10	8
R412005118	Ø 3	M5	16.2	4	9.5	8	7	6
R412005119	Ø 4	M5	16.2	4	11.5	8	10	8
R412005120	Ø 6	M5	17.3	4	12.5	10	12	10
R412005121	Ø 3	M6	17	5	9.5	8	7	6
R412005122	Ø 4	M6	17.4	5	11.5	8	10	8
R412005123	Ø 6	M6	18.3	5	12.5	10	12	10
R412005124	Ø 4	G 1/8	12.7	5	11.5	10	10	8
R412005125	Ø 6	G 1/8	14.9	5	12.5	10	12	10

## Series QR1-S-MIN Mini

- Straight fitting with hexagon socket
- External thread
- M3 M5 M6 M7 G 1/8
- push-in fitting
- Ø 3 Ø 4 Ø 6
- QR1-S-MIN



Working pressure min./max.	-0.95 ... 10 bar
Ambient temperature min./max.	0 ... 60 °C
Weight per piece	See table below

### Technical data

Part No.	Port G	Port D	Delivery unit	Weight per piece
R412005264	M3	Ø 3	25 piece	0.002 kg
R412005265	M3	Ø 4	25 piece	0.003 kg
R412005266	M5	Ø 3	25 piece	0.004 kg
R412005267	M5	Ø 4	25 piece	0.004 kg
R412005268	M5	Ø 6	25 piece	0.004 kg
R412005269	M6	Ø 3	25 piece	0.004 kg
R412005270	M6	Ø 4	25 piece	0.004 kg
R412005271	M6	Ø 6	25 piece	0.004 kg
R412005272	M7	Ø 4	25 piece	0.004 kg
R412005273	M7	Ø 6	25 piece	0.006 kg
R412005274	G 1/8	Ø 4	25 piece	0.006 kg
R412005275	G 1/8	Ø 6	25 piece	0.004 kg

### Technical information

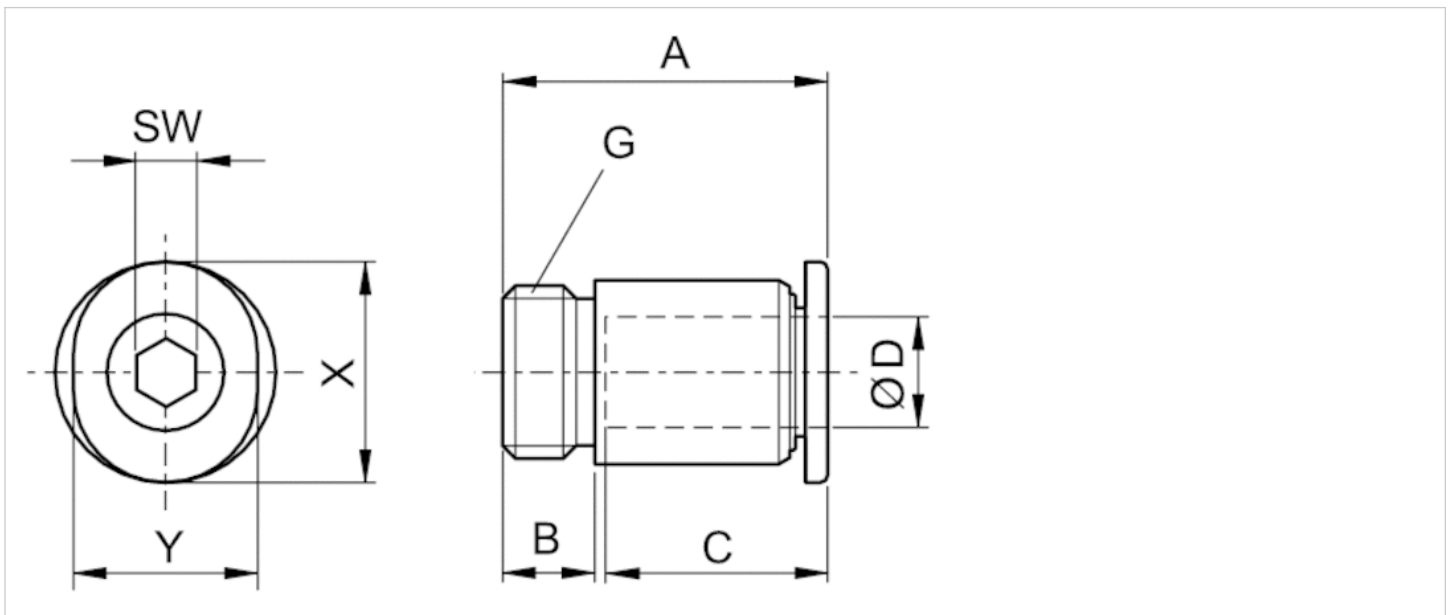
The series QR1 (plastic) and QR2 (metal) can not be combined  
Thread seal with captive O-ring

For further information about assembling and tolerances of adaptable tubing can be found in the "Technical information" document (available in the MediaCentre).

## Technical information

Material	
Material	nickel-plated
Housing	Brass, nickel-plated
Seal	Acrylonitrile butadiene rubber
Tooth lock washer	Stainless steel
Release ring	Polyoxymethylene
Release ring holder	Die cast zinc Brass, nickel-plated
Thread	Brass, nickel-plated

## Dimensions



## Dimensions

Part No.	Port D	Port G	A	B	C	SW	X	Y
R412005264	Ø 3	M3	15.9	3	9.5	1.5	7	6
R412005265	Ø 4	M3	18	3	11.5	1.5	10	8
R412005266	Ø 3	M5	18	4	9.5	2	7	6
R412005267	Ø 4	M5	16.3	4	11.5	2.5	10	8
R412005268	Ø 6	M5	17.8	4	12.5	2.5	12	10
R412005269	Ø 3	M6	20.2	5	9.5	3	7	6
R412005270	Ø 4	M6	20.2	5	11.5	3	10	8
R412005271	Ø 6	M6	18.8	5	12.5	3	12	10
R412005272	Ø 4	M7	21.4	5	11.5	3	10	8
R412005273	Ø 6	M7	20.1	5	12.5	3	12	10
R412005274	Ø 4	G 1/8	17	5	11.5	3	10	8
R412005275	Ø 6	G 1/8	20.6	5	12.5	4	12	10



## Series QR1-S-MVT Mini

- Elbow fitting
- External thread
- M3 M5 M6 M7 G 1/8
- push-in fitting
- Ø 3 Ø 4 Ø 6
- QR1-S-MVT



Working pressure min./max.	-0.95 ... 10 bar
Ambient temperature min./max.	0 ... 60 °C
Weight per piece	See table below

### Technical data

Part No.	Port G	Port D	Delivery unit	Weight per piece
R412005284	M3	Ø 3	25 piece	0.002 kg
R412005285	M3	Ø 4	25 piece	0.003 kg
R412005286	M5	Ø 3	25 piece	0.003 kg
R412005287	M5	Ø 4	25 piece	0.003 kg
R412005288	M5	Ø 6	25 piece	0.004 kg
R412005289	M6	Ø 3	25 piece	0.003 kg
R412005627	M6	Ø 6	25 piece	0.005 kg
R412005628	M6	Ø 4	25 piece	0.004 kg
R412005377	M7	Ø 4	25 piece	0.005 kg
R412005378	M7	Ø 6	25 piece	0.006 kg
R412005379	G 1/8	Ø 4	25 piece	0.006 kg
R412005380	G 1/8	Ø 6	25 piece	0.007 kg

### Technical information

The series QR1 (plastic) and QR2 (metal) can not be combined  
Thread seal with captive O-ring

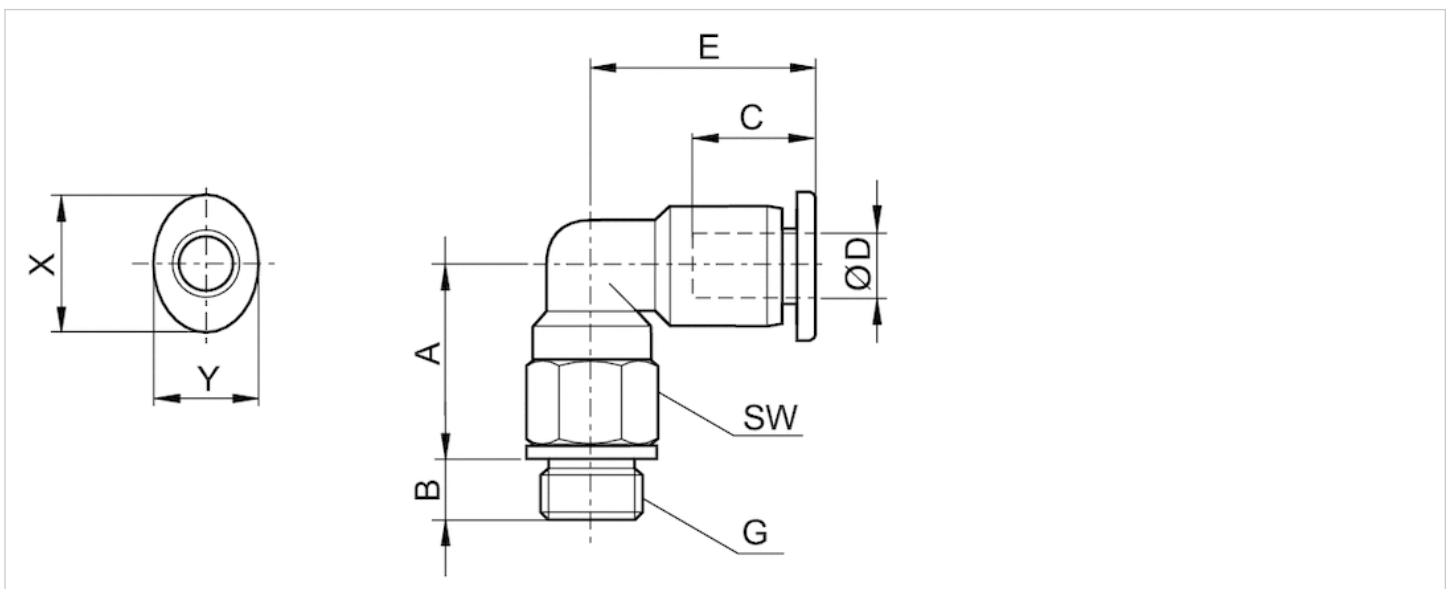
For further information about assembling and tolerances of adaptable tubing can be found in the "Technical information" document (available in the MediaCentre).

## Technical information

Material	
Material	nickel-plated
Housing	Polybutyleneterephthalate
Seal	Acrylonitrile butadiene rubber
Tooth lock washer	Stainless steel
Release ring	Polyoxymethylene
Release ring holder	Die cast zinc Brass, nickel-plated
Thread	Brass, nickel-plated

## Dimensions

### Dimensions



### Dimensions

Part No.	Port D	Port G	A	B	C	E	SW	X	Y
R412005284	Ø 3	M3	10.4	3	9.5	11.2	6	7	6
R412005285	Ø 4	M3	12	3	11.5	15.6	8	10	8
R412005286	Ø 3	M5	11.3	3.5	9.5	11.2	8	7	6
R412005287	Ø 4	M5	11.6	3.5	11.5	15.6	8	10	8
R412005288	Ø 6	M5	12.9	3.5	12.5	16.9	8	12	10
R412005289	Ø 3	M6	11.9	4.5	9.5	11.2	8	7	6
R412005627	Ø 6	M6	12.9	4.5	11.5	16.9	10	10	8
R412005628	Ø 4	M6	11.6	4.5	12.5	15.6	8	12	10
R412005377	Ø 4	M7	13.7	5.5	11.5	15.6	8	10	8
R412005378	Ø 6	M7	15	5.5	12.5	16.9	8	12	10
R412005379	Ø 4	G 1/8	12.6	5	11.5	15.6	12	10	8
R412005380	Ø 6	G 1/8	17	5	12.5	16.9	10	12	10



# Series QR1-S-MVL Mini

- Long elbow fitting
- External thread
- M3 M5 G 1/8
- push-in fitting
- Ø 3 Ø 4 Ø 6
- QR1-S-MVL



Working pressure min./max.	-0.95 ... 10 bar
Ambient temperature min./max.	0 ... 60 °C
Weight per piece	See table below

## Technical data

Part No.	Port G	Port D	Delivery unit	Weight per piece
R412005381	M3	Ø 3	25 piece	0.003 kg
R412005382	M3	Ø 4	25 piece	0.007 kg
R412005384	M5	Ø 4	25 piece	0.008 kg
R412005385	M5	Ø 6	25 piece	0.008 kg
R412005390	G 1/8	Ø 4	25 piece	0.013 kg
R412005391	G 1/8	Ø 6	25 piece	0.014 kg

## Technical information

The series QR1 (plastic) and QR2 (metal) can not be combined  
Thread seal with captive O-ring

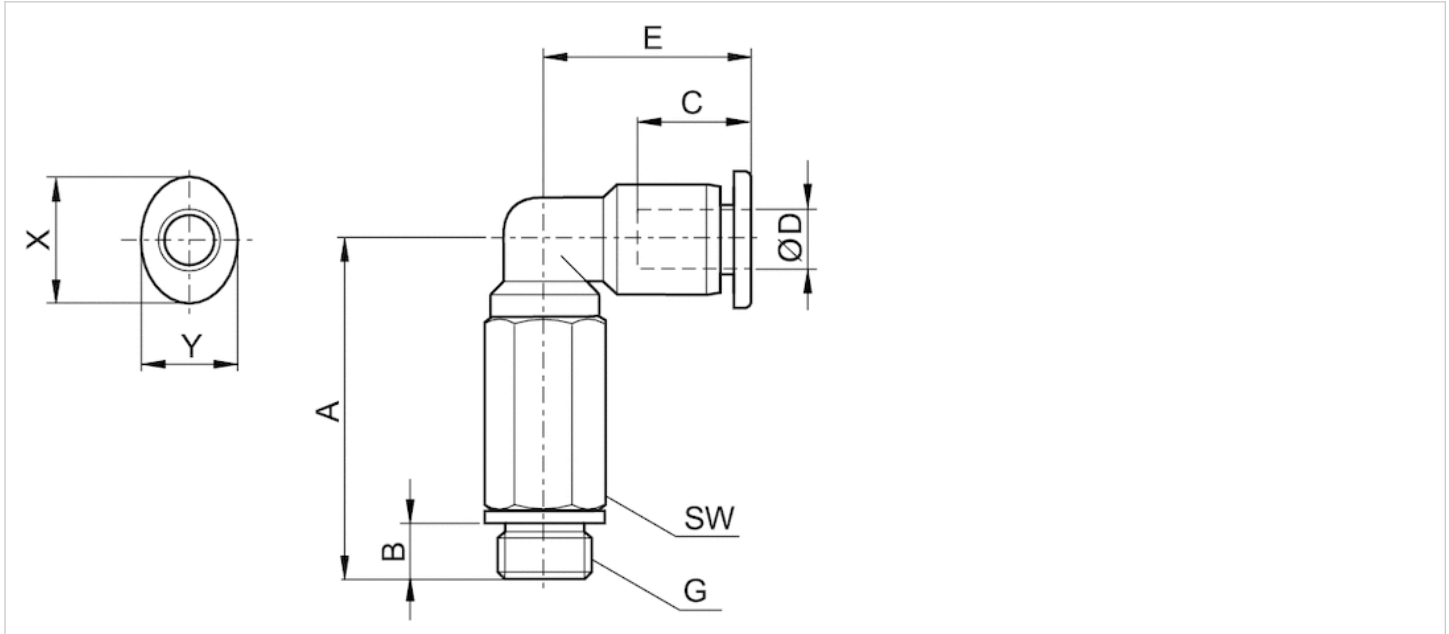
For further information about assembling and tolerances of adaptable tubing can be found in the "Technical information" document (available in the MediaCentre).

## Technical information

Material	
Material	nickel-plated
Housing	Polybutyleneterephthalate
Seal	Acrylonitrile butadiene rubber
Tooth lock washer	Stainless steel
Release ring	Polyoxymethylene

Material	
Release ring holder	Die cast zinc Brass, nickel-plated
Thread	Brass, nickel-plated

## Dimensions



## Dimensions

Part No.	Port D	Port G	A	B	C	E	SW	X	Y
R412005381	Ø 3	M3	19.4	3	9.5	11.2	6	7	6
R412005382	Ø 4	M3	23	3	11.5	15.6	8	10	8
R412005384	Ø 4	M5	26	4	11.5	15.6	8	10	8
R412005385	Ø 6	M5	26	4	12.5	16.9	8	12	10
R412005390	Ø 4	G 1/8	25.1	5	11.5	15.6	10	10	8
R412005391	Ø 6	G 1/8	26.4	5	12.5	16.9	10	12	10

# Series QR1-S-MTT Mini

- T-union
- External thread
- M5 G 1/8
- push-in fitting
- Ø 4 Ø 6
- QR1-S-MTT



Working pressure min./max.	-0.95 ... 10 bar
Ambient temperature min./max.	0 ... 60 °C
Weight per piece	See table below

## Technical data

Part No.	Port G	Port D	Delivery unit	Weight per piece
R412005395	M5	Ø 4	25 piece	0.004 kg
R412005396	M5	Ø 6	25 piece	0.005 kg
R412005400	G 1/8	Ø 4	25 piece	0.007 kg
R412005401	G 1/8	Ø 6	25 piece	0.008 kg

## Technical information

The series QR1 (plastic) and QR2 (metal) can not be combined

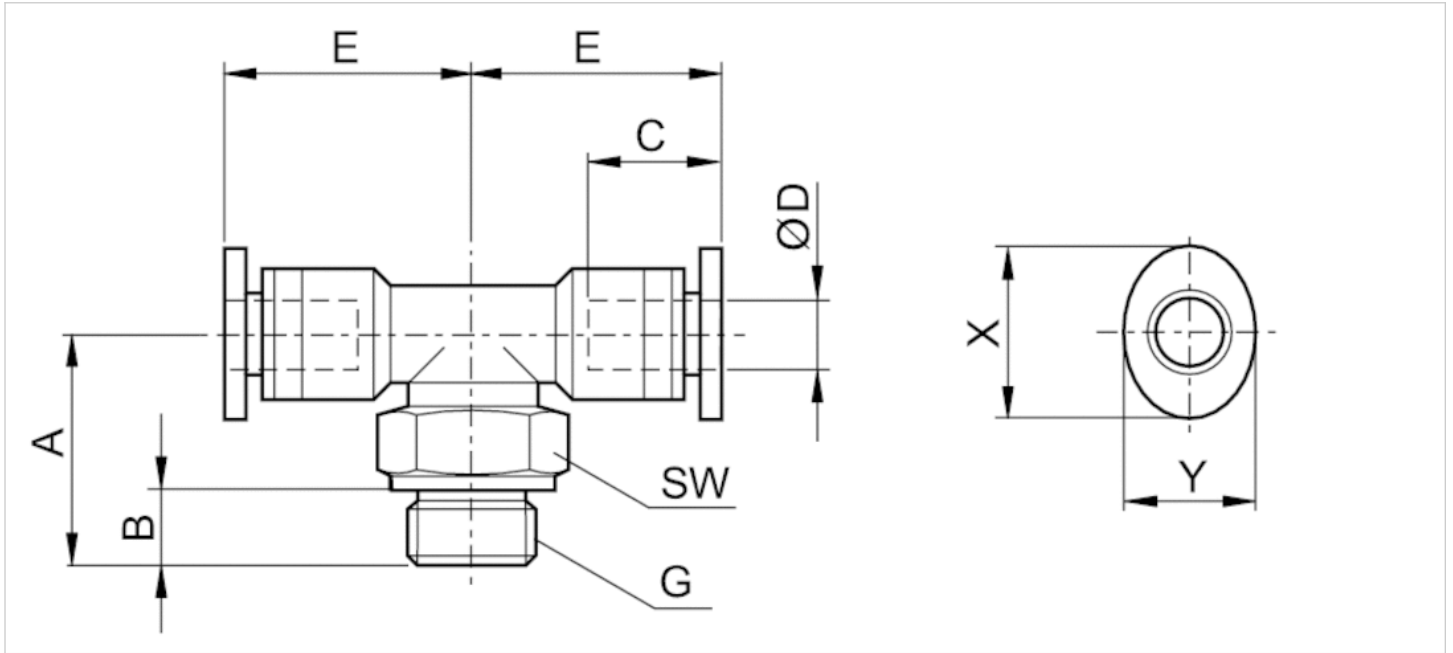
Thread seal with captive O-ring

For further information about assembling and tolerances of adaptable tubing can be found in the "Technical information" document (available in the MediaCentre).

## Technical information

Material	
Material	nickel-plated
Housing	Polybutyleneterephthalate
Seal	Acrylonitrile butadiene rubber
Tooth lock washer	Stainless steel
Release ring	Polyoxymethylene
Release ring holder	Die cast zinc Brass, nickel-plated
Thread	Brass, nickel-plated

## Dimensions



## Dimensions

Part No.	Port D	Port G	A	B	C	E	SW	X	Y
R412005395	Ø 4	M5	15	4	11.5	13.1	8	10	8
R412005396	Ø 6	M5	16	4	12.5	14.4	8	12	10
R412005400	Ø 4	G 1/8	13.4	5	11.5	13.1	12	10	8
R412005401	Ø 6	G 1/8	14.4	5	12.5	14.4	10	12	10

## Series QR1-S-MLT Mini

- Elbow fitting
- External thread
- M5 G 1/8
- push-in fitting
- Ø 4 Ø 6
- QR1-S-MLT



Working pressure min./max.	-0.95 ... 10 bar
Ambient temperature min./max.	0 ... 60 °C
Weight per piece	See table below

### Technical data

Part No.	Port G	Port D	Delivery unit	Weight per piece
R412005405	M5	Ø 4	25 piece	0.004 kg
R412005406	M5	Ø 6	25 piece	0.006 kg
R412005410	G 1/8	Ø 4	25 piece	0.007 kg
R412005411	G 1/8	Ø 6	25 piece	0.008 kg

### Technical information

The series QR1 (plastic) and QR2 (metal) can not be combined  
Thread seal with captive O-ring

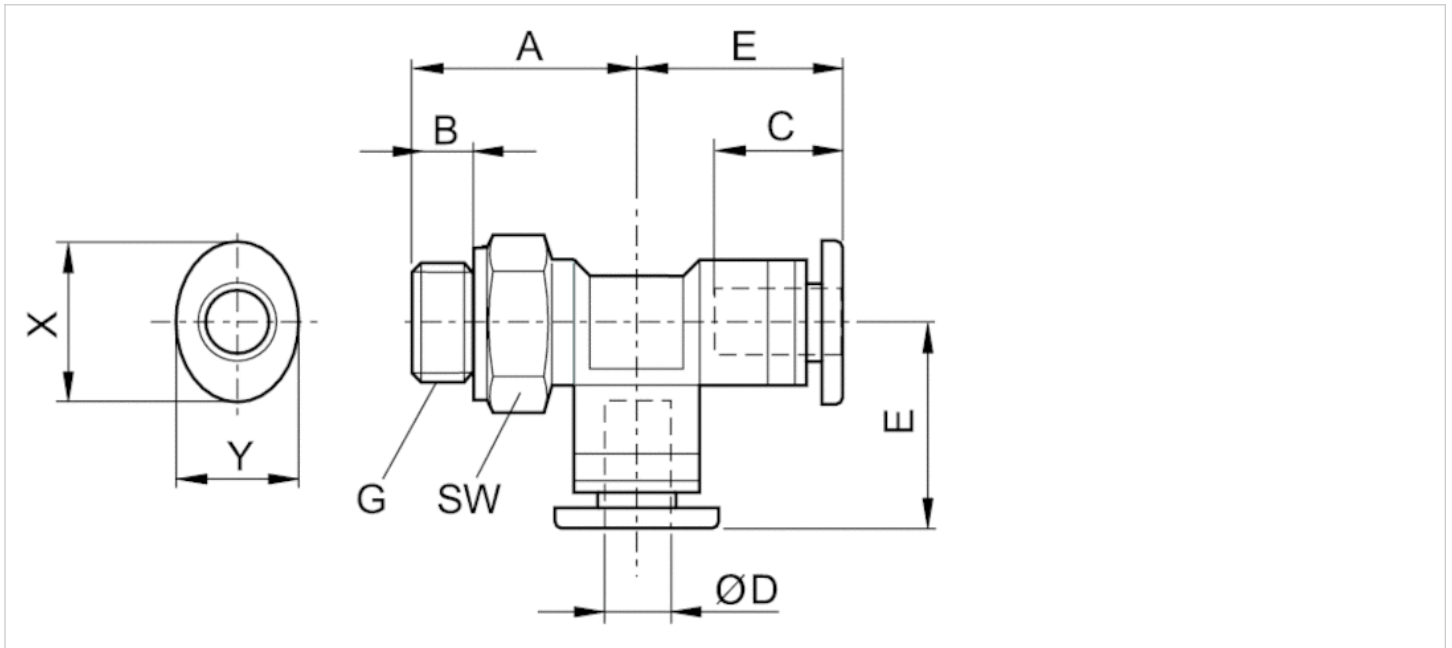
For further information about assembling and tolerances of adaptable tubing can be found in the "Technical information" document (available in the MediaCentre).

### Technical information

Material	
Material	nickel-plated
Housing	Polybutyleneterephthalate
Seal	Acrylonitrile butadiene rubber
Tooth lock washer	Stainless steel
Release ring	Polyoxymethylene
Release ring holder	Die cast zinc Brass, nickel-plated
Thread	Brass, nickel-plated

## Dimensions

### Dimensions



## Dimensions

Part No.	Port D	Port G	A	B	C	E	SW	X	Y
R412005405	Ø 4	M5	15	4	11.5	13.1	8	10	8
R412005406	Ø 6	M5	17	4	12.5	14.4	8	12	10
R412005410	Ø 4	G 1/8	13.4	5	11.5	13.1	10	10	8
R412005411	Ø 6	G 1/8	15	5	12.5	14.4	10	12	10

## Series QR1-S-MSK Mini

- Straight plug connector
- push-in fitting
- Ø 3 Ø 4 Ø 6
- push-in fitting
- Ø 3 Ø 4 Ø 6
- QR1-S-MSK



Working pressure min./max.	-0.95 ... 10 bar
Ambient temperature min./max.	0 ... 60 °C
Weight per piece	See table below

### Technical data

Part No.	Port G	Port D	Delivery unit	Weight per piece
R412005412	Ø 3	Ø 3	25 piece	0.001 kg
R412005413	Ø 4	Ø 4	25 piece	0.002 kg
R412005414	Ø 6	Ø 6	25 piece	0.003 kg

### Technical information

The series QR1 (plastic) and QR2 (metal) can not be combined

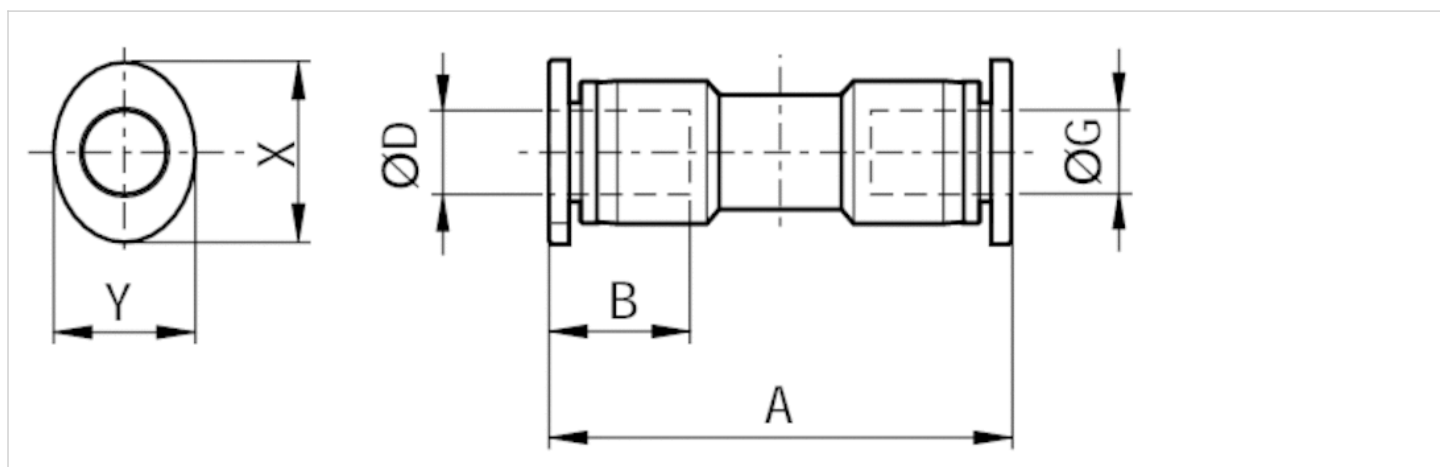
For further information about assembling and tolerances of adaptable tubing can be found in the "Technical information" document (available in the MediaCentre).

### Technical information

Material	
Material	nickel-plated
Housing	Polybutyleneterephthalate
Seal	Acrylonitrile butadiene rubber
Tooth lock washer	Stainless steel
Release ring	Polyoxymethylene
Release ring holder	Die cast zinc Brass, nickel-plated

## Dimensions

### Dimensions



## Dimensions

Part No.	Port D	Port G	A	B	X	Y
R412005412	Ø 3	Ø 3	20.4	9.5	7	6
R412005413	Ø 4	Ø 4	23.8	11.5	10	8
R412005414	Ø 6	Ø 6	25.1	12.5	12	10



# Series QR1-S-MSR Mini

- Straight plug connector, reducing
- push-in fitting
- Ø 4 Ø 6
- push-in fitting
- Ø 3 Ø 4
- QR1-S-MSR



Working pressure min./max.	-0.95 ... 10 bar
Ambient temperature min./max.	0 ... 60 °C
Weight per piece	0.002 kg

## Technical data

Part No.	Port G	Port D	Delivery unit
R412005415	Ø 4	Ø 3	25 piece
R412005416	Ø 6	Ø 4	25 piece

## Technical information

The series QR1 (plastic) and QR2 (metal) can not be combined

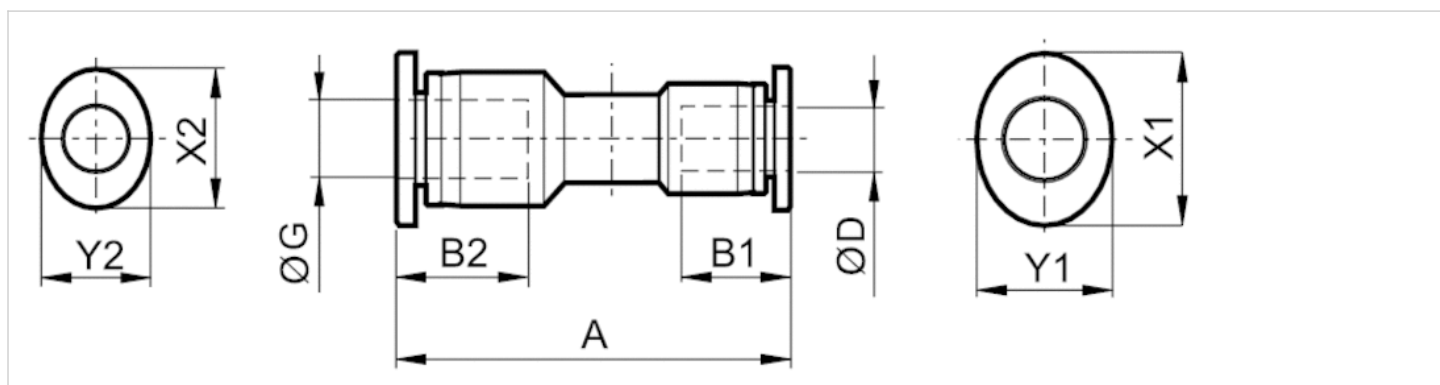
For further information about assembling and tolerances of adaptable tubing can be found in the "Technical information" document (available in the MediaCentre).

## Technical information

Material	
Material	nickel-plated
Housing	Polybutyleneterephthalate
Seal	Acrylonitrile butadiene rubber
Tooth lock washer	Stainless steel
Release ring	Polyoxymethylene
Release ring holder	Die cast zinc Brass, nickel-plated

## Dimensions

### Dimensions



## Dimensions

Part No.	Port D	Port G	A	B1	B2	X1	X2	Y1	Y2
R412005415	Ø 3	Ø 4	22.5	9.5	11.5	7	10	6	8
R412005416	Ø 4	Ø 6	24	11.5	12.5	10	12	8	10

# Series QR1-S-MSM Mini

- Bulkhead push-in fitting, metal
- push-in fitting
- Ø 4 Ø 6
- push-in fitting
- Ø 4 Ø 6
- QR1-S-MSM



Working pressure min./max.                      -0.95 ... 10 bar  
 Ambient temperature min./max.                0 ... 60 °C  
 Weight per piece                                      See table below

## Technical data

Part No.	Port G	Port D	Delivery unit	Weight per piece
R412005418	Ø 4	Ø 4	25 piece	0.008 kg
R412005419	Ø 6	Ø 6	25 piece	0.013 kg

## Technical information

The series QR1 (plastic) and QR2 (metal) can not be combined

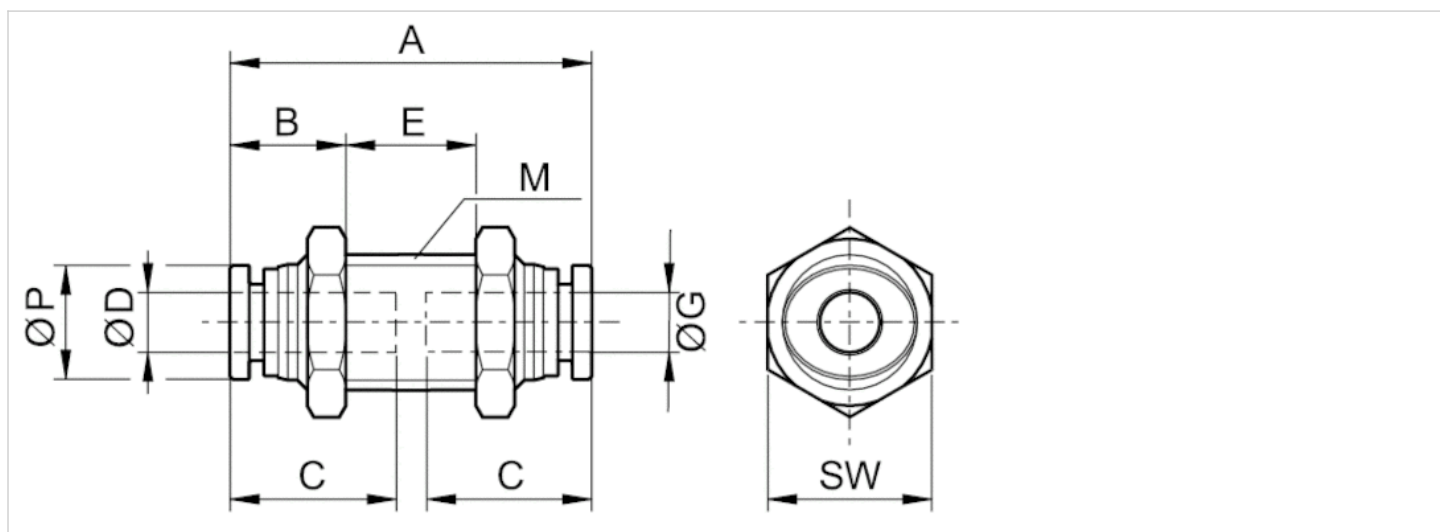
For further information about assembling and tolerances of adaptable tubing can be found in the "Technical information" document (available in the MediaCentre).

## Technical information

Material	
Material	nickel-plated
Housing	Brass, nickel-plated
Seal	Acrylonitrile butadiene rubber
Tooth lock washer	Stainless steel
Release ring	Polyoxymethylene
Release ring holder	Die cast zinc Brass, nickel-plated

## Dimensions

### Dimensions



### Dimensions

Part No.	Port D	Port G	M	A	B	C	E	SW	Ø P
R412005418	Ø 4	Ø 4	M10x1,0	24	9	11.5	7.5	12	8
R412005419	Ø 6	Ø 6	M12x1,0	25.9	10.5	12.5	6	14	10.5

## Series QR1-S-MVK Mini

- Angled plug connector
- push-in fitting
- Ø 3 Ø 4 Ø 6
- push-in fitting
- Ø 3 Ø 4 Ø 6
- QR1-S-MVK



Working pressure min./max.	-0.95 ... 10 bar
Ambient temperature min./max.	0 ... 60 °C
Weight per piece	See table below

### Technical data

Part No.	Port G	Port D	Delivery unit	Weight per piece
R412005423	Ø 3	Ø 3	25 piece	0.001 kg
R412005424	Ø 4	Ø 4	25 piece	0.002 kg
R412005425	Ø 6	Ø 6	25 piece	0.003 kg

### Technical information

The series QR1 (plastic) and QR2 (metal) can not be combined

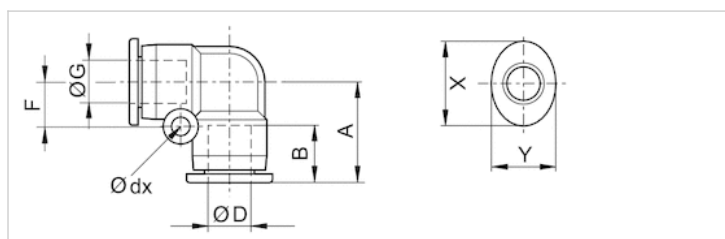
For further information about assembling and tolerances of adaptable tubing can be found in the "Technical information" document (available in the MediaCentre).

### Technical information

Material	
Material	nickel-plated
Housing	Polybutyleneterephthalate
Seal	Acrylonitrile butadiene rubber
Tooth lock washer	Stainless steel
Release ring	Polyoxymethylene
Release ring holder	Die cast zinc Brass, nickel-plated

## Dimensions

### Dimensions



## Dimensions

Part No.	Port D	Port G	Ø dx	A	B	F	X	Y
R412005423	Ø 3	Ø 3	3.2	11.4	9.5	4.5	7	6
R412005424	Ø 4	Ø 4	3.2	13.9	11.5	5.8	10	8
R412005425	Ø 6	Ø 6	3.2	15.4	12.5	6.5	12	10

# Series QR1-S-MVS Mini

- Angled bulkhead connector
- push-in fitting
- Ø 4 Ø 6
- push-in fitting
- Ø 4 Ø 6
- QR1-S-MVS



Working pressure min./max.                      -0.95 ... 10 bar  
 Ambient temperature min./max.                0 ... 60 °C  
 Weight per piece                                      See table below

## Technical data

Part No.	Port G	Port D	Delivery unit	Weight per piece
R412005421	Ø 4	Ø 4	25 piece	0.009 kg
R412005422	Ø 6	Ø 6	25 piece	0.013 kg

## Technical information

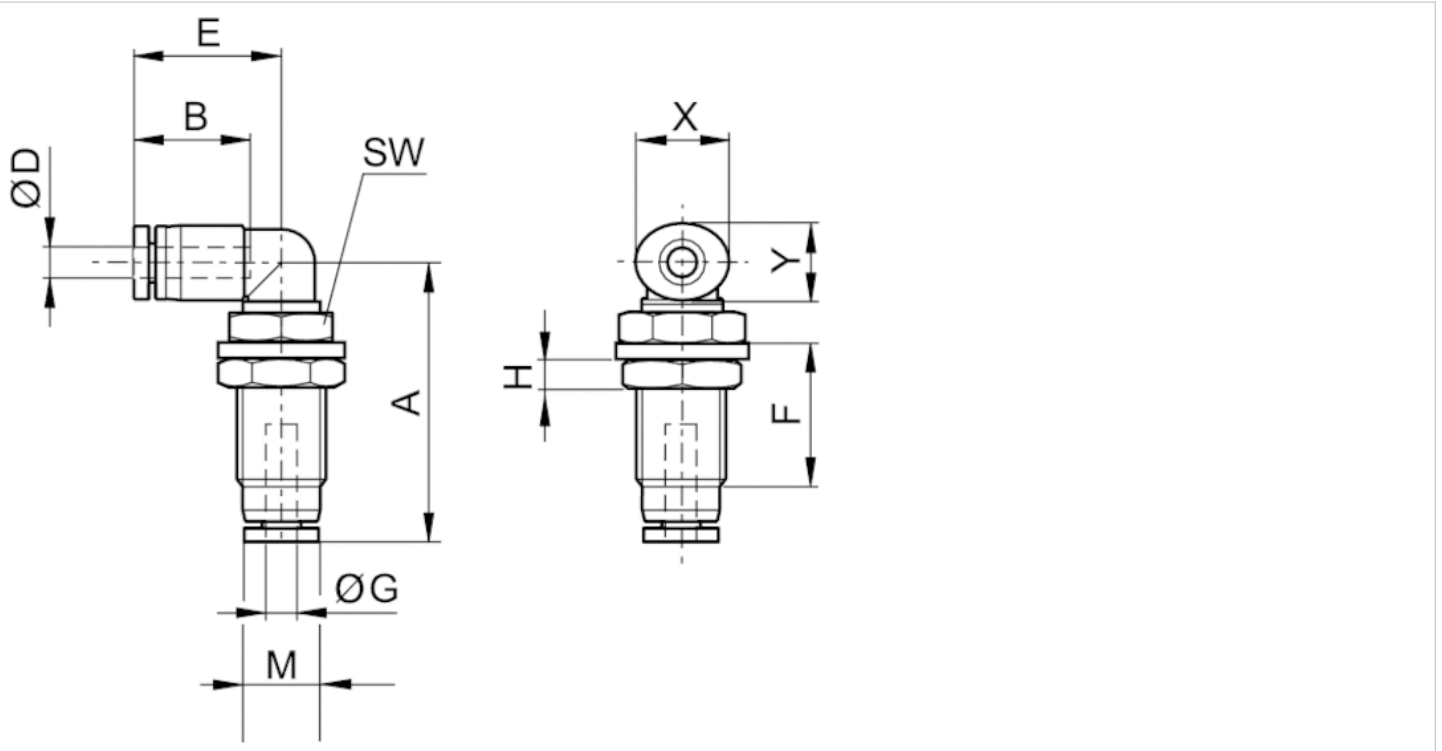
The series QR1 (plastic) and QR2 (metal) can not be combined  
 For further information about assembling and tolerances of adaptable tubing can be found in the "Technical information" document (available in the MediaCentre).

## Technical information

Material	
Material	nickel-plated
Housing	Polybutyleneterephthalate
Seal	Acrylonitrile butadiene rubber
Tooth lock washer	Stainless steel
Release ring	Polyoxymethylene
Release ring holder	Die cast zinc Brass, nickel-plated

## Dimensions

### Dimensions



## Dimensions

Part No.	Port D	Port G	M	A	B	E	F	H	SW	X	Y
R412005421	Ø 4	Ø 4	M10x1,0	24.4	11.5	15.3	13	3	12	10	8
R412005422	Ø 6	Ø 6	M12x1,0	31.5	12.5	16.3	16.6	4	14	12	10



# Series QR1-S-MTK Mini

- T-plug connector
- push-in fitting
- Ø 3 Ø 4 Ø 6
- push-in fitting
- Ø 3 Ø 4 Ø 6
- QR1-S-MTK



Working pressure min./max.	-0.95 ... 10 bar
Ambient temperature min./max.	0 ... 60 °C
Weight per piece	See table below

## Technical data

Part No.	Port G	Port D	Delivery unit	Weight per piece
R412005426	Ø 3	Ø 3	25 piece	0.002 kg
R412005427	Ø 4	Ø 4	25 piece	0.003 kg
R412005428	Ø 6	Ø 6	25 piece	0.005 kg

## Technical information

The series QR1 (plastic) and QR2 (metal) can not be combined

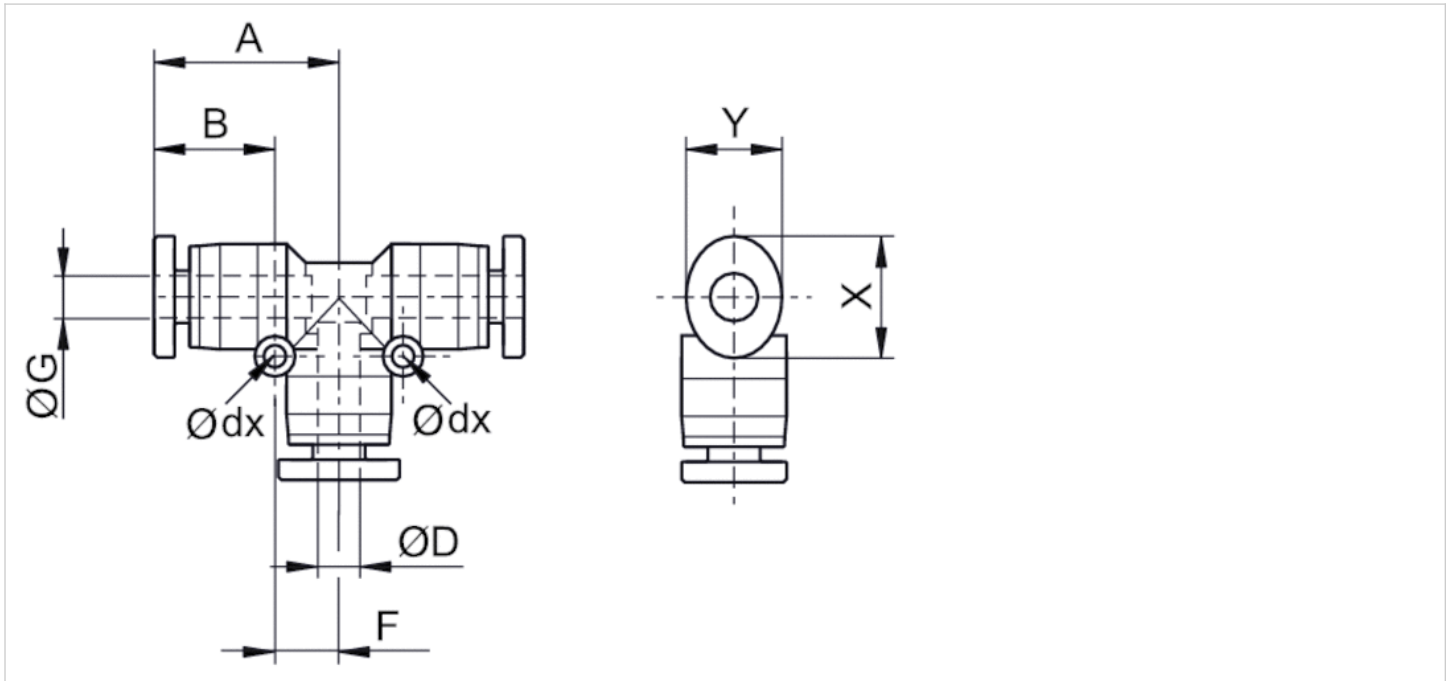
For further information about assembling and tolerances of adaptable tubing can be found in the "Technical information" document (available in the MediaCentre).

## Technical information

Material	
Material	nickel-plated
Housing	Polybutyleneterephthalate
Seal	Acrylonitrile butadiene rubber
Tooth lock washer	Stainless steel
Release ring	Polyoxymethylene
Release ring holder	Die cast zinc Brass, nickel-plated
Thread	Brass, nickel-plated

## Dimensions

### Dimensions



## Dimensions

Part No.	Port D	Port G	Ø dx	A	B	F	X	Y
R412005426	Ø 3	Ø 3	3.2	11.4	9.5	4.5	7	6
R412005427	Ø 4	Ø 4	3.2	13.9	11.5	5.8	10	8
R412005428	Ø 6	Ø 6	3.2	15.4	12.5	6.5	12	10

# Series QR1-S-MYK Mini

- Y - Plug connection
- push-in fitting
- Ø 3 Ø 4 Ø 6
- push-in fitting
- Ø 3 Ø 4 Ø 6
- QR1-S-MYK



Working pressure min./max.	-0.95 ... 10 bar
Ambient temperature min./max.	0 ... 60 °C
Weight per piece	See table below

## Technical data

Part No.	Port G	Port D	Delivery unit	Weight per piece
R412005429	Ø 3	Ø 3	25 piece	0.004 kg
R412005430	Ø 4	Ø 4	25 piece	0.003 kg
R412005431	Ø 6	Ø 6	25 piece	0.005 kg

## Technical information

The series QR1 (plastic) and QR2 (metal) can not be combined

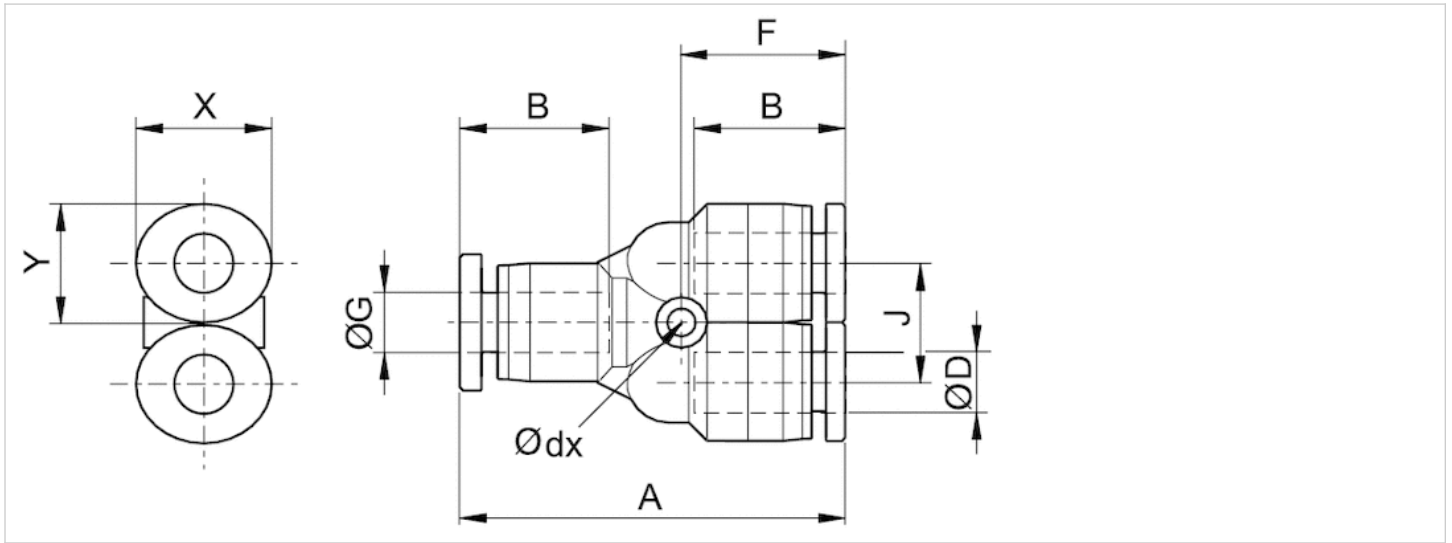
For further information about assembling and tolerances of adaptable tubing can be found in the "Technical information" document (available in the MediaCentre).

## Technical information

Material	
Material	nickel-plated
Housing	Polybutyleneterephthalate
Seal	Acrylonitrile butadiene rubber
Tooth lock washer	Stainless steel
Release ring	Polyoxymethylene
Release ring holder	Die cast zinc Brass, nickel-plated

## Dimensions

### Dimensions



## Dimensions

Part No.	Port D	Port G	Ø dx	A	B	F	J	X	Y
R412005429	Ø 3	Ø 3	3.2	29.9	9.5	13.2	8	7	6
R412005430	Ø 4	Ø 4	3.2	30.1	11.5	13.3	8	10	8
R412005431	Ø 6	Ø 6	3.2	32.1	12.5	13.6	10.5	12	10

# Series QR1-S-MYR Mini

- Y-Plug connector, reducing
- push-in fitting
- Ø 4 Ø 6
- push-in fitting
- Ø 3 Ø 4
- QR1-S-MYR



Working pressure min./max.	-0.95 ... 10 bar
Ambient temperature min./max.	0 ... 60 °C
Weight per piece	0.004 kg

## Technical data

Part No.	Port G	Port D	Delivery unit
R412005432	Ø 4	Ø 3	25 piece
R412005433	Ø 6	Ø 4	25 piece

## Technical information

The series QR1 (plastic) and QR2 (metal) can not be combined

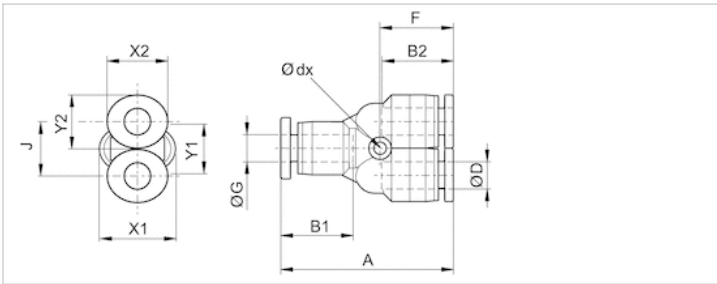
For further information about assembling and tolerances of adaptable tubing can be found in the "Technical information" document (available in the MediaCentre).

## Technical information

Material	
Material	nickel-plated
Housing	Polybutyleneterephthalate
Seal	Acrylonitrile butadiene rubber
Tooth lock washer	Stainless steel
Release ring	Polyoxymethylene
Release ring holder	Die cast zinc Brass, nickel-plated

## Dimensions

### Dimensions



## Dimensions

Part No.	Port D	Port G	Ø dx	A	B1	B2	F	J	X1	X2	Y1	Y2
R412005432	Ø 3	Ø 4	3.2	30	11.5	9.5	13.4	8	10	7	8	6
R412005433	Ø 4	Ø 6	3.2	31.5	12.5	11.5	13.6	10.5	12	10	10	8

# Series QR1-S-MXS Mini

- X-Plug connection
- push-in fitting
- Ø 4 Ø 6
- push-in fitting
- Ø 4 Ø 6
- QR1-S-MXS



Working pressure min./max.	-0.95 ... 10 bar
Ambient temperature min./max.	0 ... 60 °C
Weight per piece	See table below

## Technical data

Part No.	Port G	Port D	Delivery unit	Weight per piece
R412005435	Ø 4	Ø 4	25 piece	0.004 kg
R412005436	Ø 6	Ø 6	25 piece	0.007 kg

## Technical information

The series QR1 (plastic) and QR2 (metal) can not be combined

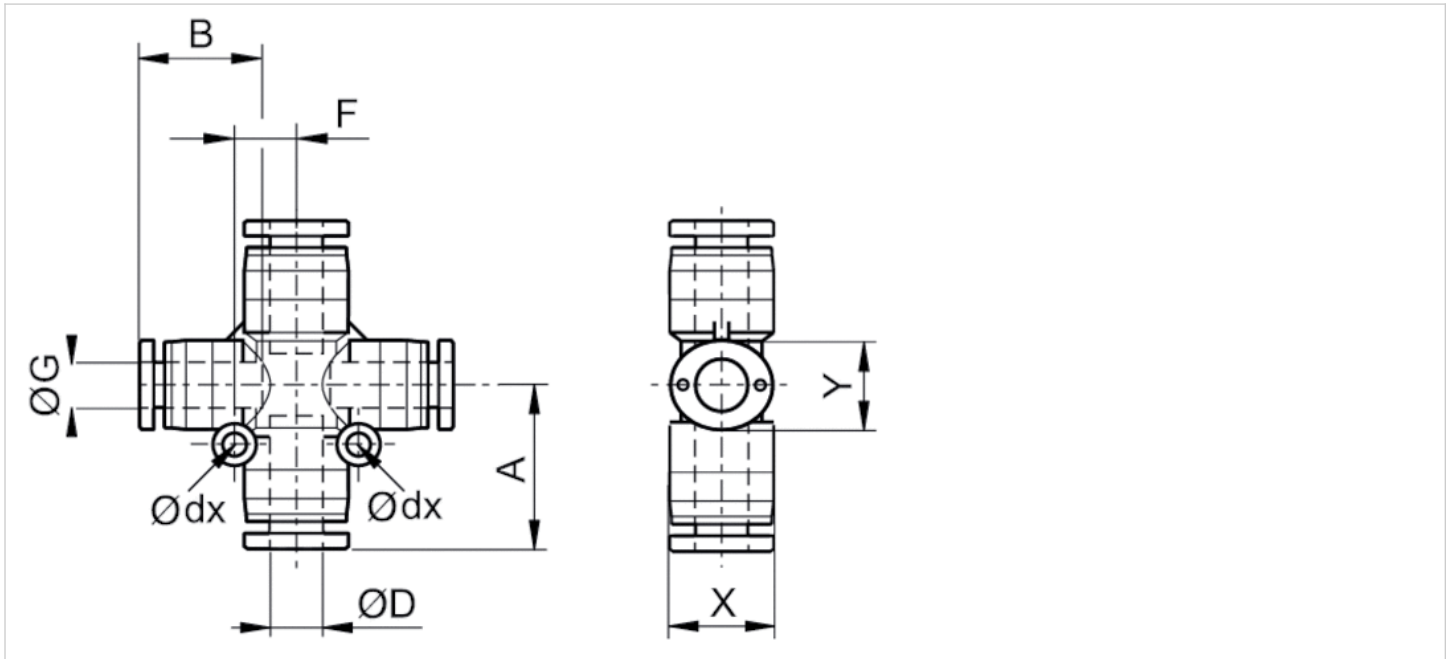
For further information about assembling and tolerances of adaptable tubing can be found in the "Technical information" document (available in the MediaCentre).

## Technical information

Material	
Material	nickel-plated
Housing	Polybutyleneterephthalate
Seal	Acrylonitrile butadiene rubber
Tooth lock washer	Stainless steel
Release ring	Polyoxymethylene
Release ring holder	Die cast zinc Brass, nickel-plated

## Dimensions

### Dimensions



## Dimensions

Part No.	Port D	Port G	Ø dx	A	B	F	X	Y
R412005435	Ø 4	Ø 4	3.2	13.6	11.5	5.5	10	8
R412005436	Ø 6	Ø 6	3.2	15.9	12.5	6.5	12	10



# Series QR1-S-MED Mini

- Straight push-in fitting, reducing
- pin bushing
- Ø 4 Ø 6
- push-in fitting
- Ø 3 Ø 4
- QR1-S-MED



Working pressure min./max.                      -0.95 ... 10 bar  
 Ambient temperature min./max.                0 ... 60 °C  
 Weight per piece                                      See table below

## Technical data

Part No.	Port G	Port D	Delivery unit	Weight per piece
R412005437	Ø 4	Ø 3	25 piece	0.001 kg
R412005438	Ø 6	Ø 4	25 piece	0.002 kg

## Technical information

The series QR1 (plastic) and QR2 (metal) can not be combined

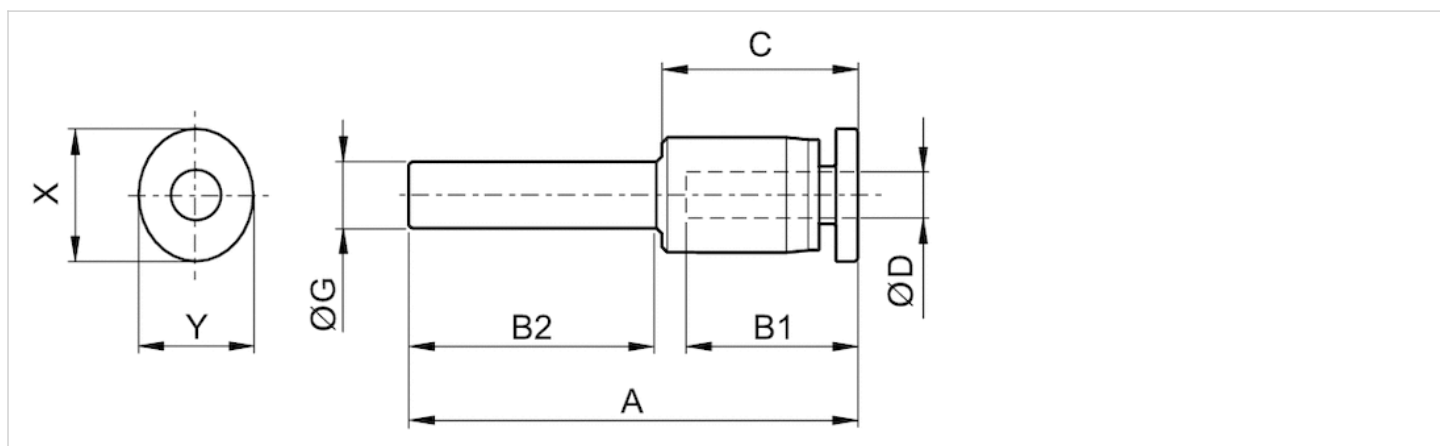
For further information about assembling and tolerances of adaptable tubing can be found in the "Technical information" document (available in the MediaCentre).

## Technical information

Material	
Material	nickel-plated
Housing	Polybutyleneterephthalate
Seal	Acrylonitrile butadiene rubber
Tooth lock washer	Stainless steel
Release ring	Polyoxymethylene
Release ring holder	Die cast zinc Brass, nickel-plated

## Dimensions

### Dimensions



## Dimensions

Part No.	Port D	Port G	A	B1	B2	C	X	Y
R412005437	Ø 3	Ø 4	29.2	9.5	11.5	11.2	7	6
R412005438	Ø 4	Ø 6	33.2	11.5	12.5	13.2	10	8

# Series QR1-S-MVA Mini

- Angled plug-in connector
- pin bushing
- Ø 3 Ø 4 Ø 6
- push-in fitting
- Ø 3 Ø 4 Ø 6
- QR1-S-MVA



Working pressure min./max.	-0.95 ... 10 bar
Ambient temperature min./max.	0 ... 60 °C
Weight per piece	See table below

## Technical data

Part No.	Port G	Port D	Delivery unit	Weight per piece
R412005439	Ø 3	Ø 3	25 piece	0.001 kg
R412005440	Ø 4	Ø 4	25 piece	0.002 kg
R412005441	Ø 6	Ø 6	25 piece	0.003 kg

## Technical information

The series QR1 (plastic) and QR2 (metal) can not be combined

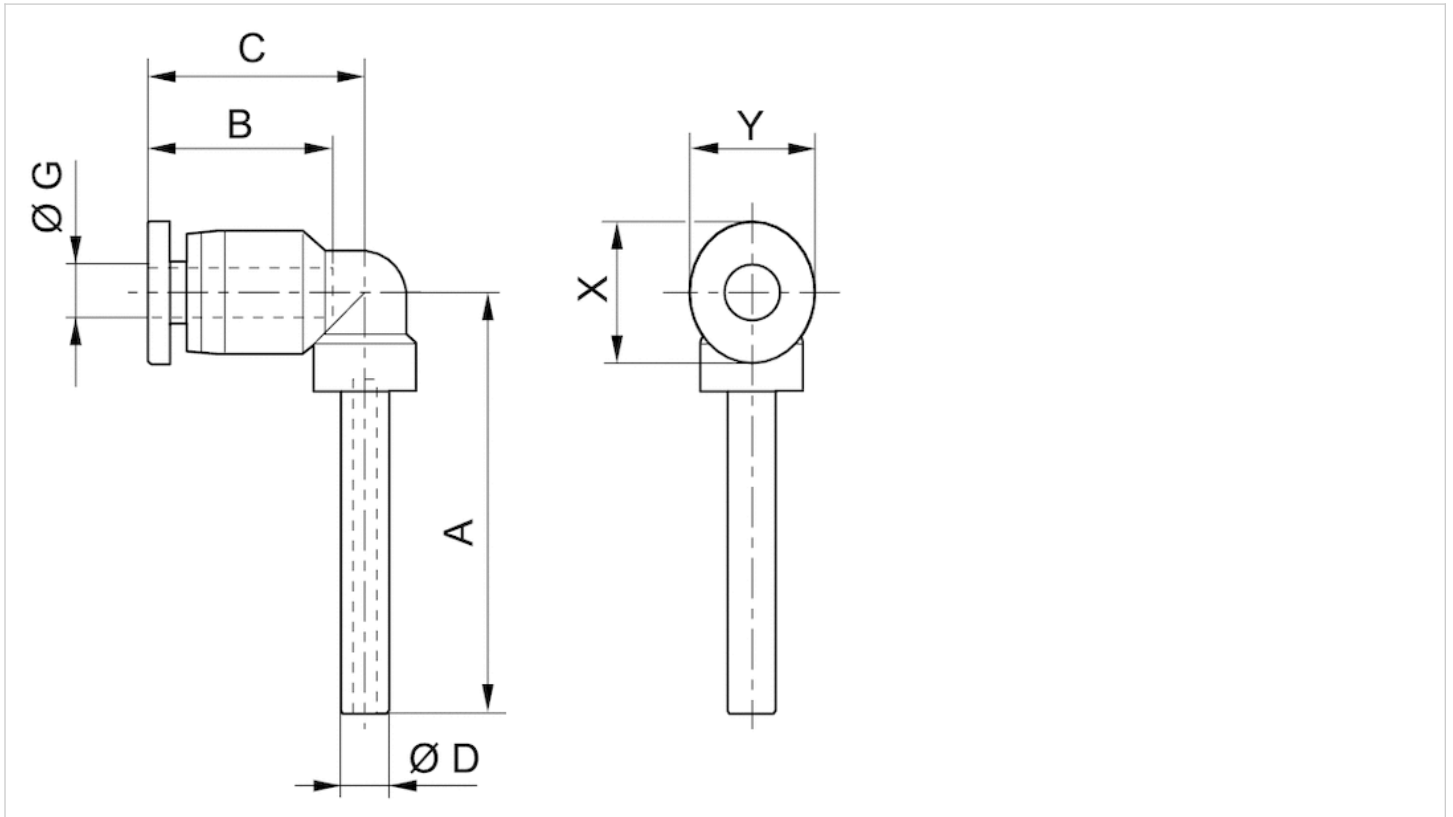
For further information about assembling and tolerances of adaptable tubing can be found in the "Technical information" document (available in the MediaCentre).

## Technical information

Material	
Material	nickel-plated
Housing	Polybutyleneterephthalate
Seal	Acrylonitrile butadiene rubber
Tooth lock washer	Stainless steel
Release ring	Polyoxymethylene
Release ring holder	Die cast zinc Brass, nickel-plated

## Dimensions

### Dimensions



## Dimensions

Part No.	Port D	Port G	A	B	C	X	Y
R412005439	Ø 3	Ø 3	21.6	9.5	11.2	7	6
R412005440	Ø 4	Ø 4	27.6	11.5	15.6	10	8
R412005441	Ø 6	Ø 6	29.6	12.5	16.9	12	10

# Series QR1-S-MYZ Mini

- Y - Push-in fitting
- pin bushing
- Ø 4 Ø 6
- push-in fitting
- Ø 4 Ø 6
- QR1-S-MYZ



Working pressure min./max.	-0.95 ... 10 bar
Ambient temperature min./max.	0 ... 60 °C
Weight per piece	See table below

## Technical data

Part No.	Port G	Port D	Delivery unit	Weight per piece
R412005443	Ø 4	Ø 4	25 piece	0.004 kg
R412005444	Ø 6	Ø 6	25 piece	0.006 kg

## Technical information

The series QR1 (plastic) and QR2 (metal) can not be combined

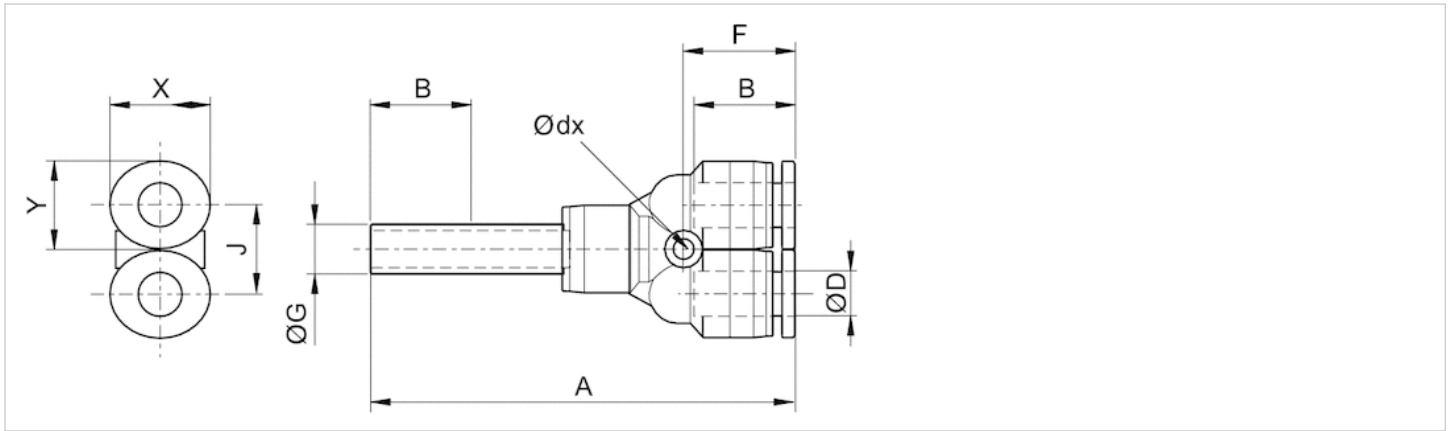
For further information about assembling and tolerances of adaptable tubing can be found in the "Technical information" document (available in the MediaCentre).

## Technical information

Material	
Material	nickel-plated
Housing	Polybutyleneterephthalate
Seal	Acrylonitrile butadiene rubber
Tooth lock washer	Stainless steel
Release ring	Polyoxymethylene
Release ring holder	Die cast zinc Brass, nickel-plated

## Dimensions

### Dimensions



## Dimensions

Part No.	Port D	Port G	Ø dx	A	B	F	J	X	Y
R412005443	Ø 4	Ø 4	3.2	45	11.5	13.3	8	10	8
R412005444	Ø 6	Ø 6	3.2	50.5	12.5	13.6	10.4	12	10

# Series QR1-S-M2R Mini

- Y-Push-in fitting, reducing
- pin bushing
- Ø 4 Ø 6
- push-in fitting
- Ø 3 Ø 4
- QR1-S-M2R



Working pressure min./max.	-0.95 ... 10 bar
Ambient temperature min./max.	0 ... 60 °C
Weight per piece	0.004 kg

## Technical data

Part No.	Port G	Port D	Delivery unit
R412005445	Ø 4	Ø 3	25 piece
R412005446	Ø 6	Ø 4	25 piece

## Technical information

The series QR1 (plastic) and QR2 (metal) can not be combined

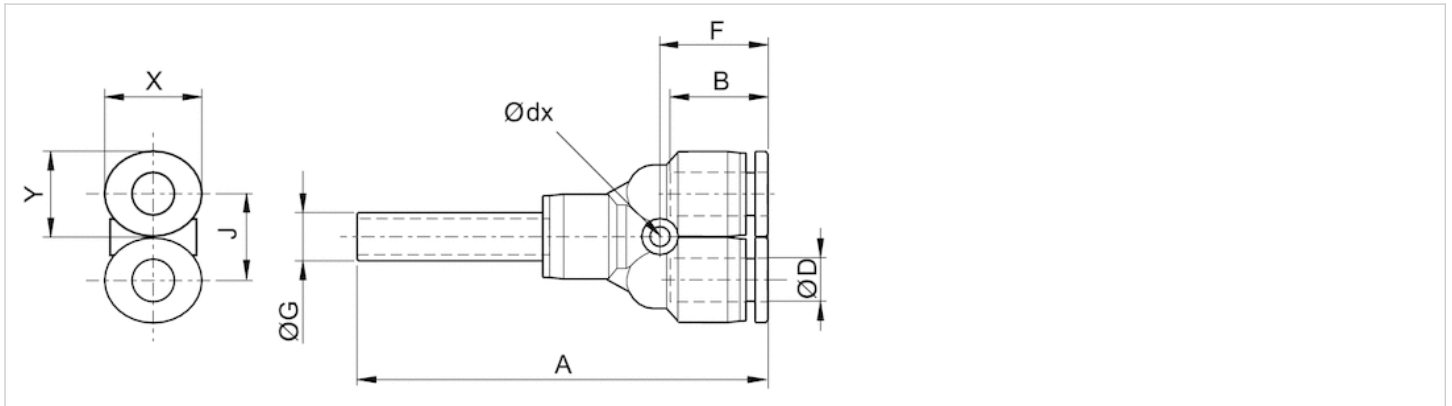
For further information about assembling and tolerances of adaptable tubing can be found in the "Technical information" document (available in the MediaCentre).

## Technical information

Material	
Material	nickel-plated
Housing	Polybutyleneterephthalate
Seal	Acrylonitrile butadiene rubber
Tooth lock washer	Stainless steel
Release ring	Polyoxymethylene
Release ring holder	Die cast zinc Brass, nickel-plated

## Dimensions

### Dimensions



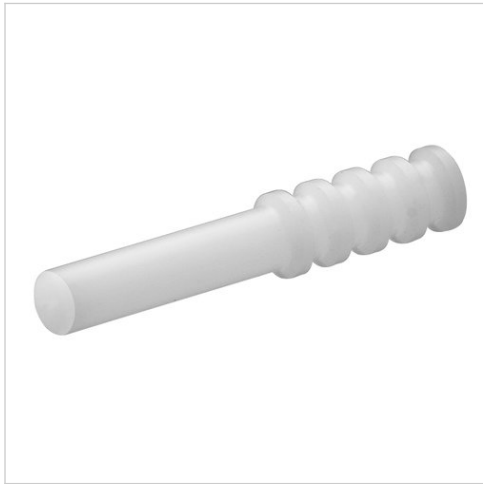
## Dimensions

Part No.	Port D	Port G	Ø dx	A	B	F	J	X	Y
R412005445	Ø 3	Ø 4	3.2	33	9.5	13.4	8	7	6
R412005446	Ø 4	Ø 6	3.2	38.5	11.5	13.6	10.5	10	8



# Series QR1-S-MBS Mini

- Blanking plug
- pin bushing
- Ø 3
- QR1-S-MBS



Working pressure min./max. -0.95 ... 10 bar  
 Ambient temperature min./max. 0 ... 60 °C

## Technical data

Part No.	Port G	Delivery unit
R412005447	Ø 3	25 piece

## Technical information

The series QR1 (plastic) and QR2 (metal) can not be combined

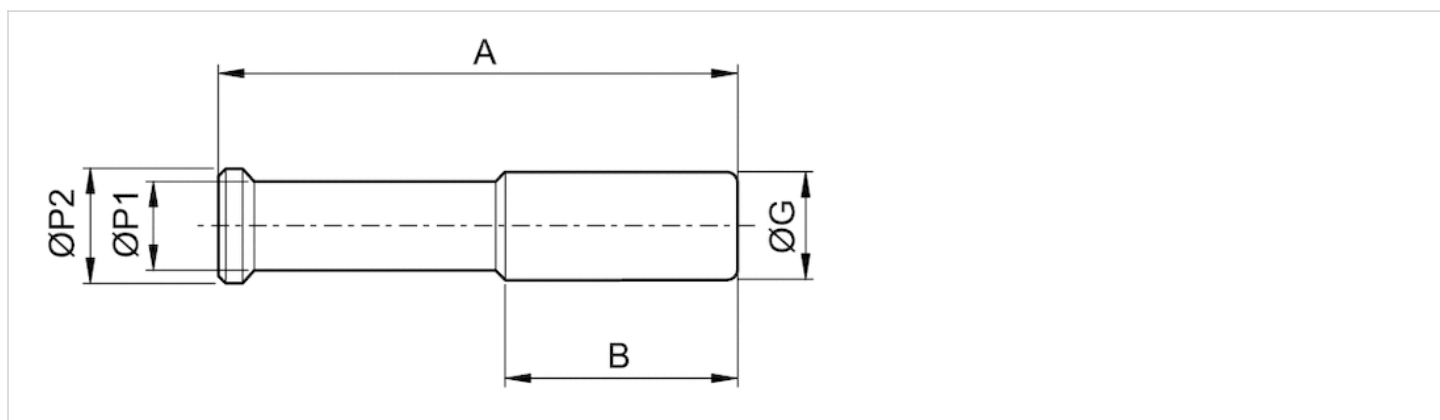
For further information about assembling and tolerances of adaptable tubing can be found in the "Technical information" document (available in the MediaCentre).

## Technical information

Material	
Material	nickel-plated
Housing	Polybutyleneterephthalate

## Dimensions

### Dimensions



## Dimensions

Part No.	Port G	A	B	Ø P1	Ø P2
R412005447	Ø 3	22	9.5	3	4

# Series QR1-S-RVW Mini

- Angled plug-in connector
- pin bushing
- Ø 4
- push-in fitting
- Ø 4
- QR1-S-RVW



Working pressure min./max.	-0.95 ... 10 bar
Ambient temperature min./max.	0 ... 60 °C
Weight per piece	0.002 kg

## Technical data

Part No.	Port G	Port D	Delivery unit
R412005046	Ø 4	Ø 4	10 piece

## Technical information

The series QR1 (plastic) and QR2 (metal) can not be combined

For use with 2 or more AV pressure regulators assembled into blocks with pressure gauges.

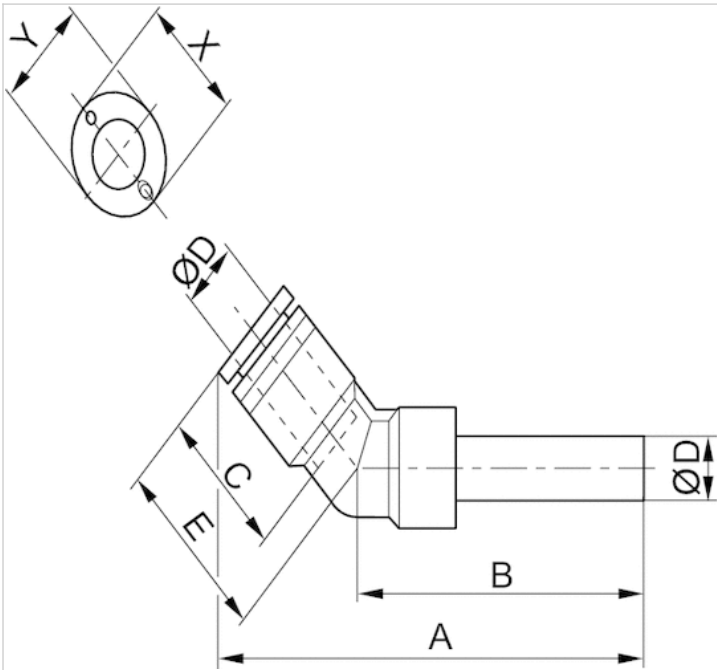
For 2 or more AV pressure regulators assembled into blocks with pressure gauges, use of push-in fitting R412005046 is recommended for every second pressure gauge

For further information about assembling and tolerances of adaptable tubing can be found in the "Technical information" document (available in the MediaCentre).

## Technical information

Material	
Material	nickel-plated
Housing	Polybutyleneterephthalate
Seal	Acrylonitrile butadiene rubber
Tooth lock washer	Stainless steel
Release ring	Polyoxymethylene
Release ring holder	Die cast zinc Brass, nickel-plated

## Dimensions



## Dimensions

Part No.	Port D	Port G	A	B	C	E	X	Y
R412005046	Ø 4	Ø 4	56,36	43,6	16	18.1	12	10

# Efficient pneumatic solutions, our program: cylinders and drives, valves and valve systems, air supply management



Visit us: [Emerson.com/Aventics](http://Emerson.com/Aventics)

Your local contact: [Emerson.com/contactus](http://Emerson.com/contactus)



[Emerson.com](http://Emerson.com)



[Facebook.com/EmersonAutomationSolutions](https://Facebook.com/EmersonAutomationSolutions)



[LinkedIn.com/company/Emerson-Automation-Solutions](https://LinkedIn.com/company/Emerson-Automation-Solutions)



[Twitter.com/EMR\\_Automation](https://Twitter.com/EMR_Automation)

An example configuration is depicted on the title page. The delivered product may thus vary from that in the illustration. Subject to change. This Document, as well as the data, specifications and other information set forth in it, are the exclusive property of AVENTICS GmbH. It may not be reproduced or given to third parties without its consent. Only use the AVENTICS products shown in industrial applications. Read the product documentation completely and carefully before using the product. Observe the applicable regulations and laws of the respective country. When integrating the product into applications, note the system manufacturer's specifications for safe use of the product. The data specified only serve to describe the product. No statements concerning a certain condition or suitability for a certain application can be derived from our information. The information given does not release the user from the obligation of own judgment and verification. It must be remembered that the products are subject to a natural process of wear and aging.

The Emerson logo is a trademark and service mark of Emerson Electric Co. Brand logotype are registered trademarks of one of the Emerson family of companies. All other marks are the property of their respective owners. © 2017 Emerson Electric Co. All rights reserved.  
2019-03



## CONSIDER IT SOLVED™



青岛秉诚自动化设备有限公司  
地址：中国·青岛市重庆南路99号海尔云街甲3号楼7F

服务热线：4006-918-365  
网址：<http://www.ivalve.cc>

传真：(86-532)585-10-365  
Email：[sales@bechinas.com](mailto:sales@bechinas.com)