

## Series QR1-S mini - inch



AVENTICS™ Series QR1-S mini - inch



## Series QR1-S-MAN Mini

- Straight fitting with hexagon head
- External thread
- 10-32 UNF 1/8 NPT
- push-in fitting
- Ø5/32 Ø1/8 Ø1/4
- QR1-S-MAN



Working pressure min./max.	-0.95 ... 10 bar
Ambient temperature min./max.	0 ... 60 °C
Weight per piece	0.005 kg

### Technical data

Part No.	Port G	Port D	Delivery unit
R432000332	10-32 UNF	Ø5/32	25 piece
R432000322	10-32 UNF	Ø1/8	25 piece
R432000314	10-32 UNF	Ø1/4	25 piece
R432000330	1/8 NPT	Ø5/32	25 piece
R432000313	1/8 NPT	Ø1/4	25 piece
R432000321	1/8 NPT	Ø1/8	25 piece

### Technical information

The series QR1 (plastic) and QR2 (metal) can not be combined

Thread seal with captive O-ring

These pneumatic components with NPT or inch thread dimensions are only available from our US sales organization.

For further information about assembling and tolerances of adaptable tubing can be found in the "Technical information" document (available in the MediaCentre).

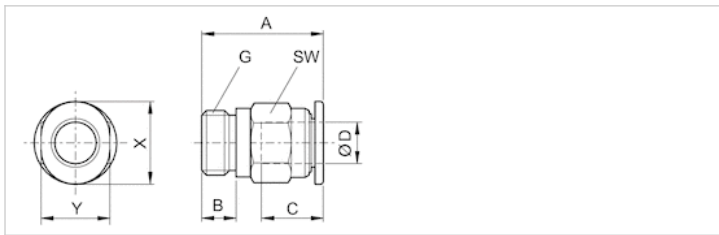
### Technical information

Material	
Material	nickel-plated
Housing	Brass, nickel-plated
Seal	Acrylonitrile butadiene rubber
Tooth lock washer	Stainless steel

Material	
Release ring	Polyoxymethylene
Release ring holder	Die cast zinc Brass, nickel-plated
Thread	Brass, nickel-plated

## Dimensions

### Dimensions in inches



### Dimensions in inches

Part No.	Port D	Port G	A	B	C	SW	X	Y
R432000332	Ø5/32	10-32 UNF	0.63	0.14	0.14	5/16	0.39	0.32
R432000322	Ø1/8	10-32 UNF	0.46	0.14	0.14	5/16	0.28	0.24
R432000314	Ø1/4	10-32 UNF	0.68	0.14	0.14	13/32	0.47	0.39
R432000330	Ø5/32	1/8 NPT	0.6	0.32	0.32	13/32	0.39	0.32
R432000313	Ø1/4	1/8 NPT	0.74	0.31	0.31	13/32	0.47	0.39
R432000321	Ø1/8	1/8 NPT	0.56	0.32	0.32	13/32	0.28	0.24

## Series QR1-S-MIN Mini

- Straight fitting with hexagon socket
- External thread
- 10-32 UNF 1/8 NPT
- push-in fitting
- Ø5/32 Ø1/8 Ø1/4
- QR1-S-MIN



Working pressure min./max.	-0.95 ... 10 bar
Ambient temperature min./max.	0 ... 60 °C
Weight per piece	0.005 kg

### Technical data

Part No.	Port G	Port D	Delivery unit
R432000333	10-32 UNF	Ø5/32	25 piece
R432000326	10-32 UNF	Ø1/8	25 piece
R432000318	10-32 UNF	Ø1/4	25 piece
R432000331	1/8 NPT	Ø5/32	25 piece
R432000317	1/8 NPT	Ø1/4	25 piece
R432000325	1/8 NPT	Ø1/8	25 piece

### Technical information

The series QR1 (plastic) and QR2 (metal) can not be combined

Thread seal with captive O-ring

These pneumatic components with NPT or inch thread dimensions are only available from our US sales organization.

For further information about assembling and tolerances of adaptable tubing can be found in the "Technical information" document (available in the MediaCentre).

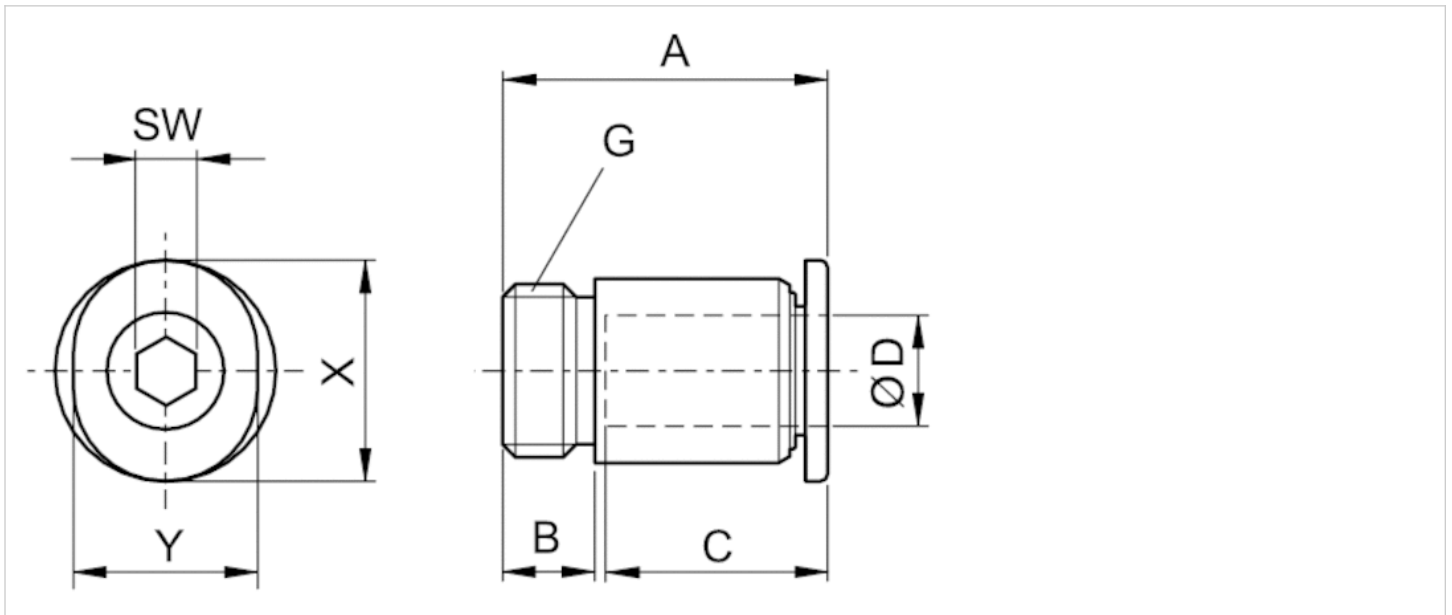
### Technical information

Material	
Material	nickel-plated
Housing	Brass, nickel-plated
Seal	Acrylonitrile butadiene rubber
Tooth lock washer	Stainless steel

Material	
Release ring	Polyoxymethylene
Release ring holder	Die cast zinc Brass, nickel-plated
Thread	Brass, nickel-plated

## Dimensions

### Dimensions in inches



### Dimensions in inches

Part No.	Port D	Port G	A	B	C	SW	X	Y
R432000333	Ø5/32	10-32 UNF	0.63	0.14	0.44	3/32	0.39	0.32
R432000326	Ø1/8	10-32 UNF	0.6	0.14	0.41	3/32	0.28	0.24
R432000318	Ø1/4	10-32 UNF	0.7	0.14	0.46	3/32	0.47	0.39
R432000331	Ø5/32	1/8 NPT	0.6	0.32	0.44	3/32	0.39	0.32
R432000317	Ø1/4	1/8 NPT	0.74	0.32	0.46	5/32	0.47	0.39
R432000325	Ø1/8	1/8 NPT	0.56	0.32	0.41	3/32	0.28	0.24

# Series QR1-S-MAI Mini

- Straight female stud fitting
- Internal thread
- 10-32 UNF
- push-in fitting
- Ø1/8 Ø5/32
- QR1-S-MAI



Working pressure min./max.	-0.95 ... 10 bar
Ambient temperature min./max.	0 ... 60 °C
Weight per piece	0.005 kg

## Technical data

Part No.	Port G	Port D	Delivery unit
R432000301	10-32 UNF	Ø1/8	25 piece
R432000302	10-32 UNF	Ø5/32	25 piece

## Technical information

The series QR1 (plastic) and QR2 (metal) can not be combined  
These pneumatic components with NPT or inch thread dimensions are only available from our US sales organization.

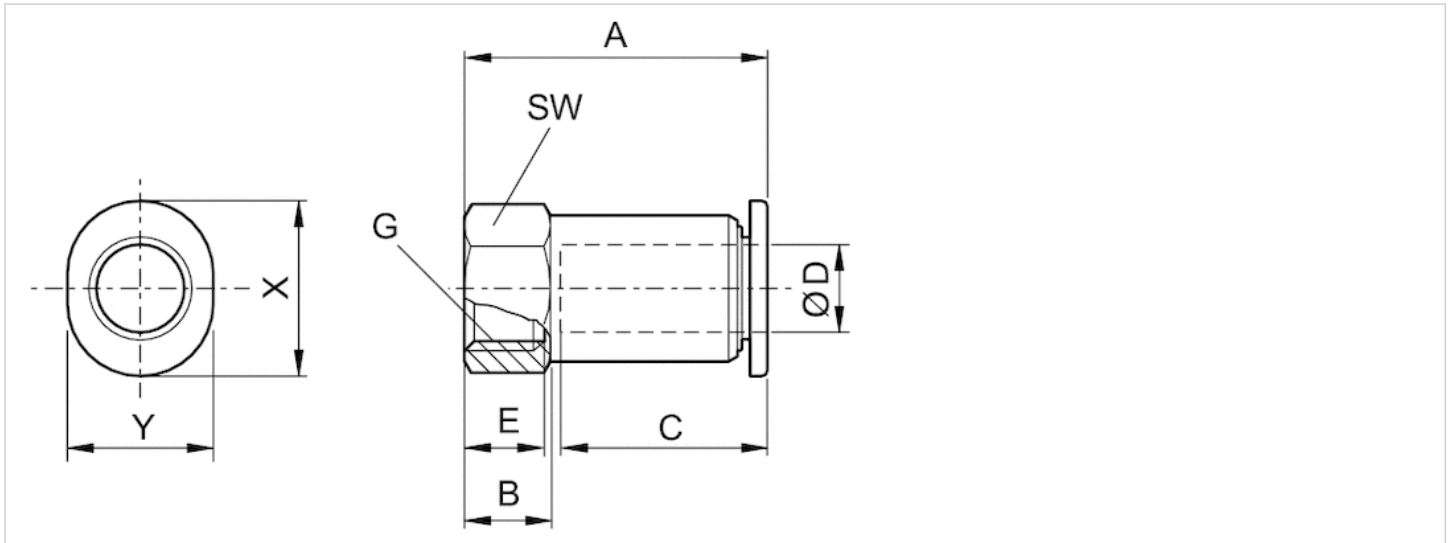
For further information about assembling and tolerances of adaptable tubing can be found in the "Technical information" document (available in the MediaCentre).

## Technical information

Material	
Material	nickel-plated
Housing	Brass, nickel-plated
Seal	Acrylonitrile butadiene rubber
Tooth lock washer	Stainless steel
Release ring	Polyoxymethylene
Release ring holder	Die cast zinc Brass, nickel-plated
Thread	Brass, nickel-plated

## Dimensions

### Dimensions in inches



### Dimensions in inches

Part No.	Port D	Port G	A	B	C	E	SW	X	Y
R432000301	Ø1/8	10-32 UNF	0.62	0.19	0.406	0.2	5/16	7.2	0.24
R432000302	Ø5/32	10-32 UNF	0.62	0.19	0.44	0.2	5/16	0.39	0.31

# Series QR1-S-MVT Mini

- Elbow fitting
- External thread
- 10-32 UNF 1/8 NPT
- push-in fitting
- Ø1/8 Ø1/4 Ø5/32
- QR1-S-MVT



Working pressure min./max.	-0.95 ... 10 bar
Ambient temperature min./max.	0 ... 60 °C
Weight per piece	0.005 kg

## Technical data

Part No.	Port G	Port D	Delivery unit
R432000358	10-32 UNF	Ø1/8	25 piece
R432000356	10-32 UNF	Ø1/4	25 piece
R432000357	1/8 NPT	Ø1/8	25 piece
R432000359	1/8 NPT	Ø5/32	25 piece
R432000355	1/8 NPT	Ø1/4	25 piece

## Technical information

The series QR1 (plastic) and QR2 (metal) can not be combined

Thread seal with captive O-ring

These pneumatic components with NPT or inch thread dimensions are only available from our US sales organization.

For further information about assembling and tolerances of adaptable tubing can be found in the "Technical information" document (available in the MediaCentre).

## Technical information

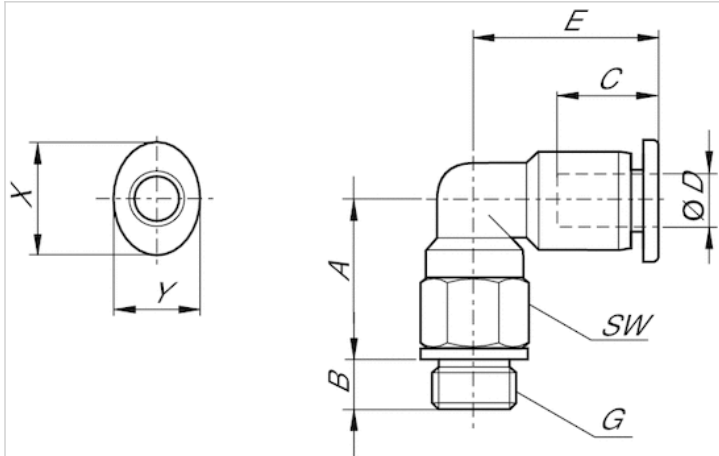
Material	
Material	nickel-plated
Housing	Polybutyleneterephthalate
Seal	Acrylonitrile butadiene rubber
Tooth lock washer	Stainless steel
Release ring	Polyoxymethylene



Material	
Release ring holder	Die cast zinc Brass, nickel-plated
Thread	Brass, nickel-plated

## Dimensions

### Dimensions in inches



### Dimensions in inches

Part No.	Port D	Port G	A	B	C	E	SW	X	Y
R432000358	Ø1/8	10-32 UNF	0.57	0.14	0.36	0.42	5/16	0.28	0.24
R432000356	Ø1/4	10-32 UNF	0.61	0.14	0.47	0.64	5/16	0.47	0.39
R432000357	Ø1/8	1/8 NPT	0.67	0.32	0.36	0.42	13/32	0.28	0.24
R432000359	Ø5/32	1/8 NPT	0.68	0.32	0.46	0.62	13/32	0.39	0.32
R432000355	Ø1/4	1/8 NPT	0.69	0.32	0.47	0.64	13/32	0.47	0.39

## Series QR1-S-MVL Mini

- Long elbow fitting
- External thread
- 10-32 UNF 1/8 NPT
- push-in fitting
- Ø1/8 Ø5/32 Ø1/4
- QR1-S-MVL



Working pressure min./max.	-0.95 ... 10 bar
Ambient temperature min./max.	0 ... 60 °C
Weight per piece	0.009 kg

### Technical data

Part No.	Port G	Port D	Delivery unit
R432000352	10-32 UNF	Ø1/8	25 piece
R432000354	10-32 UNF	Ø5/32	25 piece
R432000350	10-32 UNF	Ø1/4	25 piece
R432000351	1/8 NPT	Ø1/8	25 piece
R432000353	1/8 NPT	Ø5/32	25 piece
R432000349	1/8 NPT	Ø1/4	25 piece

### Technical information

The series QR1 (plastic) and QR2 (metal) can not be combined

Thread seal with captive O-ring

These pneumatic components with NPT or inch thread dimensions are only available from our US sales organization.

For further information about assembling and tolerances of adaptable tubing can be found in the "Technical information" document (available in the MediaCentre).

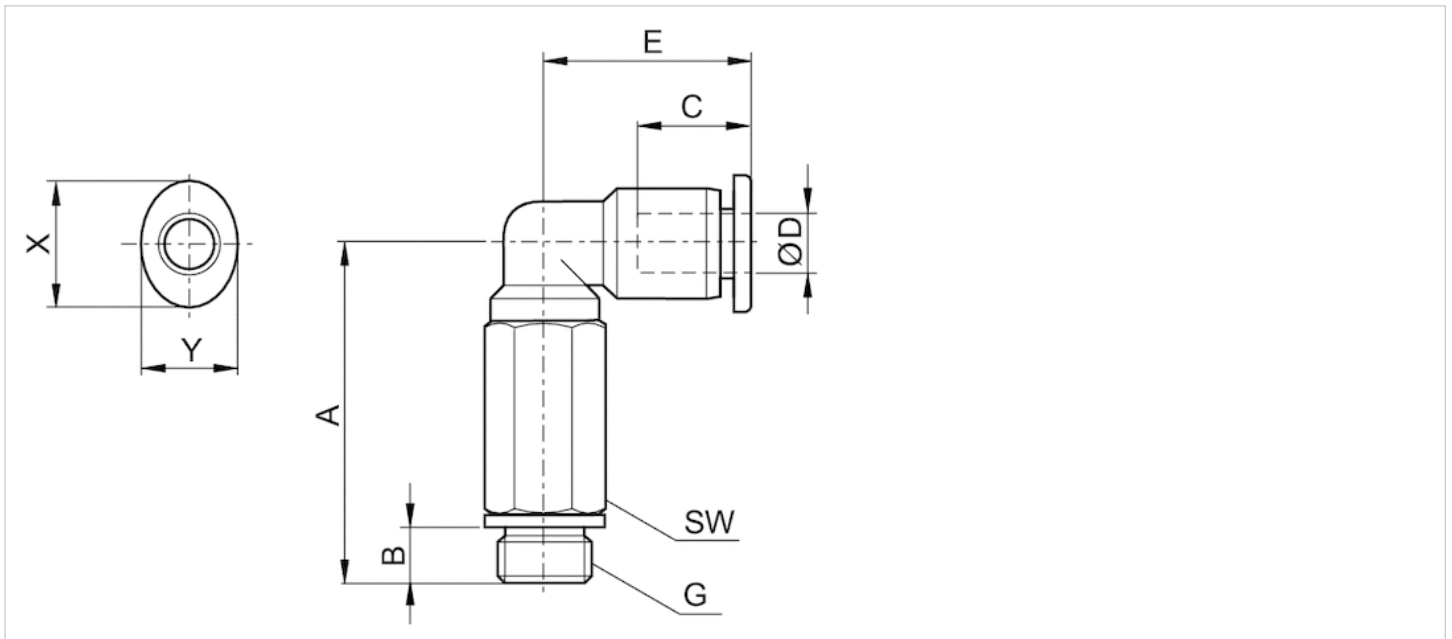
### Technical information

Material	
Material	nickel-plated
Housing	Polybutyleneterephthalate
Seal	Acrylonitrile butadiene rubber
Tooth lock washer	Stainless steel

Material	
Release ring	Polyoxymethylene
Release ring holder	Die cast zinc Brass, nickel-plated
Thread	Brass, nickel-plated

## Dimensions

### Dimensions in inches



### Dimensions in inches

Part No.	Port D	Port G	A	B	C	E	SW	X	Y
R432000352	Ø1/8	10-32 UNF	0.98	0.14	0.36	0.32	5/16	0.28	0.24
R432000354	Ø5/32	10-32 UNF	0.98	0.14	0.46	0.62	5/16	0.39	0.32
R432000350	Ø1/4	10-32 UNF	1.02	0.14	0.47	0.64	5/16	0.47	0.39
R432000351	Ø1/8	1/8 NPT	1.06	0.32	0.36	0.42	13/32	0.28	0.24
R432000353	Ø5/32	1/8 NPT	1.03	0.32	0.46	0.62	13/32	0.39	0.32
R432000349	Ø1/4	1/8 NPT	1.18	0.32	0.47	0.64	13/32	0.47	0.39

# Series QR1-S-MTT Mini

- T-union
- External thread
- 10-32 UNF 1/8 NPT
- push-in fitting
- Ø1/8 Ø5/32 Ø1/4
- QR1-S-MTT



Working pressure min./max.	-0.95 ... 10 bar
Ambient temperature min./max.	0 ... 60 °C
Weight per piece	See table below

## Technical data

Part No.	Port G	Port D	Delivery unit	Weight per piece
R432000342	10-32 UNF	Ø1/8	25 piece	0.005 kg
R432000344	10-32 UNF	Ø5/32	25 piece	0.005 kg
R432000340	10-32 UNF	Ø1/4	25 piece	0.005 kg
R432000341	1/8 NPT	Ø1/8	25 piece	0.009 kg
R432000343	1/8 NPT	Ø5/32	25 piece	0.009 kg
R432000339	1/8 NPT	Ø1/4	25 piece	0.009 kg

## Technical information

The series QR1 (plastic) and QR2 (metal) can not be combined

Thread seal with captive O-ring

These pneumatic components with NPT or inch thread dimensions are only available from our US sales organization.

For further information about assembling and tolerances of adaptable tubing can be found in the "Technical information" document (available in the MediaCentre).

## Technical information

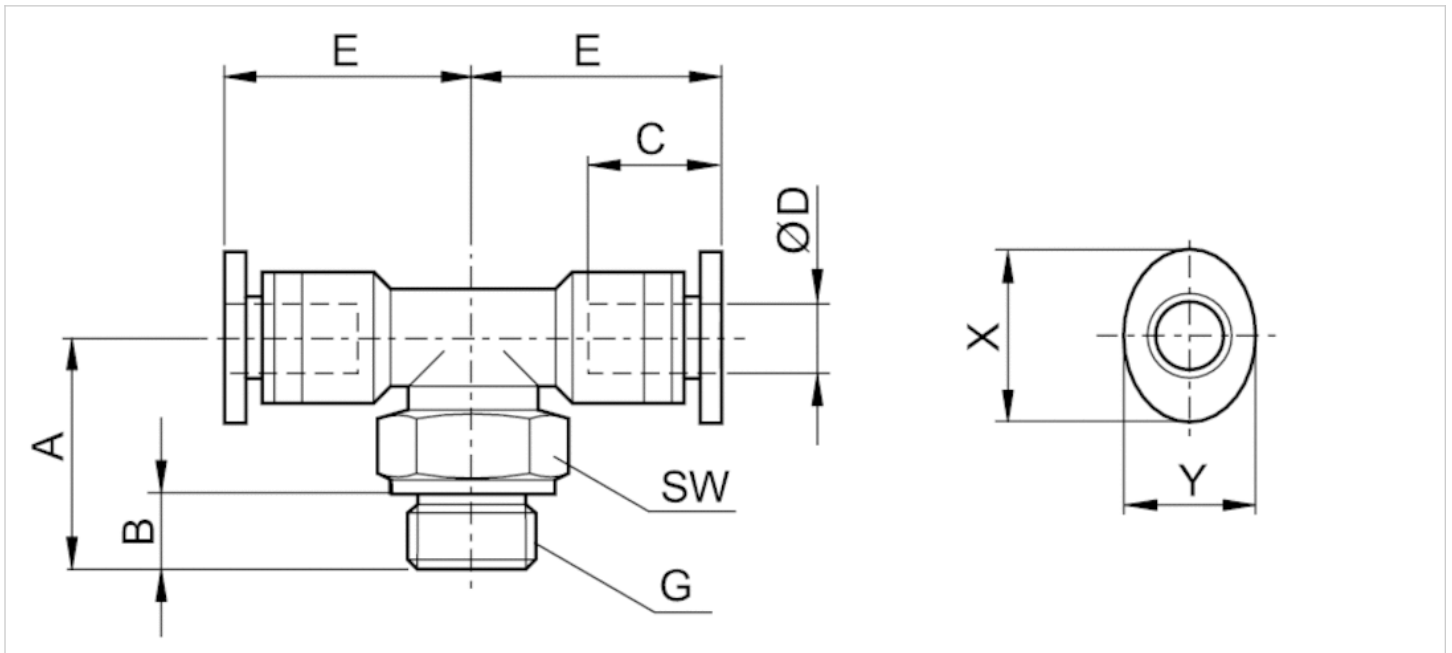
### Material

Material	nickel-plated
Housing	Polybutyleneterephthalate
Seal	Acrylonitrile butadiene rubber
Tooth lock washer	Stainless steel

Material	
Release ring	Polyoxymethylene
Release ring holder	Die cast zinc Brass, nickel-plated
Thread	Brass, nickel-plated

## Dimensions

### Dimensions in inches



### Dimensions in inches

Part No.	Port D	Port G	A	B	C	E	SW	X	Y
R432000342	Ø1/8	10-32 UNF	0.98	0.14	0.36	0.52	5/16	0.28	0.24
R432000344	Ø5/32	10-32 UNF	0.98	0.14	0.46	0.62	5/16	0.39	0.32
R432000340	Ø1/4	10-32 UNF	1.02	0.14	0.47	0.65	5/16	0.47	0.39
R432000341	Ø1/8	1/8 NPT	1.06	0.32	0.36	0.52	13/32	0.28	0.24
R432000343	Ø5/32	1/8 NPT	1.03	0.32	0.46	0.62	13/32	0.39	0.32
R432000339	Ø1/4	1/8 NPT	1.18	0.32	0.47	0.65	13/32	0.47	0.39

# Series QR1-S-MLT Mini

- Elbow fitting
- External thread
- 10-32 UNF 1/8 NPT
- push-in fitting
- Ø1/8 Ø5/32 Ø1/4
- QR1-S-MLT



Working pressure min./max.	-0.95 ... 10 bar
Ambient temperature min./max.	0 ... 60 °C
Weight per piece	See table below

## Technical data

Part No.	Port G	Port D	Delivery unit	Weight per piece
R432000310	10-32 UNF	Ø1/8	25 piece	0.005 kg
R432000312	10-32 UNF	Ø5/32	25 piece	0.005 kg
R432000308	10-32 UNF	Ø1/4	25 piece	0.005 kg
R432000309	1/8 NPT	Ø1/8	25 piece	0.005 kg
R432000311	1/8 NPT	Ø5/32	25 piece	0.009 kg
R432000307	1/8 NPT	Ø1/4	25 piece	0.009 kg

## Technical information

The series QR1 (plastic) and QR2 (metal) can not be combined

Thread seal with captive O-ring

These pneumatic components with NPT or inch thread dimensions are only available from our US sales organization.

For further information about assembling and tolerances of adaptable tubing can be found in the "Technical information" document (available in the MediaCentre).

## Technical information

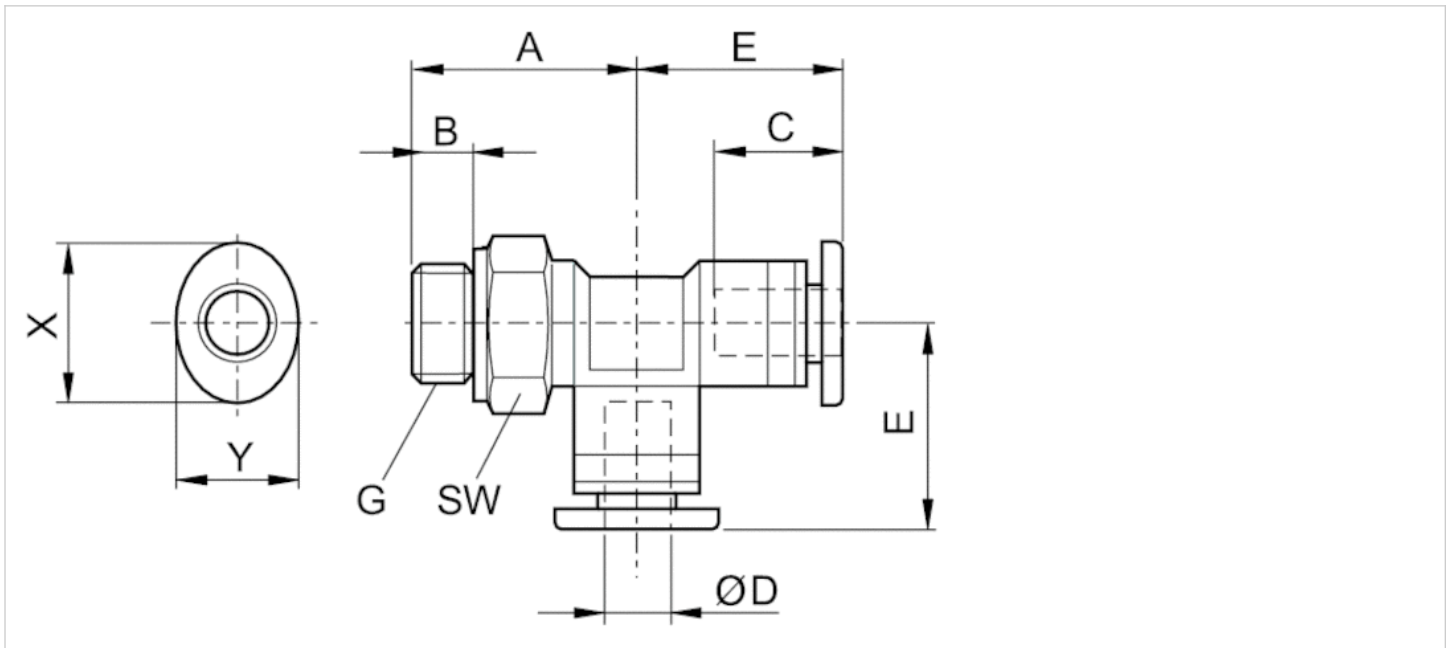
### Material

Material	nickel-plated
Housing	Polybutyleneterephthalate
Seal	Acrylonitrile butadiene rubber
Tooth lock washer	Stainless steel

Material	
Release ring	Polyoxymethylene
Release ring holder	Die cast zinc Brass, nickel-plated
Thread	Brass, nickel-plated

## Dimensions

### Dimensions in inches



### Dimensions in inches

Part No.	Port D	Port G	A	B	C	E	SW	X	Y
R432000310	Ø1/8	10-32 UNF	0.98	0.14	0.36	0.43	5/16	0.28	0.24
R432000312	Ø5/32	10-32 UNF	0.98	0.14	0.7	0.54	5/16	0.39	0.32
R432000308	Ø1/4	10-32 UNF	1.02	0.14	0.47	0.58	5/16	0.47	0.39
R432000309	Ø1/8	1/8 NPT	1.06	0.32	0.36	0.43	13/32	0.28	0.24
R432000311	Ø5/32	1/8 NPT	1.03	0.32	0.7	0.54	13/32	0.39	0.32
R432000307	Ø1/4	1/8 NPT	1.18	0.31	0.47	0.58	13/32	0.47	0.39

## Series QR1-S-MSK Mini

- Straight plug connector
- push-in fitting
- Ø1/8 Ø1/4
- push-in fitting
- Ø1/8 Ø1/4
- QR1-S-MSK



Working pressure min./max.	-0.95 ... 10 bar
Ambient temperature min./max.	0 ... 60 °C
Weight per piece	0.005 kg

### Technical data

Part No.	Port G	Port D	Delivery unit
R432000336	Ø1/8	Ø1/8	25 piece
R432000335	Ø1/4	Ø1/4	25 piece

### Technical information

The series QR1 (plastic) and QR2 (metal) can not be combined  
 These pneumatic components with NPT or inch thread dimensions are only available from our US sales organization.

For further information about assembling and tolerances of adaptable tubing can be found in the "Technical information" document (available in the MediaCentre).

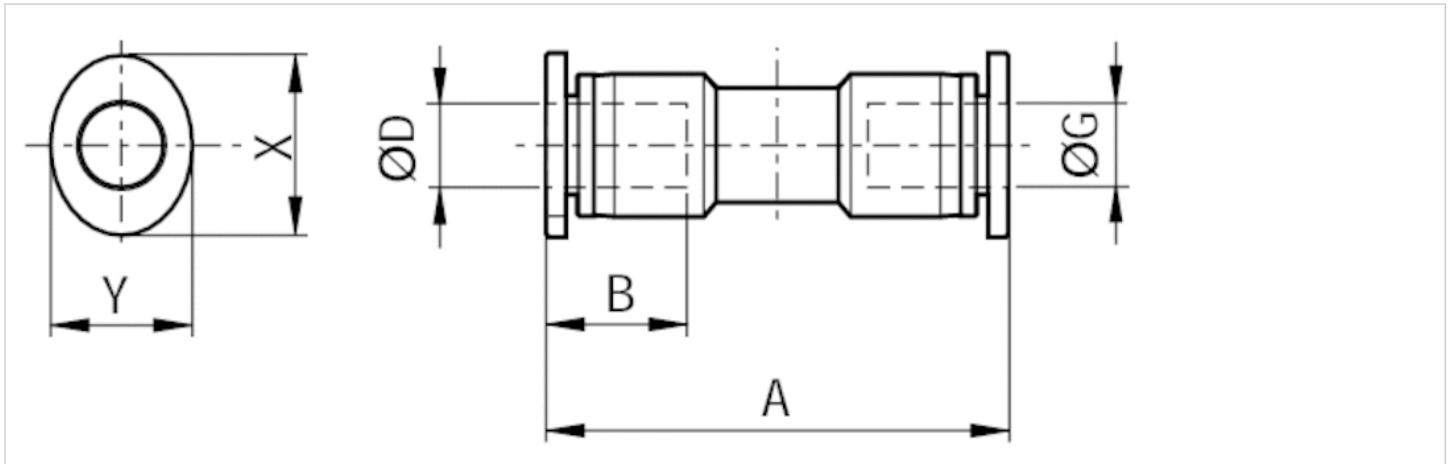
### Technical information

Material	
Material	nickel-plated
Housing	Polybutyleneterephthalate
Seal	Acrylonitrile butadiene rubber
Tooth lock washer	Stainless steel
Release ring	Polyoxymethylene
Release ring holder	Die cast zinc Brass, nickel-plated



## Dimensions

### Dimensions in inches



### Dimensions in inches

Part No.	Port D	Port G	A	B	X	Y
R432000336	$\text{Ø}1/8$	$\text{Ø}1/8$	0.75	0.36	0.28	0.24
R432000335	$\text{Ø}1/4$	$\text{Ø}1/4$	0.95	0.47	0.47	0.39

# Series QR1-S-MSR Mini

- Straight plug connector, reducing
- push-in fitting
- Ø5/32
- push-in fitting
- Ø1/8
- QR1-S-MSR



Working pressure min./max.                    -0.95 ... 10 bar  
 Ambient temperature min./max.            0 ... 60 °C  
 Weight per piece                                0.005 kg

## Technical data

Part No.	Port G	Port D	Delivery unit
R432000328	Ø5/32	Ø1/8	25 piece

## Technical information

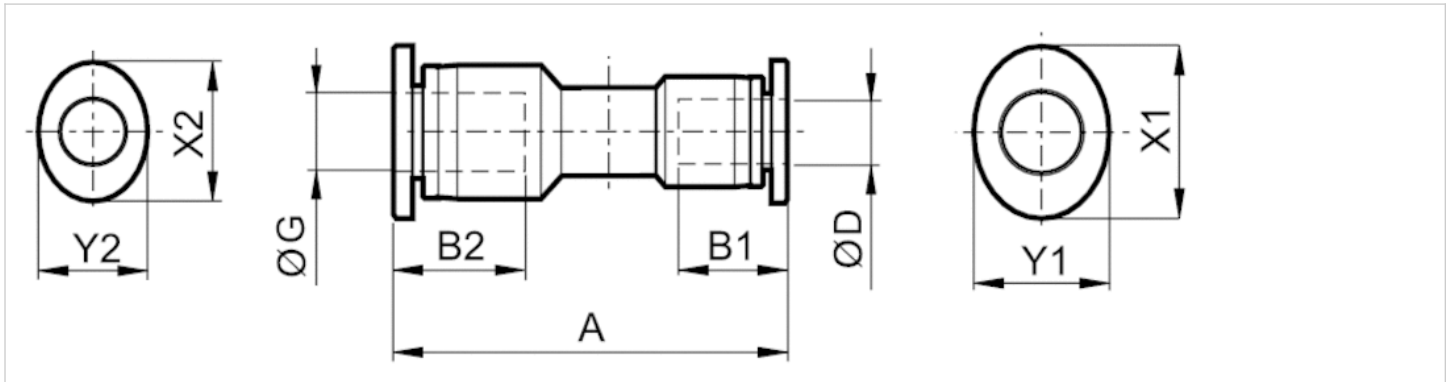
The series QR1 (plastic) and QR2 (metal) can not be combined  
 These pneumatic components with NPT or inch thread dimensions are only available from our US sales organization.  
 For further information about assembling and tolerances of adaptable tubing can be found in the "Technical information" document (available in the MediaCentre).

## Technical information

Material	
Material	nickel-plated
Housing	Polybutyleneterephthalate
Seal	Acrylonitrile butadiene rubber
Tooth lock washer	Stainless steel
Release ring	Polyoxymethylene
Release ring holder	Die cast zinc Brass, nickel-plated

## Dimensions

### Dimensions in inches



### Dimensions in inches

Part No.	Port D	Port G	A	B1	B2	X1	Y1	X2	Y2
R432000328	Ø1/8	Ø5/32	0.84	0.46	0.35	0.28	0.24	0.39	0.31

# Series QR1-S-MSM Mini

- Bulkhead push-in fitting, metal
- push-in fitting
- Ø1/8
- push-in fitting
- Ø1/8
- QR1-S-MSM



Working pressure min./max.	-0.95 ... 10 bar
Ambient temperature min./max.	0 ... 60 °C
Weight per piece	0.005 kg

## Technical data

Part No.	Port G	Port D	Delivery unit
R432000334	Ø1/8	Ø1/8	25 piece

## Technical information

The series QR1 (plastic) and QR2 (metal) can not be combined

These pneumatic components with NPT or inch thread dimensions are only available from our US sales organization.

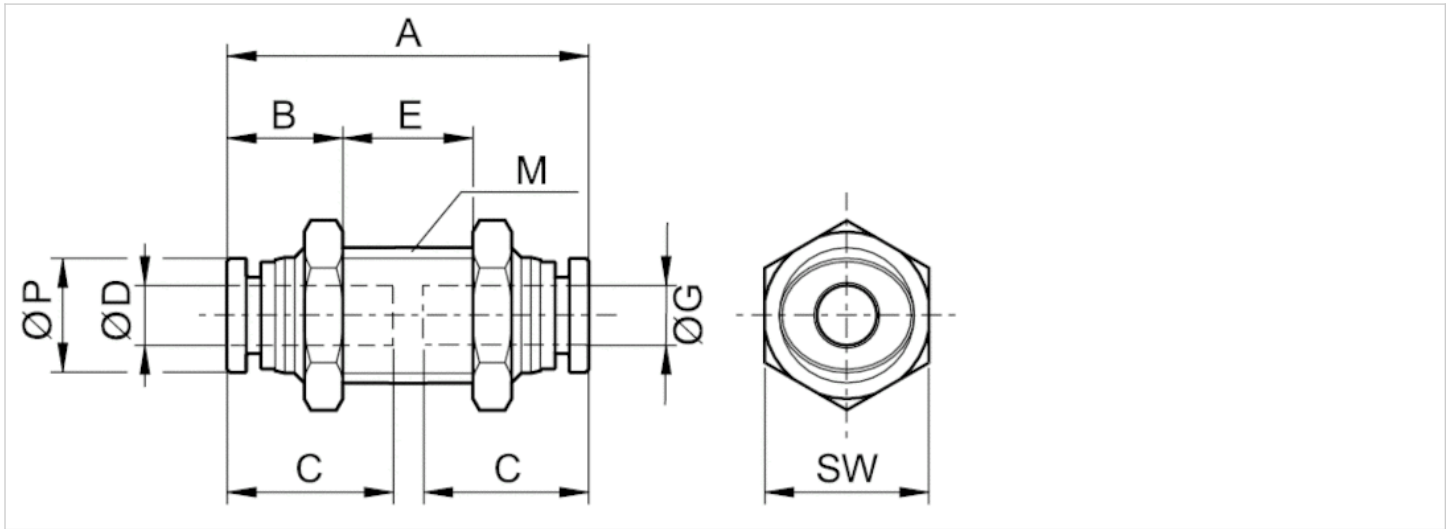
For further information about assembling and tolerances of adaptable tubing can be found in the "Technical information" document (available in the MediaCentre).

## Technical information

Material	
Material	nickel-plated
Housing	Brass, nickel-plated
Seal	Acrylonitrile butadiene rubber
Tooth lock washer	Stainless steel
Release ring	Polyoxymethylene
Release ring holder	Die cast zinc Brass, nickel-plated

## Dimensions

### Dimensions in inches



### Dimensions in inches

Part No.	Port D	Port G	B	E	A	SW	C	M
R432000334	Ø1/8	Ø1/8	0.28	0.3	0.71	13/32	0.41	M8x0,75

# Series QR1-S-MVK Mini

- Angled plug connector
- push-in fitting
- Ø1/4 Ø1/8
- push-in fitting
- Ø1/4 Ø1/8
- QR1-S-MVK



Working pressure min./max.	-0.95 ... 10 bar
Ambient temperature min./max.	0 ... 60 °C
Weight per piece	0.005 kg

## Technical data

Part No.	Port G	Port D	Delivery unit
R432000347	Ø1/4	Ø1/4	25 piece
R432000348	Ø1/8	Ø1/8	25 piece

## Technical information

The series QR1 (plastic) and QR2 (metal) can not be combined  
 These pneumatic components with NPT or inch thread dimensions are only available from our US sales organization.

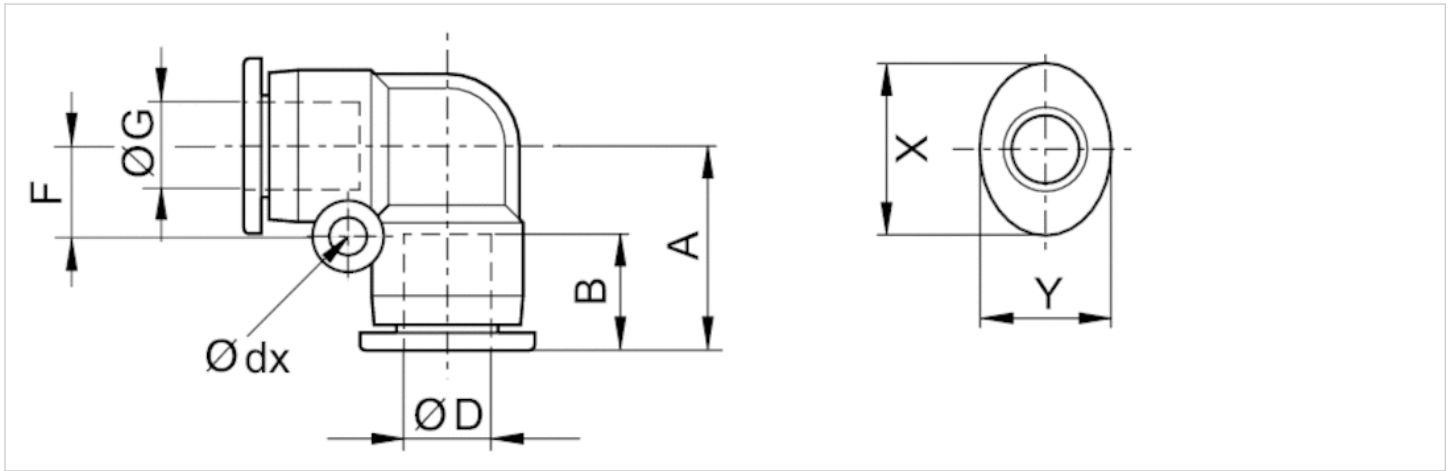
For further information about assembling and tolerances of adaptable tubing can be found in the "Technical information" document (available in the MediaCentre).

## Technical information

Material	
Material	nickel-plated
Housing	Polybutyleneterephthalate
Seal	Acrylonitrile butadiene rubber
Tooth lock washer	Stainless steel
Release ring	Polyoxymethylene
Release ring holder	Die cast zinc Brass, nickel-plated

## Dimensions

### Dimensions in inches



### Dimensions in inches

Part No.	Port D	Port G	Ødx	A	B	F	X	Y
R432000347	Ø1/4	Ø1/4	0,13	0.58	0.47	0.47	0.39	0.01
R432000348	Ø1/8	Ø1/8	0,13	0.43	0.35	0.28	0.24	0.01

## Series QR1-S-MTK Mini

- T-plug connector
- push-in fitting
- Ø1/4 Ø1/8
- push-in fitting
- Ø1/4 Ø1/8
- QR1-S-MTK



Working pressure min./max.	-0.95 ... 10 bar
Ambient temperature min./max.	0 ... 60 °C
Weight per piece	0.005 kg

### Technical data

Part No.	Port G	Port D	Delivery unit
R432000337	Ø1/4	Ø1/4	25 piece
R432000338	Ø1/8	Ø1/8	25 piece

### Technical information

The series QR1 (plastic) and QR2 (metal) can not be combined

These pneumatic components with NPT or inch thread dimensions are only available from our US sales organization.

For further information about assembling and tolerances of adaptable tubing can be found in the "Technical information" document (available in the MediaCentre).

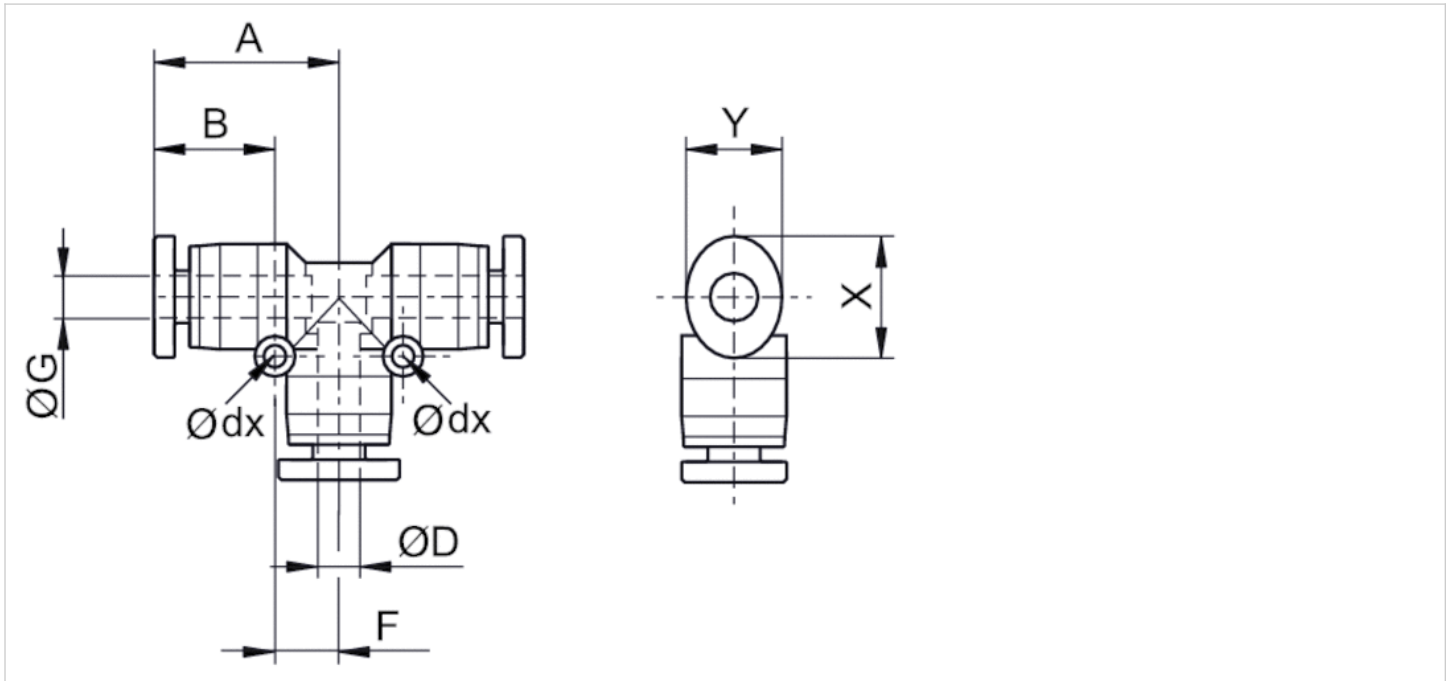
### Technical information

Material	
Material	nickel-plated
Housing	Polybutyleneterephthalate
Seal	Acrylonitrile butadiene rubber
Tooth lock washer	Stainless steel
Release ring	Polyoxymethylene
Release ring holder	Die cast zinc Brass, nickel-plated
Thread	Brass, nickel-plated



## Dimensions

### Dimensions in inches



### Dimensions in inches

Part No.	Port D	Port G	Ødx	A	B	X	Y
R432000337	Ø1/4	Ø1/4	0.13	0.58	0.47	0.47	0.39
R432000338	Ø1/8	Ø1/8	0.13	0.43	0.36	0.28	0.24

## Series QR1-S-MYK Mini

- Y-Plug connector, reducing
- push-in fitting
- Ø1/4 Ø1/8
- push-in fitting
- Ø1/4 Ø1/8
- QR1-S-MYK



Working pressure min./max.	-0.95 ... 10 bar
Ambient temperature min./max.	0 ... 60 °C
Weight per piece	0.005 kg

### Technical data

Part No.	Port G	Port D	Delivery unit
R432000319	Ø1/4	Ø1/4	25 piece
R432000327	Ø1/8	Ø1/8	25 piece

### Technical information

The series QR1 (plastic) and QR2 (metal) can not be combined  
 These pneumatic components with NPT or inch thread dimensions are only available from our US sales organization.

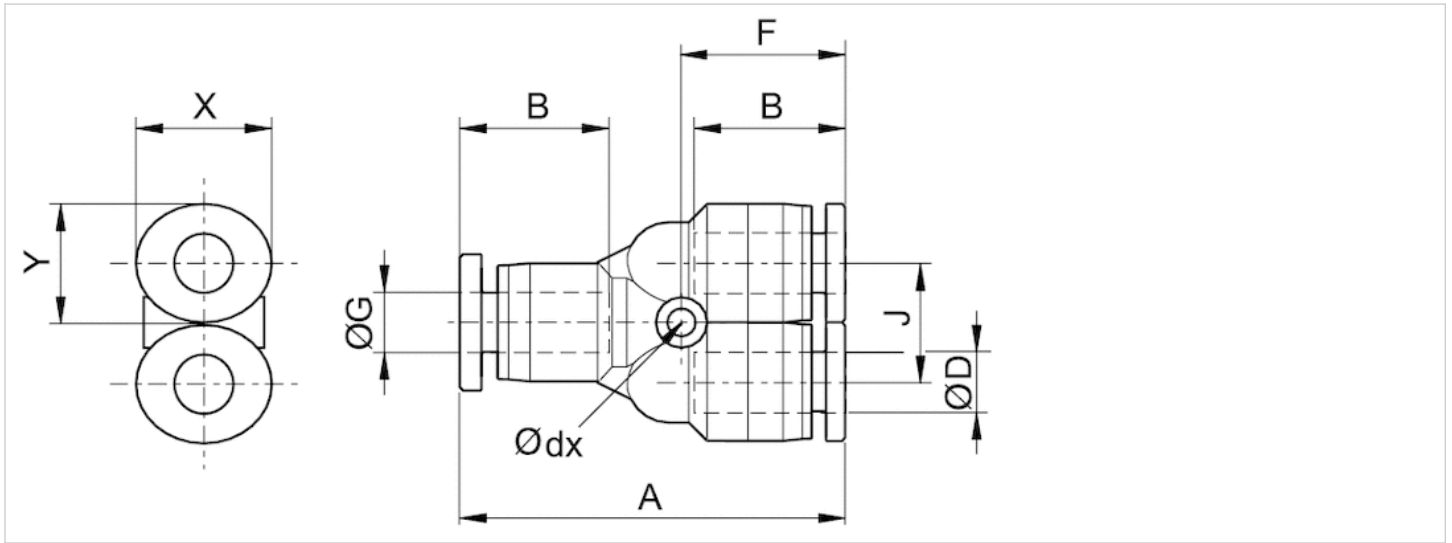
For further information about assembling and tolerances of adaptable tubing can be found in the "Technical information" document (available in the MediaCentre).

### Technical information

Material	
Material	nickel-plated
Housing	Polybutyleneterephthalate
Seal	Acrylonitrile butadiene rubber
Tooth lock washer	Stainless steel
Release ring	Polyoxymethylene
Release ring holder	Die cast zinc Brass, nickel-plated

## Dimensions

### Dimensions in inches



### Dimensions in inches

Part No.	Port D	Port G	$\text{Ø dx}$	A	B	F	J	X	Y
R432000319	$\text{Ø}1/4$	$\text{Ø}1/4$	0.13	1.26	0.49	0.54	0.42	0.47	0.39
R432000327	$\text{Ø}1/8$	$\text{Ø}1/8$	0.13	1.18	0.43	0.52	0.32	0.35	0.28

# Series QR1-S-MYR Mini

- Y-Plug connector, reducing
- push-in fitting
- Ø5/32 Ø1/8
- push-in fitting
- Ø1/4 Ø5/32
- QR1-S-MYR



Working pressure min./max. -0.95 ... 10 bar  
 Ambient temperature min./max. 0 ... 60 °C  
 Weight per piece 0.005 kg

## Technical data

Part No.	Port G	Port D	Delivery unit
R432000363	Ø5/32	Ø1/4	25 piece
R432000364	Ø1/8	Ø5/32	25 piece

## Technical information

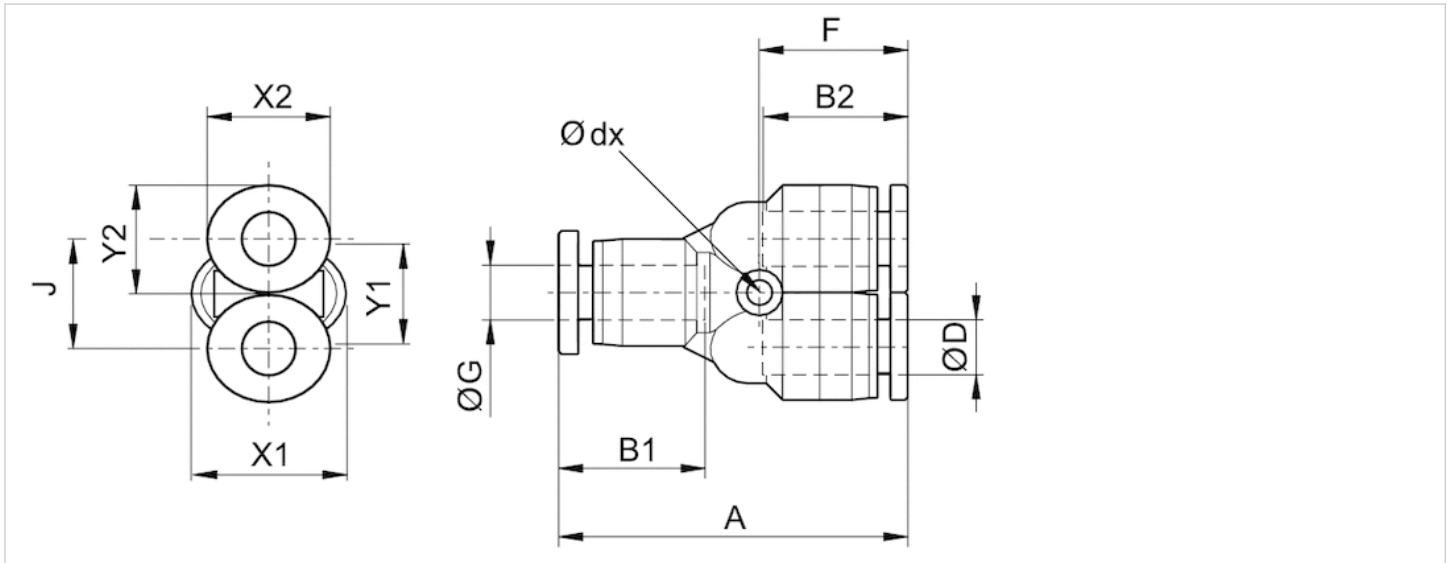
The series QR1 (plastic) and QR2 (metal) can not be combined  
 These pneumatic components with NPT or inch thread dimensions are only available from our US sales organization.  
 For further information about assembling and tolerances of adaptable tubing can be found in the "Technical information" document (available in the MediaCentre).

## Technical information

Material	
Material	nickel-plated
Housing	Polybutyleneterephthalate
Seal	Acrylonitrile butadiene rubber
Tooth lock washer	Stainless steel
Release ring	Polyoxymethylene
Release ring holder	Die cast zinc Brass, nickel-plated

## Dimensions

### Dimensions in inches



### Dimensions in inches

Part No.	Port D	Port G	Ø dx	A	B1	B2	J	X1	Y1	X2	Y2
R432000363	Ø1/4	Ø5/32	0.13	1.15	0.46	0.36	0.32	0.39	0.32	0.28	0.24
R432000364	Ø5/32	Ø1/8	0.13	1.14	0.36	0.36	0.32	0.28	0.24	0.28	0.24

## Series QR1-S-MXS Mini

- X-Plug connection
- push-in fitting
- Ø1/8 Ø1/4
- push-in fitting
- Ø1/8 Ø1/4
- QR1-S-MXS



Working pressure min./max.	-0.95 ... 10 bar
Ambient temperature min./max.	0 ... 60 °C
Weight per piece	0.005 kg

### Technical data

Part No.	Port G	Port D	Delivery unit
R432000323	Ø1/8	Ø1/8	25 piece
R432000315	Ø1/4	Ø1/4	25 piece

### Technical information

The series QR1 (plastic) and QR2 (metal) can not be combined  
 These pneumatic components with NPT or inch thread dimensions are only available from our US sales organization.

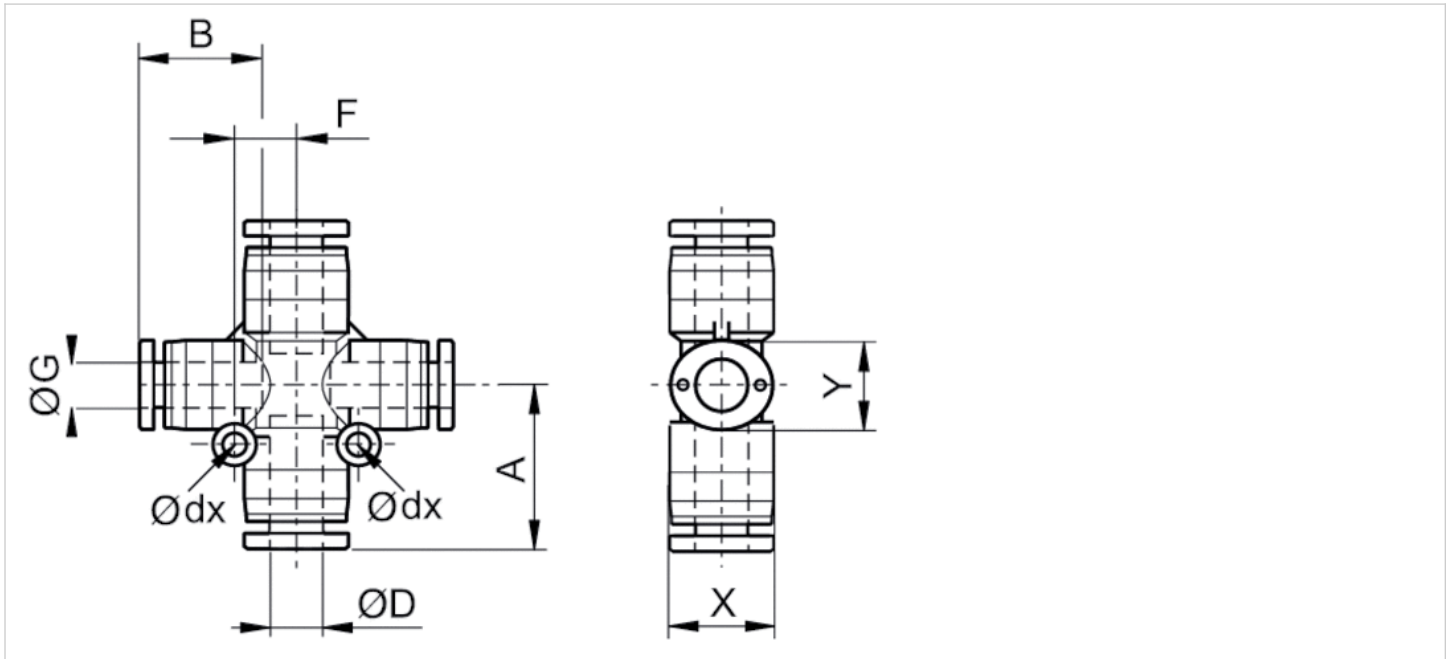
For further information about assembling and tolerances of adaptable tubing can be found in the "Technical information" document (available in the MediaCentre).

### Technical information

Material	
Material	nickel-plated
Housing	Polybutyleneterephthalate
Seal	Acrylonitrile butadiene rubber
Tooth lock washer	Stainless steel
Release ring	Polyoxymethylene
Release ring holder	Die cast zinc Brass, nickel-plated

## Dimensions

### Dimensions in inches



### Dimensions in inches

Part No.	Port D	Port G	Ø dx	A	B	F	X	Y
R432000323	Ø1/8	Ø1/8	0.13	0.95	0.47	0.47	0.39	0.01
R432000315	Ø1/4	Ø1/4	0.13	0.75	0.36	0.28	0.24	0.01

# Series QR1-S-MED Mini

- Straight push-in fitting, reducing
- pin bushing
- Ø5/32
- push-in fitting
- Ø1/4
- QR1-S-MED



Working pressure min./max.	-0.95 ... 10 bar
Ambient temperature min./max.	0 ... 60 °C
Weight per piece	0.005 kg

## Technical data

Part No.	Port G	Port D	Delivery unit
R432000305	Ø5/32	Ø1/4	25 piece

## Technical information

The series QR1 (plastic) and QR2 (metal) can not be combined  
 These pneumatic components with NPT or inch thread dimensions are only available from our US sales organization.  
 For further information about assembling and tolerances of adaptable tubing can be found in the "Technical information" document (available in the MediaCentre).

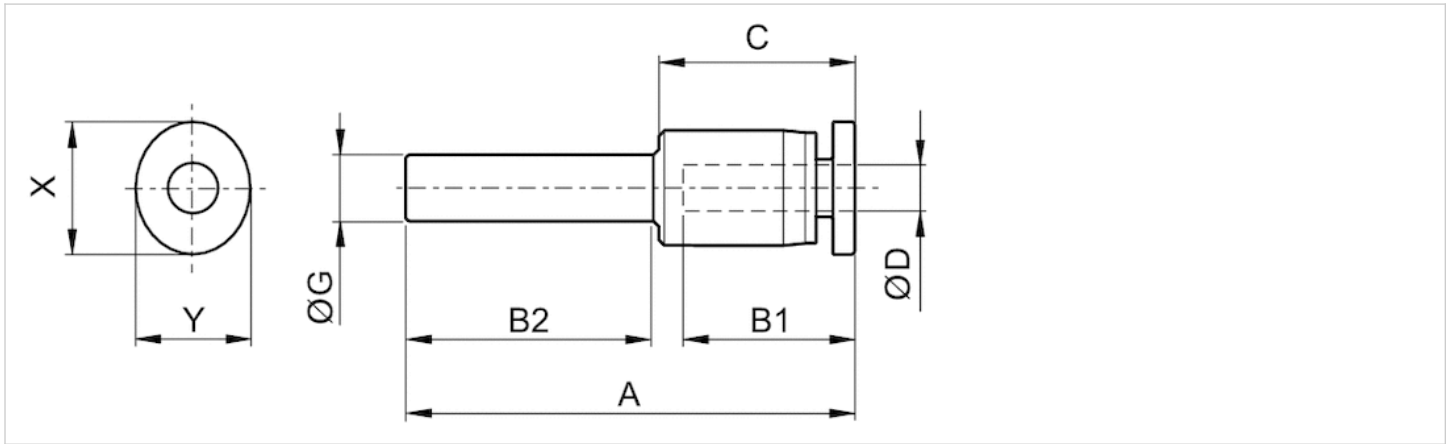
## Technical information

Material	
Material	nickel-plated
Housing	Polybutyleneterephthalate
Seal	Acrylonitrile butadiene rubber
Tooth lock washer	Stainless steel
Release ring	Polyoxymethylene
Release ring holder	Die cast zinc Brass, nickel-plated



## Dimensions

### Dimensions in inches



### Dimensions in inches

Part No.	Port D	Port G	A	B1	B2	C	X	Y
R432000305	Ø1/4	Ø5/32	1.29	0.46	0.47	0.5	0.39	0.31

# Series QR1-S-MVA Mini

- Angled plug-in connector
- pin bushing
- Ø1/4 Ø1/8
- push-in fitting
- Ø1/4 Ø1/8
- QR1-S-MVA



Working pressure min./max. -0.95 ... 10 bar  
 Ambient temperature min./max. 0 ... 60 °C  
 Weight per piece 0.005 kg

## Technical data

Part No.	Port G	Port D	Delivery unit
R432000345	Ø1/4	Ø1/4	25 piece
R432000346	Ø1/8	Ø1/8	25 piece

## Technical information

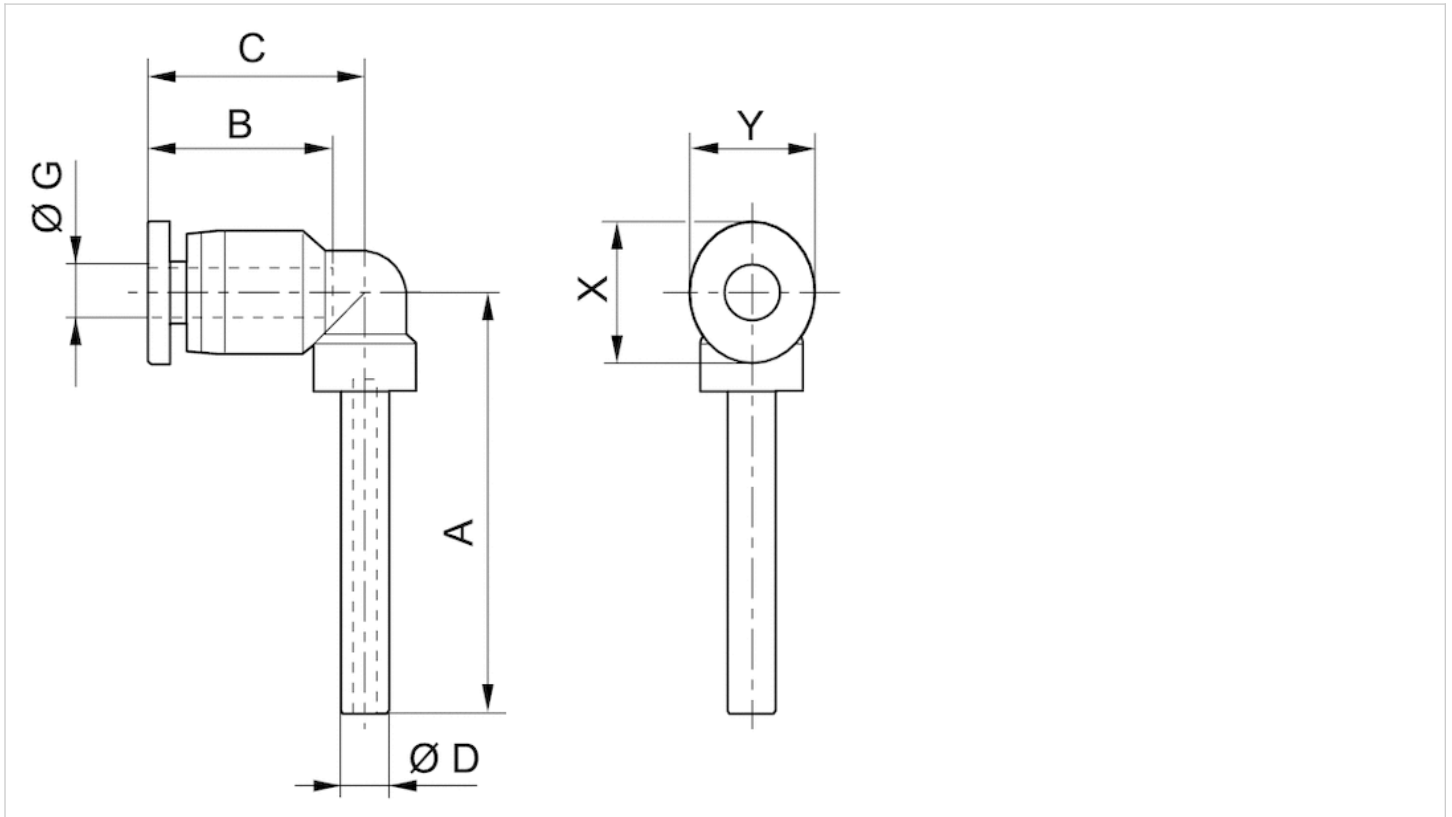
The series QR1 (plastic) and QR2 (metal) can not be combined  
 These pneumatic components with NPT or inch thread dimensions are only available from our US sales organization.  
 For further information about assembling and tolerances of adaptable tubing can be found in the "Technical information" document (available in the MediaCentre).

## Technical information

Material	
Material	nickel-plated
Housing	Polybutyleneterephthalate
Seal	Acrylonitrile butadiene rubber
Tooth lock washer	Stainless steel
Release ring	Polyoxymethylene
Release ring holder	Die cast zinc Brass, nickel-plated

## Dimensions

### Dimensions in inches



### Dimensions in inches

Part No.	Port D	Port G	A	B	C	X	Y
R432000345	Ø1/4	Ø1/4	1.25	0.476	0.646	0.476	0.396
R432000346	Ø1/8	Ø1/8	0.89	0.36	0.416	0.286	0.246

# Series QR1-S-MYZ Mini

- Y - Push-in fitting
- pin bushing
- Ø1/4 Ø1/8
- push-in fitting
- Ø1/4 Ø1/8
- QR1-S-MYZ



Working pressure min./max.	-0.95 ... 10 bar
Ambient temperature min./max.	0 ... 60 °C
Weight per piece	0.005 kg

## Technical data

Part No.	Port G	Port D	Delivery unit
R432000316	Ø1/4	Ø1/4	25 piece
R432000324	Ø1/8	Ø1/8	25 piece

## Technical information

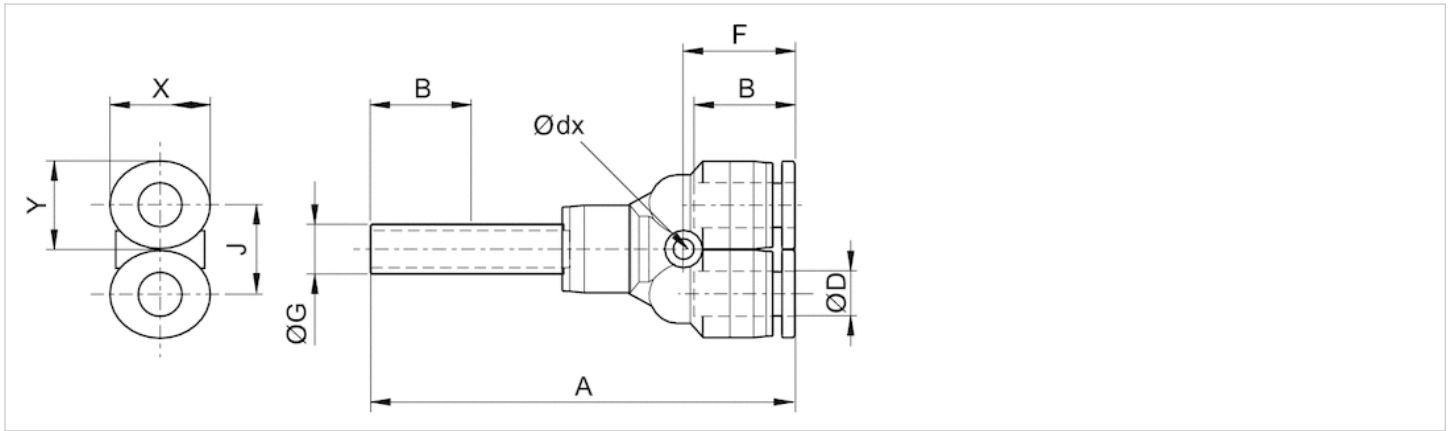
The series QR1 (plastic) and QR2 (metal) can not be combined  
 These pneumatic components with NPT or inch thread dimensions are only available from our US sales organization.  
 For further information about assembling and tolerances of adaptable tubing can be found in the "Technical information" document (available in the MediaCentre).

## Technical information

Material	
Material	nickel-plated
Housing	Polybutyleneterephthalate
Seal	Acrylonitrile butadiene rubber
Tooth lock washer	Stainless steel
Release ring	Polyoxymethylene
Release ring holder	Die cast zinc Brass, nickel-plated

## Dimensions

### Dimensions in inches



### Dimensions in inches

Part No.	Port D	Port G	Ø dx	A	B	F	J	X	Y
R432000316	Ø1/4	Ø1/4	0.13	1.99	0.47	0.4	0.47	0.39	0.01
R432000324	Ø1/8	Ø1/8	0.13	1.71	0.36	0.32	0.28	0.24	0.01

# Series QR1-S-MY2 Mini

- Y - Push-in fitting
- pin bushing
- Ø5/32 Ø1/4
- push-in fitting
- Ø1/8 Ø5/32
- QR1-S-MY2



Working pressure min./max.	-0.95 ... 10 bar
Ambient temperature min./max.	0 ... 60 °C
Weight per piece	0.006 kg

## Technical data

Part No.	Port G	Port D	Delivery unit
R432000362	Ø5/32	Ø1/8	25 piece
R432000361	Ø1/4	Ø5/32	25 piece

## Technical information

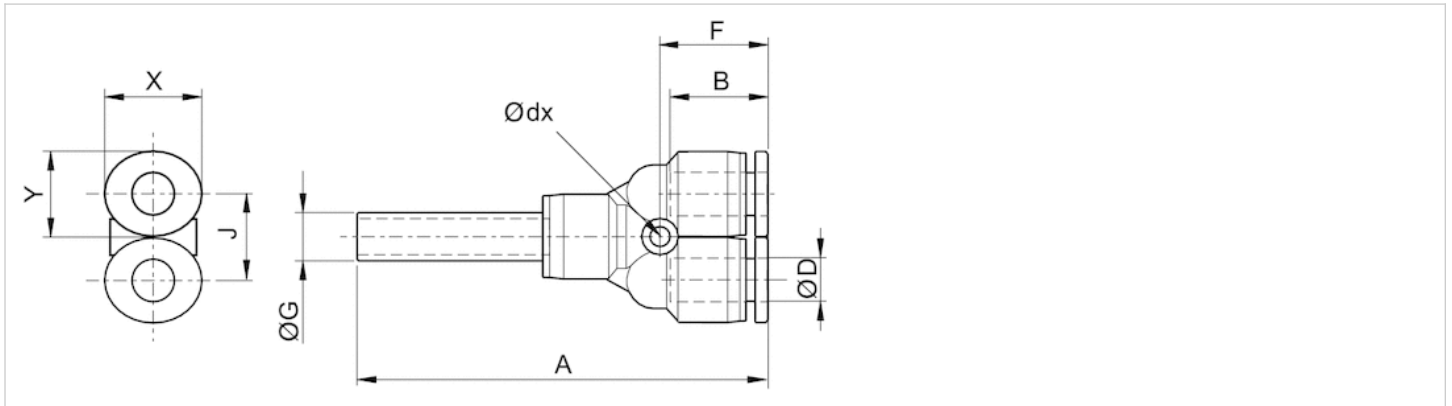
The series QR1 (plastic) and QR2 (metal) can not be combined  
 These pneumatic components with NPT or inch thread dimensions are only available from our US sales organization.  
 For further information about assembling and tolerances of adaptable tubing can be found in the "Technical information" document (available in the MediaCentre).

## Technical information

Material	
Material	nickel-plated
Housing	Polybutyleneterephthalate
Seal	Acrylonitrile butadiene rubber
Tooth lock washer	Stainless steel
Release ring	Polyoxymethylene
Release ring holder	Die cast zinc Brass, nickel-plated

## Dimensions

### Dimensions in inches



### Dimensions in inches

Part No.	Port D	Port G	P	Ø d	F	J	C1	C2	B	X	Y
R432000362	Ø1/8	Ø5/32	0.32	0.13	0.4	0.32	0.46	0.35	1.76	0.28	0.24
R432000361	Ø5/32	Ø1/4	0.32	0.13	0.4	0.32	0.47	0.46	1.88	0.39	0.32

# Series QR1-S-MCA Mini

- Sealing cap
- push-in fitting
- Ø1/8 Ø1/4
- QR1-S-MCA



Working pressure min./max.	-0.95 ... 10 bar
Ambient temperature min./max.	0 ... 60 °C
Weight per piece	0.005 kg

## Technical data

Part No.	Port G	Delivery unit
R432000304	Ø1/8	25 piece
R432000303	Ø1/4	25 piece

## Technical information

The series QR1 (plastic) and QR2 (metal) can not be combined  
 These pneumatic components with NPT or inch thread dimensions are only available from our US sales organization.  
 For further information about assembling and tolerances of adaptable tubing can be found in the "Technical information" document (available in the MediaCentre).

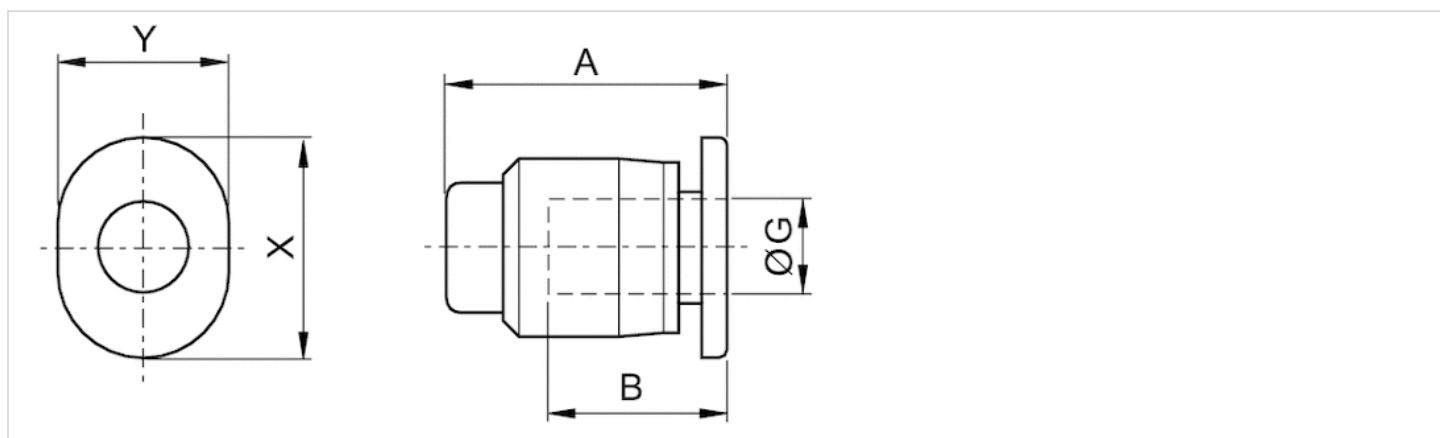
## Technical information

Material	
Material	nickel-plated
Housing	Polybutyleneterephthalate
Seal	Acrylonitrile butadiene rubber
Tooth lock washer	Stainless steel
Release ring	Polyoxymethylene
Release ring holder	Die cast zinc Brass, nickel-plated



## Dimensions

### Dimensions



### Dimensions in inches

Part No.	Port G	A	B	X	Y
R432000304	Ø1/8	0.42	0.37	0.28	0.24
R432000303	Ø1/4	0.49	0.47	0.47	0.39

# Series QR1-S-MBS Mini

- Blanking plug
- pin bushing
- Ø1/8
- QR1-S-MBS



Working pressure min./max.	-0.95 ... 10 bar
Ambient temperature min./max.	0 ... 60 °C
Weight per piece	0.005 kg

## Technical data

Part No.	Port G	Delivery unit
R432000329	Ø1/8	25 piece

## Technical information

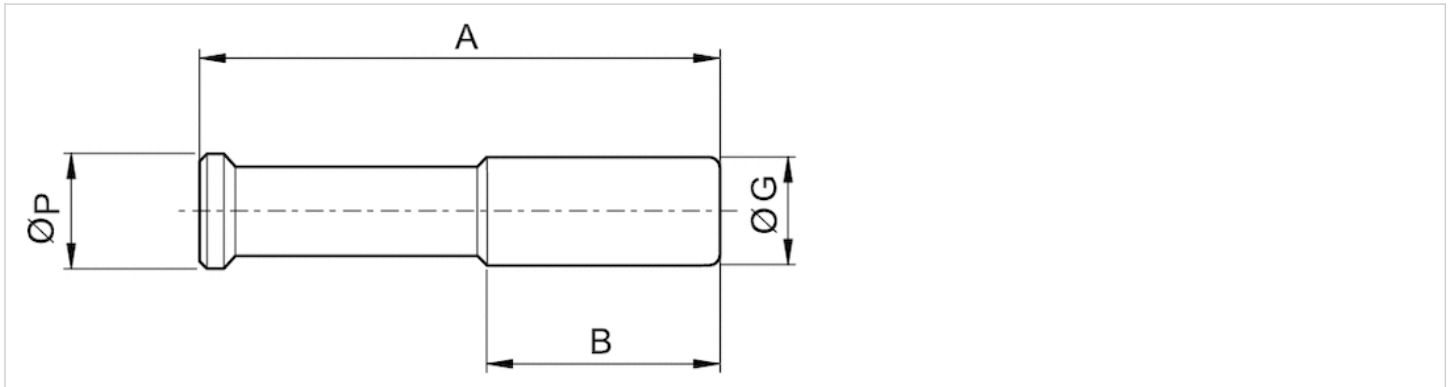
The series QR1 (plastic) and QR2 (metal) can not be combined  
 These pneumatic components with NPT or inch thread dimensions are only available from our US sales organization.  
 For further information about assembling and tolerances of adaptable tubing can be found in the "Technical information" document (available in the MediaCentre).

## Technical information

Material	
Material	nickel-plated
Housing	Polybutyleneterephthalate

## Dimensions

### Dimensions in inches



### Dimensions in inches

Part No.	Port G	A	B	Ø P
R432000329	Ø1/8	0,87	0,37	0,16

# Efficient pneumatic solutions, our program: cylinders and drives, valves and valve systems, air supply management



Visit us: [Emerson.com/Aventics](http://Emerson.com/Aventics)

Your local contact: [Emerson.com/contactus](http://Emerson.com/contactus)



[Emerson.com](http://Emerson.com)



[Facebook.com/EmersonAutomationSolutions](https://Facebook.com/EmersonAutomationSolutions)



[LinkedIn.com/company/Emerson-Automation-Solutions](https://LinkedIn.com/company/Emerson-Automation-Solutions)



[Twitter.com/EMR\\_Automation](https://Twitter.com/EMR_Automation)

An example configuration is depicted on the title page. The delivered product may thus vary from that in the illustration. Subject to change. This Document, as well as the data, specifications and other information set forth in it, are the exclusive property of AVENTICS GmbH. It may not be reproduced or given to third parties without its consent. Only use the AVENTICS products shown in industrial applications. Read the product documentation completely and carefully before using the product. Observe the applicable regulations and laws of the respective country. When integrating the product into applications, note the system manufacturer's specifications for safe use of the product. The data specified only serve to describe the product. No statements concerning a certain condition or suitability for a certain application can be derived from our information. The information given does not release the user from the obligation of own judgment and verification. It must be remembered that the products are subject to a natural process of wear and aging.

The Emerson logo is a trademark and service mark of Emerson Electric Co. Brand logotype are registered trademarks of one of the Emerson family of companies. All other marks are the property of their respective owners. © 2017 Emerson Electric Co. All rights reserved.  
2019-03



## CONSIDER IT SOLVED™



青岛秉诚自动化设备有限公司  
地址：中国·青岛市重庆南路99号海尔云街甲3号楼7F

服务热线：4006-918-365  
网址：<http://www.ivalve.cc>

传真：(86-532)585-10-365  
Email：[sales@bechinas.com](mailto:sales@bechinas.com)