

## Series QR2-S, standard



## AVENTICS™ Series QR2-S, standard



## Series QR2-S-RPN standard

- Straight fitting
- External thread
- M5 M7 G 1/8 G 1/4 G 3/8 G 1/2
- push-in fitting
- Ø 4 Ø 5 Ø 6 Ø 8 Ø 10 Ø 12 Ø 14 Ø 16
- QR2-S-RPN



Working pressure min./max. -0.95 ... 16 bar  
 Ambient temperature min./max. -20 ... 80 °C  
 Weight per piece See table below

### Technical data

Part No.	Port G	Port D	Delivery unit	Weight per piece	Fig.
1823373038	M5	Ø 4	25 piece	0.006 kg	Fig. 2
1823373039	M5	Ø 5	10 piece	0.007 kg	Fig. 2
1823373040	M5	Ø 6	25 piece	0.01 kg	Fig. 2
1823373100	M7	Ø 4	25 piece	0.007 kg	Fig. 1
1823373088	M7	Ø 6	25 piece	0.005 kg	Fig. 2
1823373041	G 1/8	Ø 4	25 piece	0.005 kg	Fig. 1
1823373042	G 1/8	Ø 5	10 piece	0.01 kg	Fig. 1
1823373043	G 1/8	Ø 6	25 piece	0.011 kg	Fig. 1
1823373044	G 1/8	Ø 8	25 piece	0.012 kg	Fig. 1
1823373045	G 1/4	Ø 4	25 piece	0.012 kg	Fig. 1
1823373046	G 1/4	Ø 5	10 piece	0.013 kg	Fig. 1
1823373047	G 1/4	Ø 6	25 piece	0.015 kg	Fig. 1
1823373048	G 1/4	Ø 8	10 piece	0.016 kg	Fig. 1
1823373049	G 1/4	Ø 10	10 piece	0.026 kg	Fig. 1
1823391809	G 1/4	Ø 12	10 piece	0.031 kg	Fig. 1
R412004708	G 1/4	Ø 12	10 piece	0.022 kg	Fig. 2
1823373050	G 3/8	Ø 8	10 piece	0.021 kg	Fig. 1
1823373051	G 3/8	Ø 10	10 piece	0.028 kg	Fig. 1
1823373052	G 3/8	Ø 12	5 piece	0.038 kg	Fig. 1
1823373053	G 3/8	Ø 14	5 piece	0.059 kg	Fig. 1
1823373054	G 1/2	Ø 12	5 piece	0.048 kg	Fig. 1
1823373055	G 1/2	Ø 14	5 piece	0.064 kg	Fig. 1
R412007955	G 1/2	Ø 16	1 piece	0.072 kg	Fig. 1

## Technical information

The series QR1 (plastic) and QR2 (metal) can not be combined  
Thread seal with captive O-ring

For further information about assembling and tolerances of adaptable tubing can be found in the “Technical information” document (available in the MediaCentre).

## Technical information

Material	
Housing	Brass, nickel-plated
Seal	Acrylonitrile butadiene rubber
Tooth lock washer	Stainless steel
Release ring	Brass, nickel-plated
Thread	Brass, nickel-plated

## Dimensions

Fig. 1

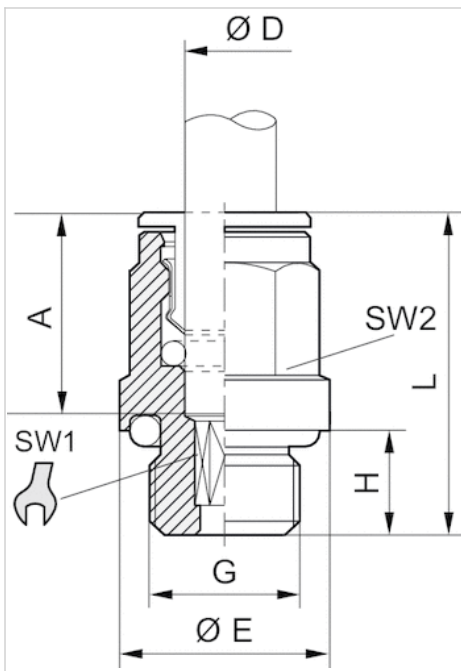
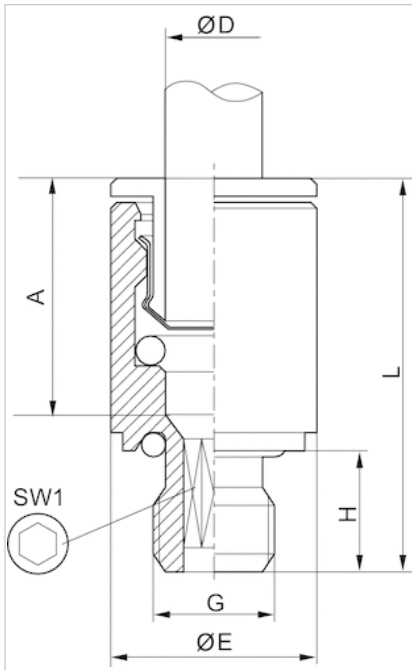


Fig. 2



Dimensions

Part No.	Port D	Port G	Ø E	H	L	A Insertion depth	SW 1	SW 2	Fig.
1823373038	Ø 4	M5	9	4	20.5	15	2.5	-	Fig. 2
1823373039	Ø 5	M5	9.5	4	22	16	2.5	-	Fig. 2
1823373040	Ø 6	M5	10.5	4	22	16	2.5	-	Fig. 2
1823373100	Ø 4	M7	10.8	6	22	15	2.5	9	Fig. 1
1823373088	Ø 6	M7	10.5	6	24	16	3.5	-	Fig. 2
1823373041	Ø 4	G 1/8	13.5	6	20	15	2.5	9	Fig. 1
1823373042	Ø 5	G 1/8	13.5	6	22	16	4	10	Fig. 1
1823373043	Ø 6	G 1/8	13.5	6	24	16	4	11	Fig. 1
1823373044	Ø 8	G 1/8	13	6	26.5	18	5	13	Fig. 1
1823373045	Ø 4	G 1/4	17	8	21	15	2.5	9	Fig. 1
1823373046	Ø 5	G 1/4	17	8	22	16	4	10	Fig. 1
1823373047	Ø 6	G 1/4	17	6.5	22.5	16	4	11	Fig. 1
1823373048	Ø 8	G 1/4	17	8	25	18	6	13	Fig. 1
1823373049	Ø 10	G 1/4	16	8	29.5	19	7	16	Fig. 1
1823391809	Ø 12	G 1/4	16	6.5	30	20	7	18	Fig. 1
R412004708	Ø 12	G 1/4	17	8.3	31	7	-	-	Fig. 2
1823373050	Ø 8	G 3/8	20	9	25	18	6	13	Fig. 1
1823373051	Ø 10	G 3/8	21	9	29.5	19	8	16	Fig. 1
1823373052	Ø 12	G 3/8	21	9	31	20	10	18	Fig. 1
1823373053	Ø 14	G 3/8	21	9	34	22	10	21	Fig. 1
1823373054	Ø 12	G 1/2	24	11	31	20	10	18	Fig. 1
1823373055	Ø 14	G 1/2	24	11	34	22	12	21	Fig. 1
R412007955	Ø16	G 1/2	24	11	37	12	24	-	Fig. 1

# Series QR2-S-RAI standard

- Straight female stud fitting
- Internal thread
- G 1/8 G 1/4
- push-in fitting
- Ø 4 Ø 5 Ø 6 Ø 8
- QR2-S-RAI



Working pressure min./max.	-0.95 ... 16 bar
Ambient temperature min./max.	-20 ... 80 °C
Weight per piece	See table below

## Technical data

Part No.	Port G	Port D	Delivery unit	Weight per piece
1823391643	G 1/8	Ø 4	10 piece	0.01 kg
1823391644	G 1/8	Ø 5	10 piece	0.01 kg
1823391645	G 1/8	Ø 6	10 piece	0.011 kg
1823391646	G 1/8	Ø 8	10 piece	0.015 kg
1823391647	G 1/4	Ø 4	10 piece	0.014 kg
1823391648	G 1/4	Ø 5	10 piece	0.016 kg
1823391649	G 1/4	Ø 6	10 piece	0.018 kg
1823391650	G 1/4	Ø 8	10 piece	0.02 kg

## Technical information

The series QR1 (plastic) and QR2 (metal) can not be combined

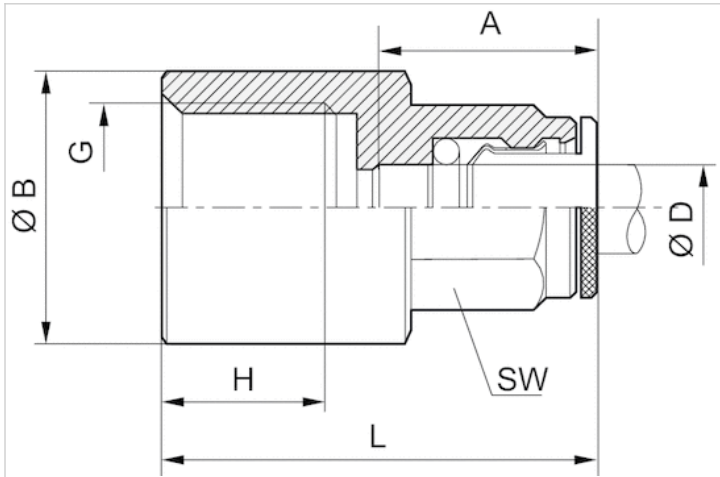
For further information about assembling and tolerances of adaptable tubing can be found in the "Technical information" document (available in the MediaCentre).

## Technical information

Material	
Housing	Brass, nickel-plated
Seal	Acrylonitrile butadiene rubber
Tooth lock washer	Stainless steel
Release ring	Brass, nickel-plated

Material	
Thread	Brass, nickel-plated

## Dimensions



## Dimensions

Part No.	Port D	Port G	Ø B	H	L	A Insertion depth	SW
1823391643	Ø 4	G 1/8	11	6	26.5	15	9
1823391644	Ø 5	G 1/8	12	6	27	16	10
1823391645	Ø 6	G 1/8	11	6	27	16	11
1823391646	Ø 8	G 1/8	11	6	28	18	13
1823391647	Ø 4	G 1/4	16	10	29.5	18	9
1823391648	Ø 5	G 1/4	16	10	30	16	10
1823391649	Ø 6	G 1/4	16	10	31	16	11
1823391650	Ø 8	G 1/4	16	10	32	18	13

# Series QR2-S-RSI standard

- Bulkhead connector
- Internal thread
- G 1/8 G 1/4
- push-in fitting
- Ø 4 Ø 6 Ø 8
- QR2-S-RSI



Working pressure min./max. -0.95 ... 16 bar  
Ambient temperature min./max. -20 ... 80 °C

## Technical data

Part No.	Port G	Port D	Delivery unit
1823391757	G 1/8	Ø 4	10 piece
1823391758	G 1/8	Ø 6	10 piece
1823391759	G 1/4	Ø 6	10 piece
1823391760	G 1/8	Ø 8	10 piece
1823391761	G 1/4	Ø 8	10 piece

## Technical information

The series QR1 (plastic) and QR2 (metal) can not be combined

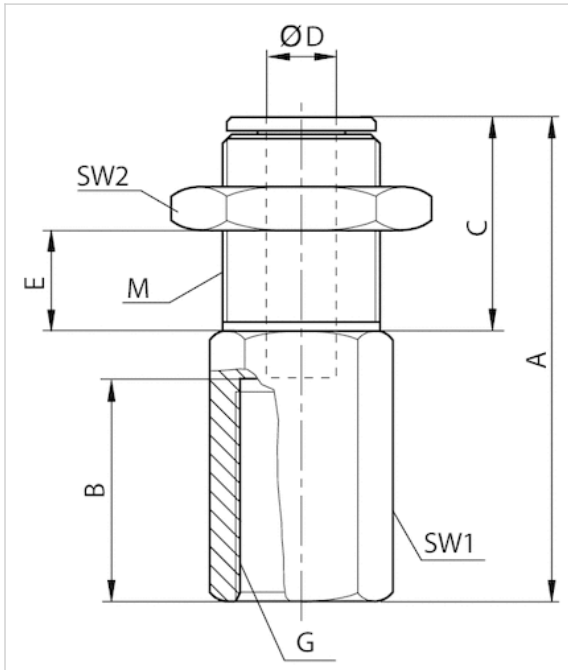
For further information about assembling and tolerances of adaptable tubing can be found in the "Technical information" document (available in the MediaCentre).

## Technical information

Material	
Housing	Brass, nickel-plated
Seal	Acrylonitrile butadiene rubber
Tooth lock washer	Stainless steel
Release ring	Brass, nickel-plated
Thread	Brass, nickel-plated

## Dimensions

### Dimensions



## Dimensions

Part No.	Port D	Port G	M	A	B	C	E ±2 max.	SW1	SW2
1823391757	Ø 4	G 1/8	M10x1	25	8.5	15	9.5	15	13
1823391758	Ø 6	G 1/8	M14x1	26	8.5	15	9.5	17	17
1823391759	Ø 6	G 1/4	M14x1	30.5	13	15	9.5	17	17
1823391760	Ø 8	G 1/8	M16x1	28	8.5	15	9.5	17	19
1823391761	Ø 8	G 1/4	M16x1	33	13	15	9.5	17	19



## Series QR2-S-RAS standard

- Push-in connector
- External thread
- M5 G 1/8 G 1/4 G 3/8 G 1/2
- pin bushing
- Ø 4 Ø 5 Ø 6 Ø 8 Ø 10 Ø 12 Ø 14
- QR2-S-RAS



Working pressure min./max.	-0.95 ... 16 bar
Ambient temperature min./max.	-20 ... 80 °C
Weight per piece	See table below

### Technical data

Part No.	Port G	Port D	Delivery unit	Weight per piece
1823373056	M5	Ø 4	25 piece	0.004 kg
1823373057	M5	Ø 5	25 piece	0.005 kg
1823373058	M5	Ø 6	25 piece	0.006 kg
1823373059	G 1/8	Ø 4	25 piece	0.008 kg
1823373060	G 1/8	Ø 5	25 piece	0.008 kg
1823373061	G 1/8	Ø 6	25 piece	0.008 kg
1823373062	G 1/8	Ø 8	25 piece	0.009 kg
1823373063	G 1/4	Ø 4	25 piece	0.012 kg
1823373064	G 1/4	Ø 5	25 piece	0.013 kg
1823373065	G 1/4	Ø 6	25 piece	0.014 kg
1823373066	G 1/4	Ø 8	25 piece	0.015 kg
1823373067	G 1/4	Ø 10	10 piece	0.019 kg
1823391810	G 1/4	Ø 12	10 piece	0.024 kg
1823373068	G 3/8	Ø 8	10 piece	0.022 kg
1823373069	G 3/8	Ø 10	10 piece	0.029 kg
1823373070	G 3/8	Ø 12	10 piece	0.03 kg
1823373071	G 3/8	Ø 14	10 piece	0.042 kg
1823373072	G 1/2	Ø 12	10 piece	0.044 kg
1823373073	G 1/2	Ø 14	10 piece	0.046 kg

### Technical information

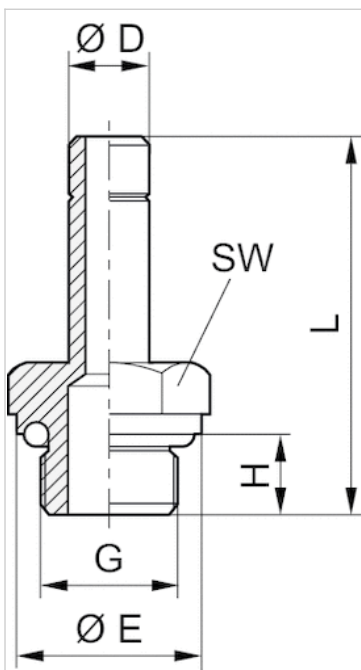
The series QR1 (plastic) and QR2 (metal) can not be combined  
Thread seal with captive O-ring

For further information about assembling and tolerances of adaptable tubing can be found in the “Technical information” document (available in the MediaCentre).

## Technical information

Material	
Housing	Brass, nickel-plated
Seal	Acrylonitrile butadiene rubber
Tooth lock washer	Stainless steel
Release ring	Brass, nickel-plated
Thread	Brass, nickel-plated

## Dimensions



## Dimensions

Part No.	Port D	Port G	Ø E	H	L	SW
1823373056	Ø 4	M5	8	4	24.5	8
1823373057	Ø 5	M5	8	4	25	8
1823373058	Ø 6	M5	8	4	26	8
1823373059	Ø 4	G 1/8	13	6	27.7	13
1823373060	Ø 5	G 1/8	13	6	28	13
1823373061	Ø 6	G 1/8	13	6	29.5	13
1823373062	Ø 8	G 1/8	13	6	31	13
1823373063	Ø 4	G 1/4	16	8	30.2	13
1823373064	Ø 5	G 1/4	16	8	31	13
1823373065	Ø 6	G 1/4	16	8	32	13

Part No.	Port D	Port G	Ø E	H	L	SW
1823373066	Ø 8	G 1/4	16	8	33.5	13
1823373067	Ø 10	G 1/4	16	8	38	13
1823391810	Ø 12	G 1/4	16	8	39	13
1823373068	Ø 8	G 3/8	20	9	35.5	13
1823373069	Ø 10	G 3/8	20	9	41	13
1823373070	Ø 12	G 3/8	20	9	42	13
1823373071	Ø 14	G 3/8	20	9	44	16
1823373072	Ø 12	G 1/2	24	11	44	16
1823373073	Ø 14	G 1/2	24	11	46	16

## Series QR2-S-RAL standard

- Push-in connector, long
- External thread
- M7 G 1/8 G 1/4
- pin bushing
- Ø 4 Ø 6 Ø 8
- QR2-S-RAL



Working pressure min./max.	-0.95 ... 16 bar
Ambient temperature min./max.	-20 ... 80 °C
Weight per piece	See table below

### Technical data

Part No.	Port G	Port D	Delivery unit	Weight per piece
1823391887	M7	Ø 4	10 piece	0.011 kg
1823391888	M7	Ø 6	10 piece	0.011 kg
1823373074	G 1/8	Ø 4	25 piece	0.013 kg
1823373075	G 1/8	Ø 6	25 piece	0.015 kg
1823373076	G 1/8	Ø 8	10 piece	0.02 kg
1823373077	G 1/4	Ø 6	10 piece	0.02 kg
1823373078	G 1/4	Ø 8	10 piece	0.023 kg

### Technical information

The series QR1 (plastic) and QR2 (metal) can not be combined  
Thread seal with captive O-ring

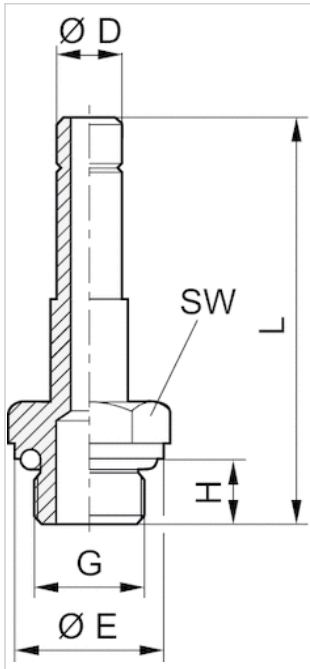
For further information about assembling and tolerances of adaptable tubing can be found in the "Technical information" document (available in the MediaCentre).

### Technical information

Material	
Housing	Brass, nickel-plated
Seal	Acrylonitrile butadiene rubber
Tooth lock washer	Stainless steel
Release ring	Brass, nickel-plated

Material	
Thread	Brass, nickel-plated

## Dimensions



## Dimensions

Part No.	Port D	Port G	L	H	Ø E	SW
1823391887	Ø 4	M7	38	6	-	10
1823391888	Ø 6	M7	42	6	-	10
1823373074	Ø 4	G 1/8	39.7	6	13	13
1823373075	Ø 6	G 1/8	43.5	6	13	13
1823373076	Ø 8	G 1/8	47.5	6	13	13
1823373077	Ø 6	G 1/4	46	8	16	13
1823373078	Ø 8	G 1/4	49.7	8	16	13

## Series QR2-S-RVT standard

- Elbow fitting, rotatable
- External thread
- M5 M7 G 1/8 G 1/4 G 3/8 G 1/2
- push-in fitting
- Ø 4 Ø 6 Ø 8 Ø 10 Ø 12 Ø 14 Ø 16
- QR2-S-RVT



Working pressure min./max.	-0.95 ... 16 bar
Ambient temperature min./max.	-20 ... 80 °C
Weight per piece	See table below

### Technical data

Part No.	Port G	Port D	Delivery unit	Weight per piece
1823391709	M5	Ø 4	10 piece	0.015 kg
1823391889	M5	Ø 6	10 piece	0.016 kg
1823391885	M7	Ø 4	10 piece	0.017 kg
1823391886	M7	Ø 6	10 piece	0.017 kg
1823391710	G 1/8	Ø 4	10 piece	0.018 kg
1823391711	G 1/8	Ø 6	10 piece	0.02 kg
1823391712	G 1/8	Ø 8	10 piece	0.022 kg
R412007687	G 1/8	Ø 10	5 piece	0.032 kg
1823391713	G 1/4	Ø 4	10 piece	0.024 kg
1823391714	G 1/4	Ø 6	10 piece	0.025 kg
1823391715	G 1/4	Ø 8	10 piece	0.027 kg
1823391718	G 1/4	Ø 10	5 piece	0.031 kg
1823391843	G 1/4	Ø 12	5 piece	0.042 kg
1823391716	G 3/8	Ø 8	5 piece	0.042 kg
1823391717	G 3/8	Ø 10	5 piece	0.042 kg
1823391838	G 3/8	Ø 12	5 piece	0.045 kg
1823391839	G 3/8	Ø 14	5 piece	0.062 kg
R412010182	G 3/8	Ø 16	1 piece	0.072 kg
R412007589	G 1/2	Ø 10	5 piece	0.046 kg
1823391840	G 1/2	Ø 12	5 piece	0.065 kg
1823391841	G 1/2	Ø 14	5 piece	0.07 kg
R412007956	G 1/2	Ø 16	1 piece	0.084 kg

## Technical information

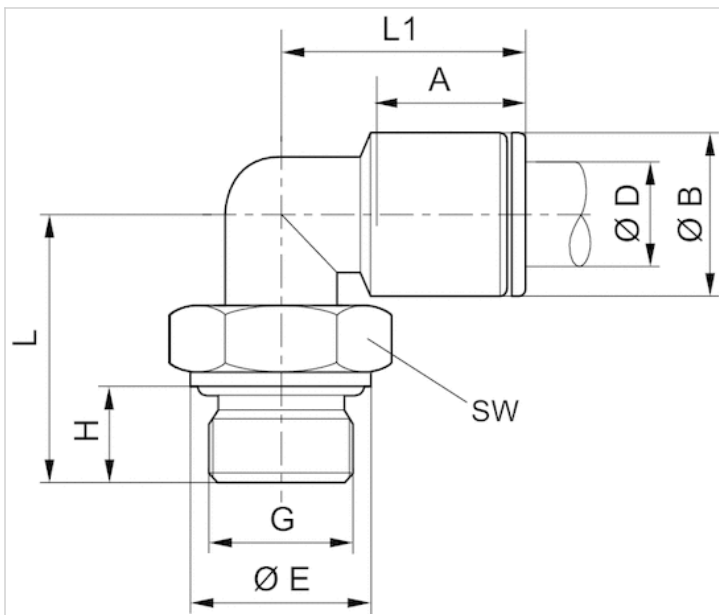
The series QR1 (plastic) and QR2 (metal) can not be combined  
Thread seal with captive O-ring

For further information about assembling and tolerances of adaptable tubing can be found in the “Technical information” document (available in the MediaCentre).

## Technical information

Material	
Housing	Brass, nickel-plated
Seal	Acrylonitrile butadiene rubber
Tooth lock washer	Stainless steel
Release ring	Brass, nickel-plated
Thread	Brass, nickel-plated

## Dimensions



## Dimensions

Part No.	Port D	Port G	ØB	ØE	H	L	L1	A Insertion depth	SW
1823391709	Ø 4	M5	9	8	4	14.5	19	14	9
1823391889	Ø 6	M5	11	8	4	14.5	21	16	9
1823391885	Ø 4	M7	9	10	6	16.5	18	14	9
1823391886	Ø 6	M7	11	10	6	16.5	19.5	16	9
1823391710	Ø 4	G 1/8	9	13	6	20	19	15	13
1823391711	Ø 6	G 1/8	11	13	6	20	21	16	13
1823391712	Ø 8	G 1/8	13	13	6	20	24	18	13

Part No.	Port D	Port G	ØB	ØE	H	L	L1	A Insertion depth	SW
R412007687	Ø 10	G 1/8	15	13	6	24	27	19	13
1823391713	Ø 4	G 1/4	9	16	8	24	19	15	13
1823391714	Ø 6	G 1/4	11	16	8	24	21	16	13
1823391715	Ø 8	G 1/4	13	16	8	24	24	18	13
1823391718	Ø 10	G 1/4	15	16	8	24	27	19	16
1823391843	Ø 12	G 1/4	17	16	8	30.5	29	20	16
1823391716	Ø 8	G 3/8	13	20	9	25.5	24	18	13
1823391717	Ø 10	G 3/8	15	20	9	28	27	19	16
1823391838	Ø 12	G 3/8	17	20	9	28.5	28	20	20
1823391839	Ø 14	G 3/8	20	20	9	28.5	31	22	20
R412010182	Ø16	G 3/8	23	20	9	33.5	33	23.5	20
R412007589	Ø 10	G 1/2	15	25	11	30	27	19	16
1823391840	Ø 12	G 1/2	17	25	11	33.5	28	20	20
1823391841	Ø 14	G 1/2	20	25	11	33.5	31	22	20
R412007956	Ø16	G 1/2	23	25	11	38	33	23.5	20



# Series QR2-S-RVL standard

- Long elbow fitting, rotatable
- External thread
- G 1/8 G 1/4
- push-in fitting
- Ø 4 Ø 6 Ø 8 Ø 10
- QR2-S-RVL



Working pressure min./max.	-0.95 ... 16 bar
Ambient temperature min./max.	-20 ... 80 °C
Weight per piece	See table below

## Technical data

Part No.	Port G	Port D	Delivery unit	Weight per piece
R412010270	G 1/8	Ø 4	10 piece	0.032 kg
R412010271	G 1/8	Ø 6	10 piece	0.033 kg
R412010272	G 1/8	Ø 8	10 piece	0.034 kg
R412010273	G 1/4	Ø 6	10 piece	0.037 kg
R412010274	G 1/4	Ø 8	10 piece	0.039 kg
R412010275	G 1/4	Ø 10	10 piece	0.056 kg

## Technical information

The series QR1 (plastic) and QR2 (metal) can not be combined  
Thread seal with captive O-ring

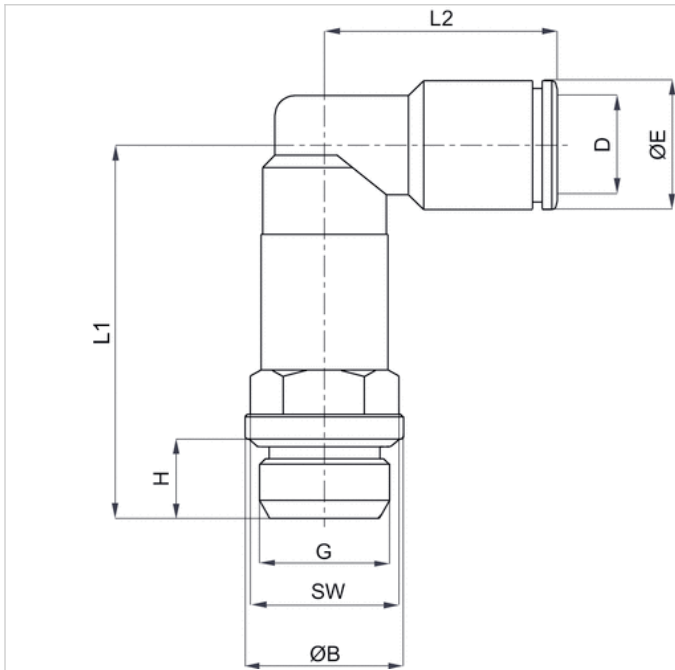
For further information about assembling and tolerances of adaptable tubing can be found in the "Technical information" document (available in the MediaCentre).

## Technical information

Material	
Housing	Brass, nickel-plated
Seal	Acrylonitrile butadiene rubber
Tooth lock washer	Stainless steel
Release ring	Brass, nickel-plated
Thread	Brass, nickel-plated

## Dimensions

### Dimensions



## Dimensions

Part No.	Port D	Port G	ØB	ØE	H	L1	L2	SW
R412010270	Ø 4	G 1/8	13	9	6	33	20	13
R412010271	Ø 6	G 1/8	13	11	6	33	21.5	13
R412010272	Ø 8	G 1/8	13	13	6	33	23.5	13
R412010273	Ø 6	G 1/4	16	11	8	37.7	21.5	13
R412010274	Ø 8	G 1/4	16	13	8	37.7	23.5	13
R412010275	Ø 10	G 1/4	16	15	8	40	26,5	16

## Series QR2-S-RW1 standard

- Swivel banjo connection 1-fold
- External thread
- M5 G 1/8 G 1/4 G 3/8
- push-in fitting
- Ø 4 Ø 5 Ø 6 Ø 8 Ø 10 Ø 12
- QR2-S-RW1



Working pressure min./max.	-0.95 ... 16 bar
Ambient temperature min./max.	-20 ... 80 °C
Weight per piece	See table below

### Technical data

Part No.	Port G	Port D	Delivery unit	Weight per piece
1823391549	M5	Ø 4	10 piece	0.01 kg
1823391550	M5	Ø 5	10 piece	0.016 kg
1823391905	M5	Ø 6	10 piece	0.018 kg
1823391551	G 1/8	Ø 4	10 piece	0.024 kg
1823391552	G 1/8	Ø 5	10 piece	0.026 kg
1823391553	G 1/8	Ø 6	10 piece	0.027 kg
1823391554	G 1/8	Ø 8	10 piece	0.032 kg
1823391556	G 1/4	Ø 6	10 piece	0.035 kg
1823391557	G 1/4	Ø 8	10 piece	0.048 kg
1823391558	G 1/4	Ø 10	5 piece	0.052 kg
1823391559	G 3/8	Ø 8	5 piece	0.072 kg
1823391560	G 3/8	Ø 10	5 piece	0.077 kg
1823391561	G 3/8	Ø 12	5 piece	0.088 kg

### Technical information

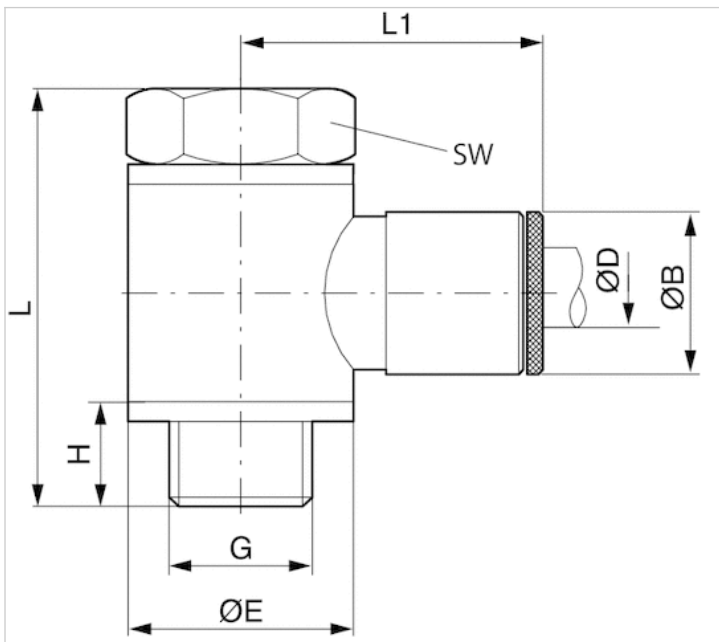
The series QR1 (plastic) and QR2 (metal) can not be combined  
Thread seal with captive O-ring

For further information about assembling and tolerances of adaptable tubing can be found in the "Technical information" document (available in the MediaCentre).

## Technical information

Material	
Housing	Brass, nickel-plated
Seal	Acrylonitrile butadiene rubber
Tooth lock washer	Stainless steel
Release ring	Brass, nickel-plated
Thread	Brass, nickel-plated

## Dimensions



## Dimensions

Part No.	Port D	Port G	L	L1	H	Ø B	Ø E	SW
1823391549	Ø 4	M5	17.5	18.5	4.5	9	7	8
1823391550	Ø 5	M5	17.5	19.5	4.5	10	7	8
1823391905	Ø 6	M5	19	19	4.5	10.5	10	8
1823391551	Ø 4	G 1/8	28	21	7.5	9	14	14
1823391552	Ø 5	G 1/8	28	22.5	7.5	10	14	14
1823391553	Ø 6	G 1/8	28	22.5	7.5	11	14	14
1823391554	Ø 8	G 1/8	28	24.5	7.5	13	14	14
1823391556	Ø 6	G 1/4	33	24	9	11	18	17
1823391557	Ø 8	G 1/4	33	26	9	13	18	17
1823391558	Ø 10	G 1/4	33	27	9	15	18	17
1823391559	Ø 8	G 3/8	36	28	9	13	21	19
1823391560	Ø 10	G 3/8	36	29	9	15	21	19
1823391561	Ø 12	G 3/8	36	30	9	17	21	19

## Series QR2-S-RI1 standard

- Swivel banjo connection 1-fold, with hexagon socket, rotatable
- External thread
- M5 G 1/8 G 1/4 G 3/8
- push-in fitting
- Ø 4 Ø 5 Ø 6 Ø 8 Ø 10 Ø 12
- QR2-S-RI1



Working pressure min./max.	-0.95 ... 16 bar
Ambient temperature min./max.	-20 ... 80 °C
Weight per piece	See table below

### Technical data

Part No.	Port G	Port D	Delivery unit	Weight per piece
1823391652	M5	Ø 4	10 piece	0.01 kg
1823391653	M5	Ø 5	10 piece	0.016 kg
1823391654	G 1/8	Ø 4	10 piece	0.019 kg
1823391655	G 1/8	Ø 5	10 piece	0.021 kg
1823391656	G 1/8	Ø 6	10 piece	0.022 kg
1823391657	G 1/8	Ø 8	10 piece	0.026 kg
1823391658	G 1/4	Ø 6	10 piece	0.028 kg
1823391659	G 1/4	Ø 8	10 piece	0.039 kg
1823391660	G 1/4	Ø 10	10 piece	0.042 kg
1823391927	G 1/4	Ø 12	10 piece	0.047 kg
1823391897	G 3/8	Ø 8	2 piece	0.042 kg
1823391898	G 3/8	Ø 10	2 piece	0.044 kg
1823391899	G 3/8	Ø 12	2 piece	0.045 kg

### Technical information

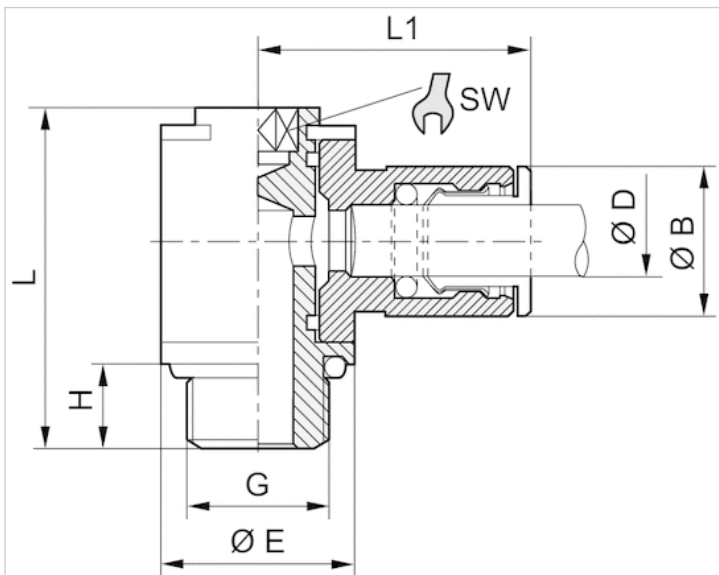
The series QR1 (plastic) and QR2 (metal) can not be combined  
Thread seal with captive O-ring

For further information about assembling and tolerances of adaptable tubing can be found in the "Technical information" document (available in the MediaCentre).

## Technical information

Material	
Housing	Brass, nickel-plated
Seal	Acrylonitrile butadiene rubber
Tooth lock washer	Stainless steel
Release ring	Brass, nickel-plated
Thread	Brass, nickel-plated

## Dimensions



## Dimensions

Part No.	Port D	Port G	Ø B	Ø E	H	L	L1	SW
1823391652	Ø 4	M5	9	8	4	17	18.5	2
1823391653	Ø 5	M5	10	8	4	17	19.5	2
1823391654	Ø 4	G 1/8	9	14	6	25	21	3
1823391655	Ø 5	G 1/8	10	14	6	25	22.5	3
1823391656	Ø 6	G 1/8	11	14	6	25	23	3
1823391657	Ø 8	G 1/8	13	14	6	25	24.5	3
1823391658	Ø 6	G 1/4	11	18	8	29.3	24	4
1823391659	Ø 8	G 1/4	13	18	8	29.3	26	4
1823391660	Ø 10	G 1/4	15	18	8	29.3	27	4
1823391927	Ø 12	G 1/4	17	18	8	29.3	28	4
1823391897	Ø 8	G 3/8	13	21	9	34	28	5
1823391898	Ø 10	G 3/8	15	21	9	34	29	5
1823391899	Ø 12	G 3/8	17	21	9	34	30	5

## Series QR2-S-RI2 standard

- Swivel banjo connection 2-fold, with hexagon socket, rotatable
- External thread
- G 1/8 G 1/4
- push-in fitting
- Ø 4 Ø 6 Ø 8 Ø 10 Ø 12
- QR2-S-RI2



Working pressure min./max.	-0.95 ... 16 bar
Ambient temperature min./max.	-20 ... 80 °C
Weight per piece	See table below

### Technical data

Part No.	Port G	Port D	Delivery unit	Weight per piece
1823391913	G 1/8	Ø 4	10 piece	0.045 kg
1823391914	G 1/8	Ø 6	10 piece	0.047 kg
1823391915	G 1/8	Ø 8	10 piece	0.053 kg
1823391916	G 1/4	Ø 6	10 piece	0.077 kg
1823391917	G 1/4	Ø 8	10 piece	0.08 kg
1823391918	G 1/4	Ø 10	10 piece	0.082 kg
1823391919	G 1/4	Ø 12	10 piece	0.091 kg

### Technical information

The series QR1 (plastic) and QR2 (metal) can not be combined  
Thread seal with captive O-ring

For further information about assembling and tolerances of adaptable tubing can be found in the "Technical information" document (available in the MediaCentre).

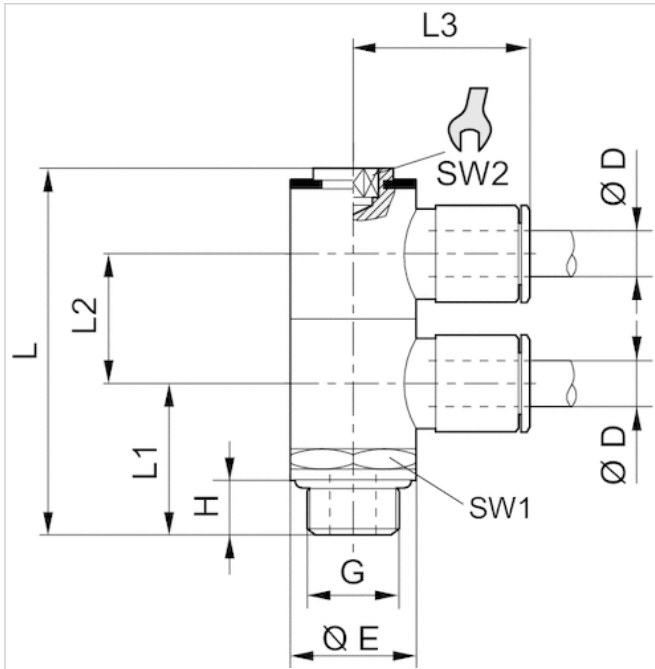
### Technical information

Material	
Housing	Brass, nickel-plated
Seal	Acrylonitrile butadiene rubber
Tooth lock washer	Stainless steel
Release ring	Brass, nickel-plated

Material	
Thread	Brass, nickel-plated

## Dimensions

### Dimensions



## Dimensions

Part No.	Port D	Port G	Ø E	H	L	L1	L2	L3	SW 1	SW 2
1823391913	Ø 4	G 1/8	13	6	44	19.1	15	21	14	3
1823391914	Ø 6	G 1/8	13	6	44	19.1	15	23	14	3
1823391915	Ø 8	G 1/8	13	6	44	19.1	15	24.5	14	3
1823391916	Ø 6	G 1/4	17	8	50	22.5	17	24	17	4
1823391917	Ø 8	G 1/4	17	8	50	22.5	17	26	17	4
1823391918	Ø 10	G 1/4	17	8	50	22.5	17	27	17	4
1823391919	Ø 12	G 1/4	17	8	50	22.5	17	28	17	4



## Series QR2-S-RI3 standard

- Swivel banjo connection 3-fold, with hexagon socket, rotatable
- External thread
- G 1/8 G 1/4
- push-in fitting
- Ø 4 Ø 6 Ø 8 Ø 10 Ø 12
- QR2-S-RI3



Working pressure min./max.	-0.95 ... 16 bar
Ambient temperature min./max.	-20 ... 80 °C
Weight per piece	See table below

### Technical data

Part No.	Port G	Port D	Delivery unit	Weight per piece
1823391920	G 1/8	Ø 4	10 piece	0.06 kg
1823391921	G 1/8	Ø 6	10 piece	0.065 kg
1823391922	G 1/8	Ø 8	10 piece	0.066 kg
1823391923	G 1/4	Ø 6	10 piece	0.075 kg
1823391924	G 1/4	Ø 8	10 piece	0.108 kg
1823391925	G 1/4	Ø 10	10 piece	0.11 kg
1823391926	G 1/4	Ø 12	10 piece	0.117 kg

### Technical information

The series QR1 (plastic) and QR2 (metal) can not be combined  
Thread seal with captive O-ring

For further information about assembling and tolerances of adaptable tubing can be found in the "Technical information" document (available in the MediaCentre).

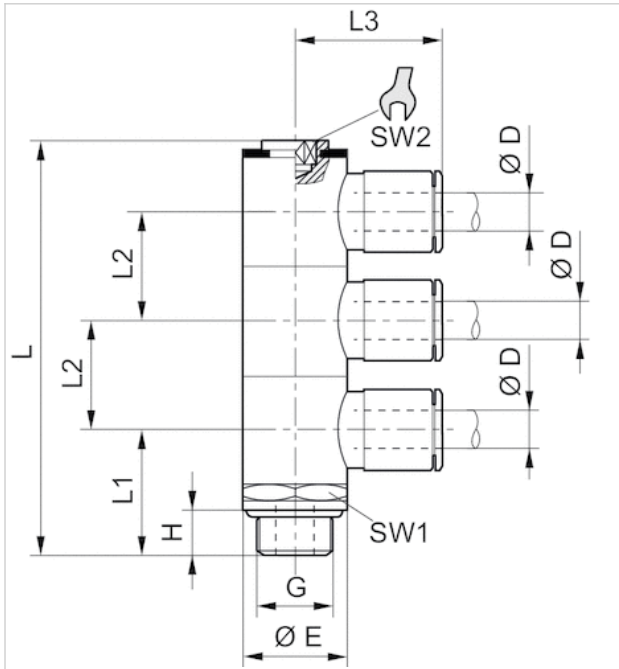
### Technical information

Material	
Housing	Brass, nickel-plated
Seal	Acrylonitrile butadiene rubber
Tooth lock washer	Stainless steel
Release ring	Brass, nickel-plated

Material	
Thread	Brass, nickel-plated

## Dimensions

### Dimensions



## Dimensions

Part No.	Port D	Port G	Ø E	H	L	L1	L2	L3	SW1	SW2
1823391920	Ø 4	G 1/8	13	6	59	19.1	15	21	14	3
1823391921	Ø 6	G 1/8	13	6	59	19.1	15	23	14	3
1823391922	Ø 8	G 1/8	13	6	59	19.1	15	24.5	14	3
1823391923	Ø 6	G 1/4	17	8	67	22.5	17	24	17	4
1823391924	Ø 8	G 1/4	17	8	67	22.5	17	26	17	4
1823391925	Ø 10	G 1/4	17	8	67	22.5	17	27	17	4
1823391926	Ø 12	G 1/4	17	8	67	22.5	17	28	17	4

## Series QR2-S-RTI standard

- T-banjo connection with hexagon socket, rotatable
- External thread
- M5 G 1/8 G 1/4 G 3/8
- push-in fitting
- Ø 4 Ø 5 Ø 6 Ø 8 Ø 10 Ø 12
- QR2-S-RTI



Working pressure min./max.	-0.95 ... 16 bar
Ambient temperature min./max.	-20 ... 80 °C
Weight per piece	See table below

### Technical data

Part No.	Port G	Port D	Delivery unit	Weight per piece
1823391661	M5	Ø 4	10 piece	0.017 kg
1823391662	M5	Ø 5	10 piece	0.021 kg
1823391663	G 1/8	Ø 4	10 piece	0.029 kg
1823391664	G 1/8	Ø 5	10 piece	0.031 kg
1823391665	G 1/8	Ø 6	10 piece	0.033 kg
1823391666	G 1/8	Ø 8	10 piece	0.035 kg
1823391667	G 1/4	Ø 6	10 piece	0.046 kg
1823391668	G 1/4	Ø 8	10 piece	0.048 kg
1823391669	G 1/4	Ø 10	10 piece	0.054 kg
1823391900	G 3/8	Ø 8	2 piece	0.056 kg
1823391901	G 3/8	Ø 10	2 piece	0.06 kg
1823391902	G 3/8	Ø 12	2 piece	0.08 kg

### Technical information

The series QR1 (plastic) and QR2 (metal) can not be combined  
Thread seal with captive O-ring

For further information about assembling and tolerances of adaptable tubing can be found in the "Technical information" document (available in the MediaCentre).

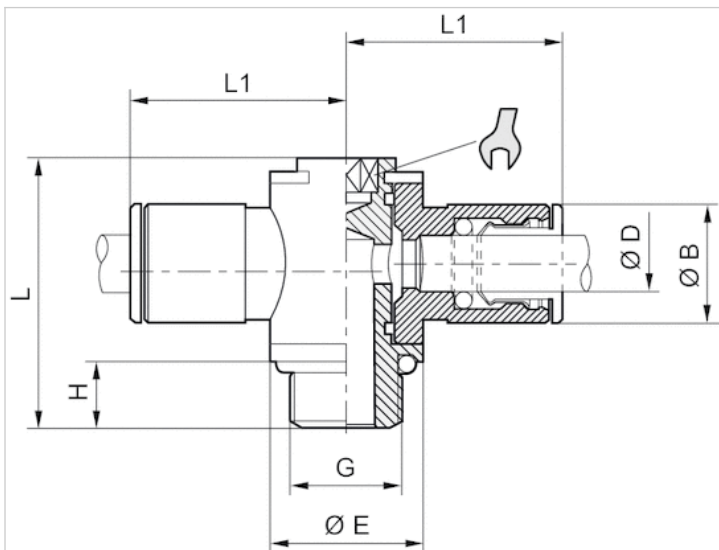
## Technical information

### Material

Housing	Brass, nickel-plated
Seal	Acrylonitrile butadiene rubber
Tooth lock washer	Stainless steel
Release ring	Brass, nickel-plated
Thread	Brass, nickel-plated

## Dimensions

### Dimensions



## Dimensions

Part No.	Port D	Port G	L	L1	H	Ø B	Ø E	SW
1823391661	Ø 4	M5	17	18.5	4	9	8	2
1823391662	Ø 5	M5	17	19.5	4	10	8	2
1823391663	Ø 4	G 1/8	25	21	6	9	14	3
1823391664	Ø 5	G 1/8	25	22.5	6	10	14	3
1823391665	Ø 6	G 1/8	25	23	6	11	14	3
1823391666	Ø 8	G 1/8	25	24.5	6	13	14	3
1823391667	Ø 6	G 1/4	29.3	24	8	11	18	4
1823391668	Ø 8	G 1/4	29.3	26	8	13	18	4
1823391669	Ø 10	G 1/4	29.3	27	8	15	18	4
1823391900	Ø 8	G 3/8	34	28	9	13	21	5
1823391901	Ø 10	G 3/8	34	29	9	15	21	5
1823391902	Ø 12	G 3/8	34	29	9	17	21	5

# Series QR2-S-RTT standard

- T-union, rotatable
- External thread
- M5 G 1/8 G 1/4 G 3/8 G 1/2
- push-in fitting
- Ø 4 Ø 6 Ø 8 Ø 10 Ø 12 Ø 14
- QR2-S-RTT



Working pressure min./max.	-0.95 ... 16 bar
Ambient temperature min./max.	-20 ... 80 °C
Weight per piece	See table below

## Technical data

Part No.	Port G	Port D	Delivery unit	Weight per piece
1823391812	M5	Ø 4	25 piece	0.019 kg
1823391813	G 1/8	Ø 4	25 piece	0.022 kg
1823391814	G 1/8	Ø 6	25 piece	0.033 kg
1823391815	G 1/8	Ø 8	25 piece	0.034 kg
1823391816	G 1/4	Ø 4	25 piece	0.028 kg
1823391817	G 1/4	Ø 6	25 piece	0.035 kg
1823391818	G 1/4	Ø 8	10 piece	0.038 kg
1823391819	G 1/4	Ø 10	10 piece	0.043 kg
1823391823	G 1/4	Ø 12	10 piece	0.072 kg
1823391820	G 3/8	Ø 8	10 piece	0.045 kg
1823391821	G 3/8	Ø 10	10 piece	0.046 kg
1823391822	G 3/8	Ø 12	5 piece	0.057 kg
1823391824	G 1/2	Ø 14	5 piece	0.091 kg

## Technical information

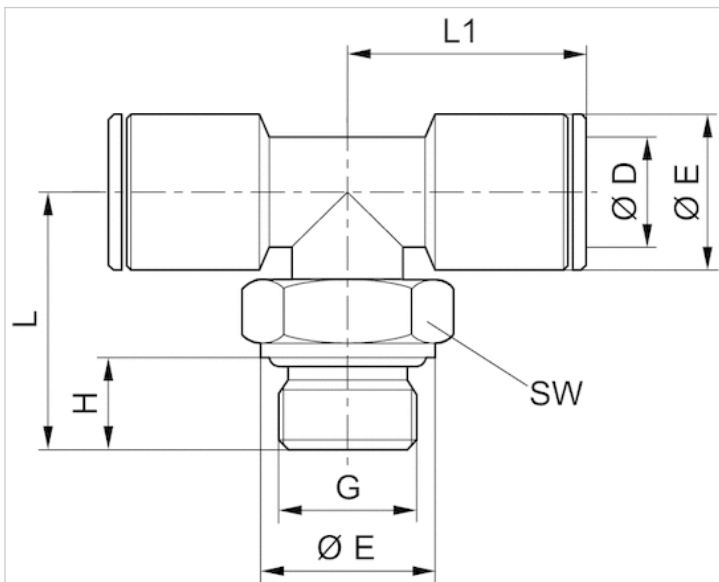
The series QR1 (plastic) and QR2 (metal) can not be combined  
Thread seal with captive O-ring

For further information about assembling and tolerances of adaptable tubing can be found in the "Technical information" document (available in the MediaCentre).

## Technical information

Material	
Housing	Brass, nickel-plated
Seal	Acrylonitrile butadiene rubber
Tooth lock washer	Stainless steel
Release ring	Brass, nickel-plated
Thread	Brass, nickel-plated

## Dimensions



## Dimensions

Part No.	Port D	Port G	Ø B	Ø E	H	L	L1	SW
1823391812	Ø 4	M5	8	9	4	16.5	19	9
1823391813	Ø 4	G 1/8	12.8	9	6	18.5	17.5	13
1823391814	Ø 6	G 1/8	13	11	6	20	21	13
1823391815	Ø 8	G 1/8	13	13	6	20	23	13
1823391816	Ø 4	G 1/4	12.8	9	8	22.5	19	16
1823391817	Ø 6	G 1/4	16	11	8	24	21	13
1823391818	Ø 8	G 1/4	16	13	8	24	23	13
1823391819	Ø 10	G 1/4	15.8	15	8	24.5	25	16
1823391823	Ø 12	G 1/4	16	17	8	28.5	28	16
1823391820	Ø 8	G 3/8	20	13	9	25.5	24	18
1823391821	Ø 10	G 3/8	20	15	9	28	26	16
1823391822	Ø 12	G 3/8	20	17	9	26.5	27	18
1823391824	Ø 14	G 1/2	25	20	11	33.5	31	20

## Series QR2-S-RTS standard

- T-Banjo connection
- External thread
- M5 G 1/8 G 1/4 G 3/8
- push-in fitting
- Ø 4 Ø 5 Ø 6 Ø 8 Ø 10 Ø 12
- QR2-S-RTS



Working pressure min./max.	-0.95 ... 16 bar
Ambient temperature min./max.	-20 ... 80 °C
Weight per piece	See table below

### Technical data

Part No.	Port G	Port D	Delivery unit	Weight per piece
1823391562	M5	Ø 4	10 piece	0.02 kg
1823391563	M5	Ø 5	10 piece	0.024 kg
1823391564	G 1/8	Ø 4	10 piece	0.034 kg
1823391565	G 1/8	Ø 5	10 piece	0.036 kg
1823391566	G 1/8	Ø 6	10 piece	0.038 kg
1823391567	G 1/8	Ø 8	10 piece	0.041 kg
1823391568	G 1/4	Ø 6	10 piece	0.054 kg
1823391569	G 1/4	Ø 8	10 piece	0.056 kg
1823391570	G 1/4	Ø 10	5 piece	0.063 kg
1823391571	G 3/8	Ø 8	5 piece	0.076 kg
1823391572	G 3/8	Ø 10	5 piece	0.096 kg
1823391573	G 3/8	Ø 12	5 piece	0.117 kg

### Technical information

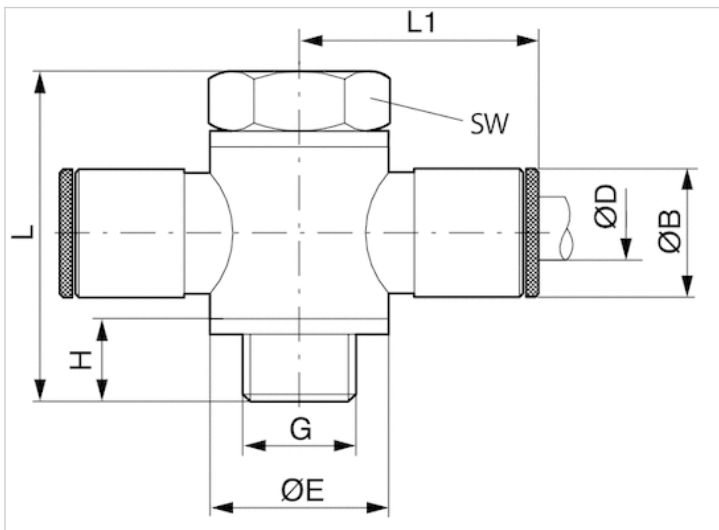
The series QR1 (plastic) and QR2 (metal) can not be combined  
Thread seal with captive O-ring

For further information about assembling and tolerances of adaptable tubing can be found in the "Technical information" document (available in the MediaCentre).

## Technical information

Material	
Housing	Brass, nickel-plated
Seal	Acrylonitrile butadiene rubber
Tooth lock washer	Stainless steel
Release ring	Brass, nickel-plated
Thread	Brass, nickel-plated

## Dimensions



## Dimensions

Part No.	Port D	Port G	Ø B	Ø E	H	L	L1	SW
1823391562	Ø 4	M5	9	8	4.5	17.5	18.5	8
1823391563	Ø 5	M5	10	7	4.5	17.5	19.5	8
1823391564	Ø 4	G 1/8	9	14	7.5	28	21	14
1823391565	Ø 5	G 1/8	10	14	7.5	28	22.5	14
1823391566	Ø 6	G 1/8	11	14	7.5	28	23	14
1823391567	Ø 8	G 1/8	13	14	7.5	28	24.5	14
1823391568	Ø 6	G 1/4	11	18	9	33	24	17
1823391569	Ø 8	G 1/4	13	18	9	33	26	17
1823391570	Ø 10	G 1/4	15	18	9	33	27	17
1823391571	Ø 8	G 3/8	13	21	9.5	36	28	22
1823391572	Ø 10	G 3/8	15	21	9.5	36	29	22
1823391573	Ø 12	G 3/8	17	21	9.5	36	30	22



# Series QR2-S-RLT standard

- Elbow fitting, rotatable
- External thread
- M5 G 1/8 G 1/4 G 3/8 G 1/2
- push-in fitting
- Ø 4 Ø 6 Ø 8 Ø 10 Ø 12 Ø 14
- QR2-S-RLT



Working pressure min./max.	-0.95 ... 16 bar
Ambient temperature min./max.	-20 ... 80 °C
Weight per piece	See table below

## Technical data

Part No.	Port G	Port D	Delivery unit	Weight per piece
1823391825	M5	Ø 4	10 piece	0.015 kg
1823391826	G 1/8	Ø 4	10 piece	0.023 kg
1823391827	G 1/8	Ø 6	10 piece	0.023 kg
1823391828	G 1/8	Ø 8	10 piece	0.029 kg
1823391829	G 1/4	Ø 4	10 piece	0.028 kg
1823391830	G 1/4	Ø 6	10 piece	0.031 kg
1823391831	G 1/4	Ø 8	10 piece	0.037 kg
1823391832	G 1/4	Ø 10	10 piece	0.044 kg
1823391836	G 1/4	Ø 12	5 piece	0.054 kg
1823391833	G 3/8	Ø 8	10 piece	0.045 kg
1823391834	G 3/8	Ø 10	10 piece	0.047 kg
1823391835	G 3/8	Ø 12	5 piece	0.058 kg
1823391837	G 1/2	Ø 14	5 piece	0.092 kg

## Technical information

The series QR1 (plastic) and QR2 (metal) can not be combined  
Thread seal with captive O-ring

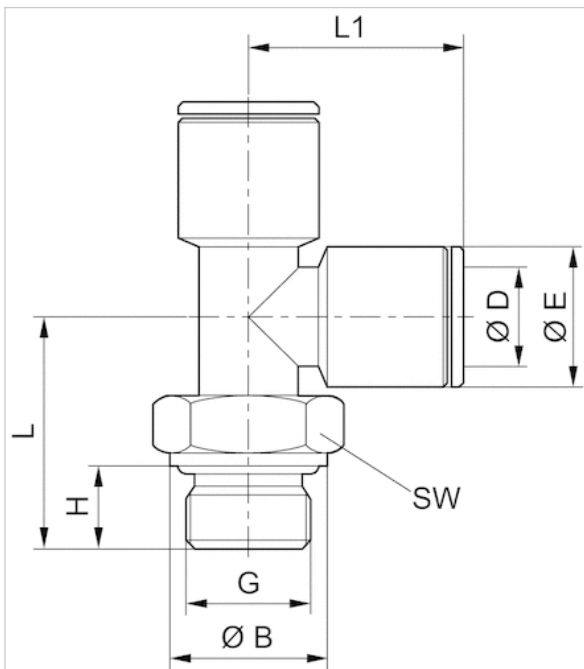
For further information about assembling and tolerances of adaptable tubing can be found in the "Technical information" document (available in the MediaCentre).

## Technical information

Material	
Housing	Brass, nickel-plated
Seal	Acrylonitrile butadiene rubber
Tooth lock washer	Stainless steel
Release ring	Brass, nickel-plated
Thread	Brass, nickel-plated

## Dimensions

### Dimensions



### Dimensions

Part No.	Port D	Port G	Ø B	Ø E	H	L	L1	SW
1823391825	Ø 4	M5	8	9	4	20	19	9
1823391826	Ø 4	G 1/8	12.8	9	5.8	18.5	17.5	13
1823391827	Ø 6	G 1/8	12.8	11	5.8	18.5	21	13
1823391828	Ø 8	G 1/8	12.8	13	5.8	20.5	23	13
1823391829	Ø 4	G 1/4	15.8	9	8	22.5	19	16
1823391830	Ø 6	G 1/4	15.8	11	8	22.5	21	13
1823391831	Ø 8	G 1/4	15.8	13	8	22.5	24	13
1823391832	Ø 10	G 1/4	15.8	15	8	24.5	27	16
1823391836	Ø 12	G 1/4	15.8	17	8	24.5	27	16
1823391833	Ø 8	G 3/8	20	13	9	25.5	24	13
1823391834	Ø 10	G 3/8	20	15	9	24.5	25.5	16
1823391835	Ø 12	G 3/8	20	17	9	26.5	27	18
1823391837	Ø 14	G 1/2	25	20	11	30.5	31	21



# Series QR2-S-RSM standard

- Bulkhead push-in fitting, metal
- push-in fitting
- Ø 4 Ø 5 Ø 6 Ø 8 Ø 10 Ø 12 Ø 14 Ø 16
- push-in fitting
- Ø 4 Ø 5 Ø 6 Ø 8 Ø 10 Ø 12 Ø 14 Ø 16
- QR2-S-RSM



Working pressure min./max.	-0.95 ... 16 bar
Ambient temperature min./max.	-20 ... 80 °C
Weight per piece	See table below

## Technical data

Part No.	Port G	Port D	Delivery unit	Weight per piece
1823391636	Ø 4	Ø 4	10 piece	0.017 kg
1823391637	Ø 5	Ø 5	10 piece	0.02 kg
1823391638	Ø 6	Ø 6	10 piece	0.022 kg
1823391639	Ø 8	Ø 8	10 piece	0.029 kg
1823391640	Ø 10	Ø 10	10 piece	0.058 kg
1823391641	Ø 12	Ø 12	5 piece	0.063 kg
1823391642	Ø 14	Ø 14	5 piece	0.092 kg
R412010241	Ø 16	Ø 16	2 piece	0.174 kg

## Technical information

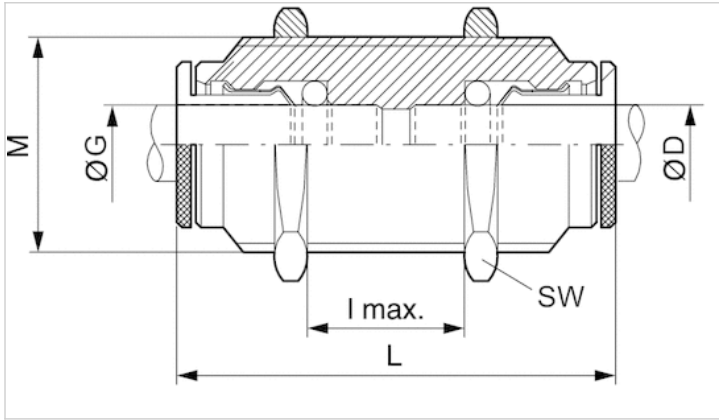
The series QR1 (plastic) and QR2 (metal) can not be combined

For further information about assembling and tolerances of adaptable tubing can be found in the "Technical information" document (available in the MediaCentre).

## Technical information

Material	
Housing	Brass, nickel-plated
Seal	Acrylonitrile butadiene rubber
Tooth lock washer	Stainless steel
Release ring	Brass, nickel-plated

## Dimensions



## Dimensions

Part No.	Port D	Port G	M	I max.	L	SW
1823391636	Ø 4	Ø 4	M10x1	8	32	13
1823391637	Ø 5	Ø 5	M11x1	8	33	14
1823391638	Ø 6	Ø 6	M14x1	8	33.5	17
1823391639	Ø 8	Ø 8	M16x1	10	37	18
1823391640	Ø 10	Ø 10	M17x1	12	39.5	20
1823391641	Ø 12	Ø 12	M20x1	17	42	24
1823391642	Ø 14	Ø 14	M22x1	18	45	25
R412010241	Ø16	Ø16	M28x1,5	21	50	36

## Series QR2-S-RSK standard

- Straight plug connector
- push-in fitting
- Ø 4 Ø 5 Ø 6 Ø 8 Ø 10 Ø 12 Ø 14 Ø 16
- M28x1,5
- QR2-S-RSK



Working pressure min./max.	-0.95 ... 16 bar
Ambient temperature min./max.	-20 ... 80 °C
Weight per piece	See table below

### Technical data

Part No.	Port G	Delivery unit	Weight per piece
1823386077	Ø 4	10 piece	0.012 kg
1823386078	Ø 5	10 piece	0.014 kg
1823386079	Ø 6	10 piece	0.016 kg
1823386080	Ø 8	10 piece	0.023 kg
1823386081	Ø 10	10 piece	0.043 kg
1823386082	Ø 12	5 piece	0.052 kg
1823386083	Ø 14	5 piece	0.075 kg
R412010539	Ø 16	1 piece	0.114 kg

### Technical information

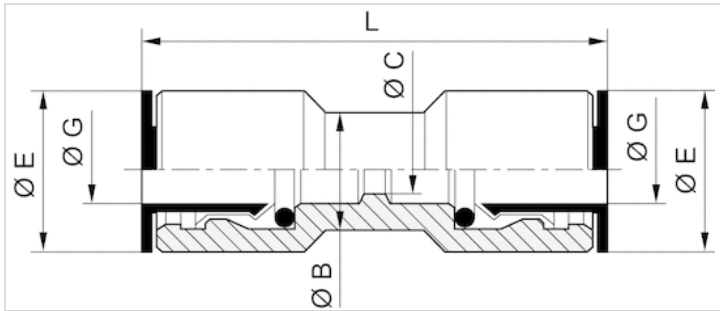
The series QR1 (plastic) and QR2 (metal) can not be combined

For further information about assembling and tolerances of adaptable tubing can be found in the "Technical information" document (available in the MediaCentre).

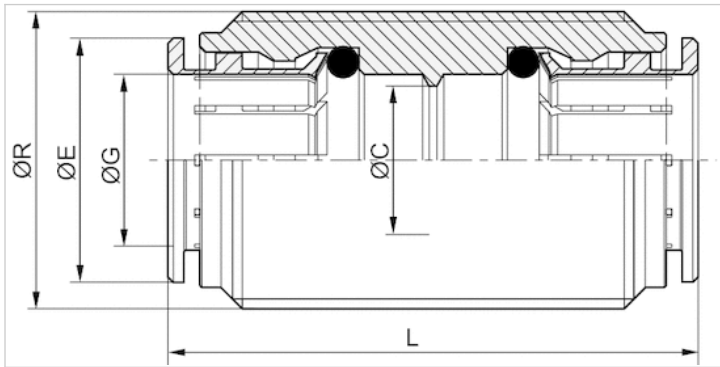
### Technical information

Material	
Housing	Brass, nickel-plated
Seal	Acrylonitrile butadiene rubber
Tooth lock washer	Stainless steel
Release ring	Brass, nickel-plated

## Dimensions



### Dimensions for fitting with external thread



## Dimensions

Part No.	Port R	Port G	ØB	ØC	ØE	L
1823386077	-	Ø 4	7	3	9	30
1823386078	-	Ø 5	8	4	9.5	32
1823386079	-	Ø 6	10	5	11	31.5
1823386080	-	Ø 8	12	7	13	36
1823386081	-	Ø 10	13	9	15	37
1823386082	-	Ø 12	16	11	17	40.5
1823386083	-	Ø 14	18	12	20	45
R412010539	M28x1,5	Ø16	-	14	23	50

# Series QR2-S-RVK standard

- Angled plug connector
- push-in fitting
- Ø 4 Ø 5 Ø 6 Ø 8 Ø 10 Ø 12 Ø 14 Ø 16
- push-in fitting
- Ø 4 Ø 5 Ø 6 Ø 8 Ø 10 Ø 12 Ø 14 Ø 16
- QR2-S-RVK



Working pressure min./max.	-0.95 ... 16 bar
Ambient temperature min./max.	-20 ... 80 °C
Weight per piece	See table below

## Technical data

Part No.	Port G	Port D	Delivery unit	Weight per piece
1823380012	Ø 4	Ø 4	10 piece	0.01 kg
1823380013	Ø 5	Ø 5	10 piece	0.011 kg
1823380014	Ø 6	Ø 6	10 piece	0.014 kg
1823380015	Ø 8	Ø 8	10 piece	0.019 kg
1823380016	Ø 10	Ø 10	10 piece	0.026 kg
1823380017	Ø 12	Ø 12	5 piece	0.037 kg
1823380018	Ø 14	Ø 14	5 piece	0.056 kg
R412010540	Ø 16	Ø 16	1 piece	0.064 kg

## Technical information

The series QR1 (plastic) and QR2 (metal) can not be combined

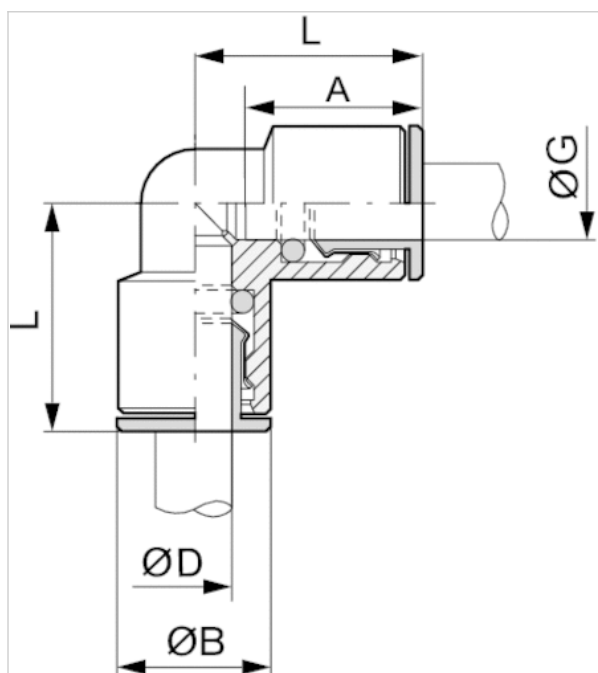
For further information about assembling and tolerances of adaptable tubing can be found in the "Technical information" document (available in the MediaCentre).

## Technical information

Material	
Housing	Brass, nickel-plated
Seal	Acrylonitrile butadiene rubber
Tooth lock washer	Stainless steel
Release ring	Brass, nickel-plated



## Dimensions



## Dimensions

Part No.	Port D	Port G	ØB	L	A Insertion depth
1823380012	Ø 4	Ø 4	9	17.5	14
1823380013	Ø 5	Ø 5	9.5	19	16
1823380014	Ø 6	Ø 6	11	19.5	16
1823380015	Ø 8	Ø 8	13	23	18
1823380016	Ø 10	Ø 10	15	25	19
1823380017	Ø 12	Ø 12	17	27	20
1823380018	Ø 14	Ø 14	19	30	22
R412010540	Ø16	Ø16	23	33	36

# Series QR2-S-RTK standard

- T-plug connector
- push-in fitting
- Ø 4 Ø 5 Ø 6 Ø 8 Ø 10 Ø 12 Ø 14 Ø 16
- push-in fitting
- Ø 4 Ø 5 Ø 6 Ø 8 Ø 10 Ø 12 Ø 14 Ø 16
- QR2-S-RTK



Working pressure min./max.	-0.95 ... 16 bar
Ambient temperature min./max.	-20 ... 80 °C
Weight per piece	See table below

## Technical data

Part No.	Port G	Port D	Delivery unit	Weight per piece
1823381043	Ø 4	Ø 4	10 piece	0.015 kg
1823381044	Ø 5	Ø 5	10 piece	0.016 kg
1823381045	Ø 6	Ø 6	10 piece	0.019 kg
1823381046	Ø 8	Ø 8	10 piece	0.027 kg
1823381047	Ø 10	Ø 10	10 piece	0.038 kg
1823381048	Ø 12	Ø 12	5 piece	0.051 kg
1823381049	Ø 14	Ø 14	5 piece	0.076 kg
R412010541	Ø 16	Ø 16	1 piece	0.115 kg

## Technical information

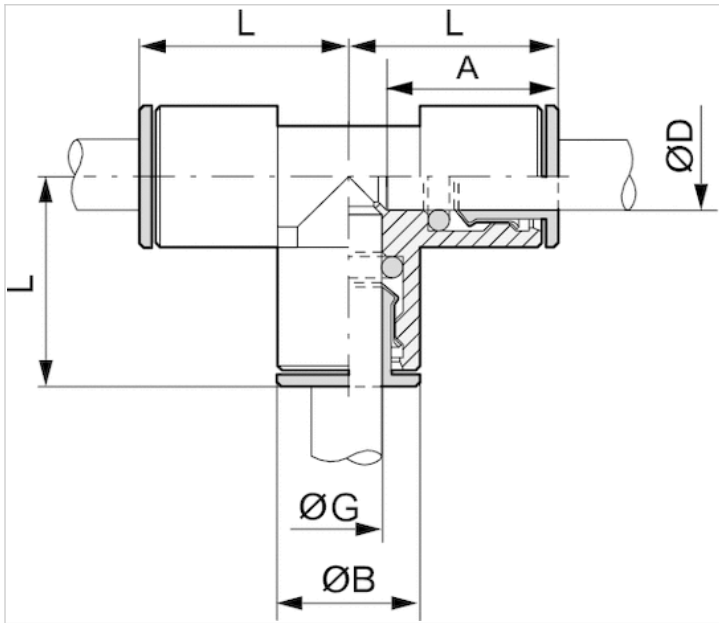
The series QR1 (plastic) and QR2 (metal) can not be combined

For further information about assembling and tolerances of adaptable tubing can be found in the "Technical information" document (available in the MediaCentre).

## Technical information

Material	
Housing	Brass, nickel-plated
Seal	Acrylonitrile butadiene rubber
Tooth lock washer	Stainless steel
Release ring	Brass, nickel-plated

## Dimensions



## Dimensions

Part No.	Port D	Port G	ØB	L	A Insertion depth
1823381043	Ø 4	Ø 4	9	17.5	15
1823381044	Ø 5	Ø 5	10	19	16
1823381045	Ø 6	Ø 6	11	19.5	16
1823381046	Ø 8	Ø 8	13	23	18
1823381047	Ø 10	Ø 10	15	25	15
1823381048	Ø 12	Ø 12	17	27	20
1823381049	Ø 14	Ø 14	20	30	22
R412010541	Ø16	Ø16	23	36	25

# Series QR2-S-RYK standard

- Y - Plug connection
- push-in fitting
- Ø 4 Ø 6 Ø 8 Ø 10
- push-in fitting
- Ø 4 Ø 6 Ø 8 Ø 10
- QR2-S-RYK



Working pressure min./max.	-0.95 ... 15 bar
Ambient temperature min./max.	-20 ... 70 °C
Weight per piece	See table below

## Technical data

Part No.	Port G	Port D	Delivery unit	Weight per piece
R412010804	Ø 4	Ø 4	5 piece	0.014 kg
R412010802	Ø 6	Ø 6	5 piece	0.034 kg
R412010117	Ø 8	Ø 8	5 piece	0.044 kg
R412010535	Ø 10	Ø 10	5 piece	0.062 kg

## Technical information

The series QR1 (plastic) and QR2 (metal) can not be combined

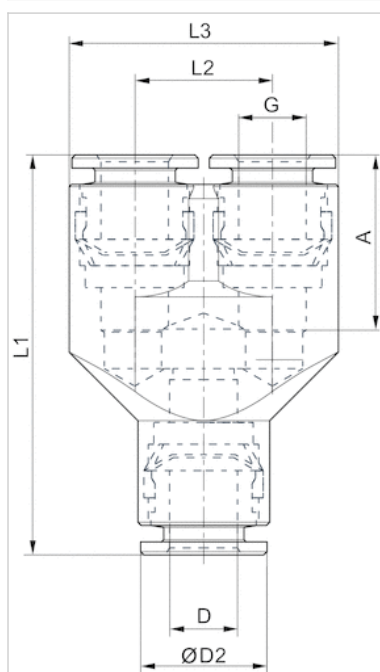
For further information about assembling and tolerances of adaptable tubing can be found in the "Technical information" document (available in the MediaCentre).

## Technical information

Material	
Housing	Brass, nickel-plated
Seal	Acrylonitrile butadiene rubber
Release ring	Brass, nickel-plated

## Dimensions

### Dimensions



## Dimensions

Part No.	Port D	Port G	A Insertion depth	ØD2	L1	L2	L3
R412010804	Ø 4	Ø 4	12.5	9	29.5	9.5	18.5
R412010802	Ø 6	Ø 6	15.5	11.5	36	12.5	24.5
R412010117	Ø 8	Ø 8	15.5	13.5	37.5	14.5	28.5
R412010535	Ø 10	Ø 10	17.5	15.5	44	16.5	32.5

# Series QR2-S-REE standard

- Straight push-in fitting, increasing
- pin bushing
- Ø 4 Ø 6
- push-in fitting
- Ø 6 Ø 8
- QR2-S-REE



Working pressure min./max. -0.95 ... 16 bar  
 Ambient temperature min./max. -20 ... 80 °C  
 Weight per piece See table below

## Technical data

Part No.	Port G	Port D	Delivery unit	Weight per piece
1823391628	Ø 4	Ø 6	10 piece	0.008 kg
1823391890	Ø 6	Ø 8	10 piece	0.01 kg

## Technical information

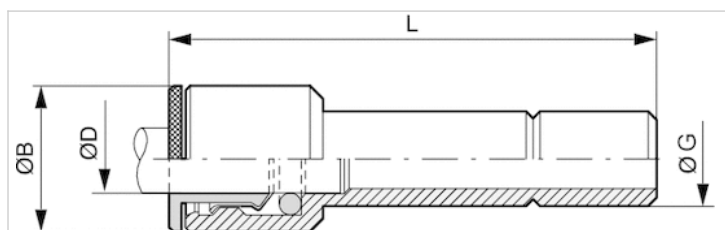
The series QR1 (plastic) and QR2 (metal) can not be combined

For further information about assembling and tolerances of adaptable tubing can be found in the "Technical information" document (available in the MediaCentre).

## Technical information

Material	
Housing	Brass, nickel-plated
Seal	Acrylonitrile butadiene rubber
Tooth lock washer	Stainless steel
Release ring	Brass, nickel-plated

## Dimensions



## Dimensions

Part No.	Port D	Port G	Ø B	L
1823391628	Ø 6	Ø 4	10.5	33.5
1823391890	Ø 8	Ø 6	13	39

## Series QR2-S-RED standard

- Straight push-in fitting, reducing
- push-in fitting
- Ø 4 Ø 5 Ø 6 Ø 8 Ø 10 Ø 12 Ø 14
- pin bushing
- Ø 5 Ø 6 Ø 8 Ø 10 Ø 12 Ø 14 Ø 16
- QR2-S-RED



Working pressure min./max.	-0.95 ... 16 bar
Ambient temperature min./max.	-20 ... 80 °C
Weight per piece	See table below

### Technical data

Part No.	Port G	Port D	Delivery unit	Weight per piece
1823391614	Ø 4	Ø 5	10 piece	0.007 kg
1823391615	Ø 4	Ø 6	10 piece	0.008 kg
1823391616	Ø 5	Ø 6	10 piece	0.009 kg
1823391617	Ø 4	Ø 8	10 piece	0.011 kg
1823391618	Ø 5	Ø 8	10 piece	0.011 kg
1823391619	Ø 6	Ø 8	10 piece	0.012 kg
1823391620	Ø 6	Ø 10	10 piece	0.016 kg
1823391621	Ø 8	Ø 10	10 piece	0.018 kg
1823391622	Ø 4	Ø 12	10 piece	0.024 kg
1823391623	Ø 6	Ø 12	10 piece	0.022 kg
1823391624	Ø 8	Ø 12	10 piece	0.02 kg
1823391903	Ø 10	Ø 12	5 piece	0.019 kg
1823391625	Ø 4	Ø 14	5 piece	0.024 kg
1823391626	Ø 6	Ø 14	5 piece	0.023 kg
1823391627	Ø 8	Ø 14	5 piece	0.026 kg
1823391842	Ø 10	Ø 14	5 piece	0.03 kg
1823391811	Ø 12	Ø 14	10 piece	0.041 kg
R412010190	Ø 14	Ø 16	5 piece	0.039 kg

### Technical information

The series QR1 (plastic) and QR2 (metal) can not be combined

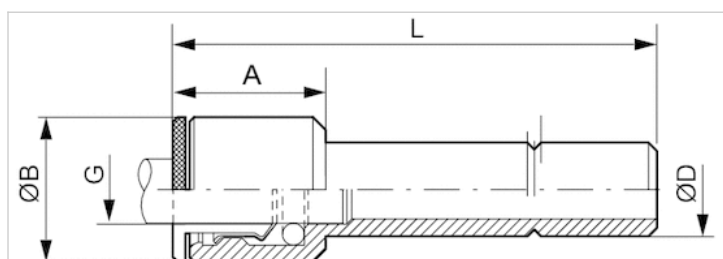
For further information about assembling and tolerances of adaptable tubing can be found in the "Technical information" document (available in the MediaCentre).



## Technical information

Material	
Housing	Brass, nickel-plated
Seal	Acrylonitrile butadiene rubber
Tooth lock washer	Stainless steel
Release ring	Brass, nickel-plated

## Dimensions



## Dimensions

Part No.	Port D	Port G	Ø B	L	A Insertion depth
1823391614	Ø 5	Ø 4	9	32.5	15
1823391615	Ø 6	Ø 4	9	28.5	15
1823391616	Ø 6	Ø 5	9.5	35.5	16
1823391617	Ø 8	Ø 4	9	31	15
1823391618	Ø 8	Ø 5	9.5	32.5	16
1823391619	Ø 8	Ø 6	10.5	33.5	16
1823391620	Ø 10	Ø 6	10.5	36.5	16
1823391621	Ø 10	Ø 8	13	38	18
1823391622	Ø 12	Ø 4	13	39.5	15
1823391623	Ø 12	Ø 6	13	39.5	16
1823391624	Ø 12	Ø 8	13	38.5	18
1823391903	Ø 12	Ø 10	15	41	20
1823391625	Ø 14	Ø 4	15	43	15
1823391626	Ø 14	Ø 6	15	43	16
1823391627	Ø 14	Ø 8	15	43	18
1823391842	Ø 14	Ø 10	15	43	20
1823391811	Ø 14	Ø 12	17	43	22
R412010190	Ø16	Ø 14	20	47	25

# Series QR2-S-RVA standard

- Angled plug-in connector
- pin bushing
- Ø 4 Ø 6 Ø 8 Ø 10 Ø 12 Ø 14
- push-in fitting
- Ø 4 Ø 6 Ø 8 Ø 10 Ø 12 Ø 14
- QR2-S-RVA



Working pressure min./max.	-0.95 ... 16 bar
Ambient temperature min./max.	-20 ... 80 °C
Weight per piece	See table below

## Technical data

Part No.	Port G	Port D	Delivery unit	Weight per piece
R412004851	Ø 4	Ø 4	10 piece	0.007 kg
R412004852	Ø 6	Ø 6	10 piece	0.012 kg
1823391942	Ø 8	Ø 8	10 piece	0.016 kg
1823391943	Ø 10	Ø 10	10 piece	0.025 kg
1823391944	Ø 12	Ø 12	10 piece	0.034 kg
R412010739	Ø 14	Ø 14	10 piece	0.042 kg

## Technical information

The series QR1 (plastic) and QR2 (metal) can not be combined

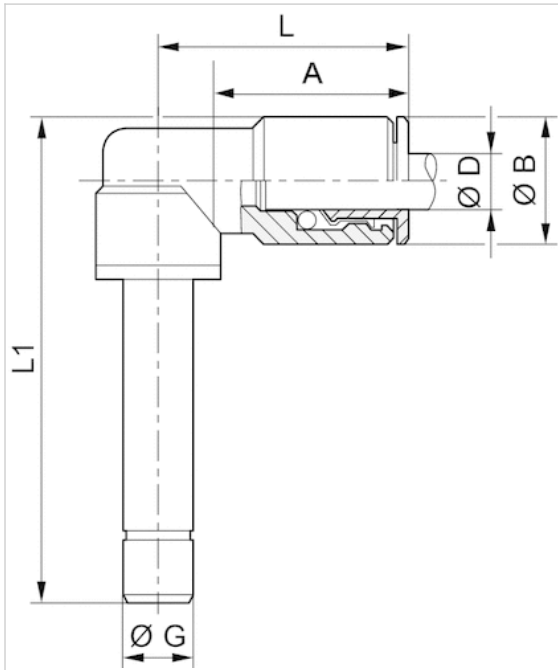
For further information about assembling and tolerances of adaptable tubing can be found in the "Technical information" document (available in the MediaCentre).

## Technical information

Material	
Housing	Brass, nickel-plated
Seal	Acrylonitrile butadiene rubber
Tooth lock washer	Stainless steel
Release ring	Brass, nickel-plated

## Dimensions

### Dimensions



## Dimensions

Part No.	Port D	Port G	Ø D	Ø B	L	L1	A Insertion depth
R412004851	Ø 4	Ø 4	4	9	18	24.5	15
R412004852	Ø 6	Ø 6	6	11	20	32	16
1823391942	Ø 8	Ø 8	8	13	23	37.5	17.5
1823391943	Ø 10	Ø 10	10	15	25	43.1	19
1823391944	Ø 12	Ø 12	12	17	27	49.5	20
R412010739	Ø 14	Ø 14	14	20	32	54	22.5

# Series QR2-S-RBS standard

- Blanking plug
- pin bushing
- Ø 4 Ø 5 Ø 6 Ø 8 Ø 10 Ø 12 Ø 14
- QR2-S-RBS



Working pressure min./max.	-0.95 ... 16 bar
Ambient temperature min./max.	-20 ... 80 °C
Weight per piece	See table below

## Technical data

Part No.	Port G	Delivery unit	Weight per piece
1823391607	Ø 4	25 piece	0.002 kg
1823391608	Ø 5	25 piece	0.006 kg
1823391609	Ø 6	25 piece	0.008 kg
1823391610	Ø 8	25 piece	0.015 kg
1823391611	Ø 10	25 piece	0.018 kg
1823391612	Ø 12	10 piece	0.023 kg
1823391613	Ø 14	10 piece	0.037 kg

## Technical information

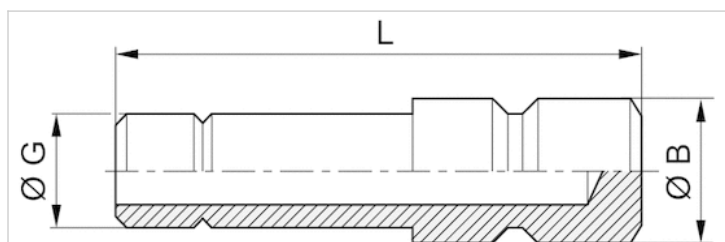
The series QR1 (plastic) and QR2 (metal) can not be combined

For further information about assembling and tolerances of adaptable tubing can be found in the "Technical information" document (available in the MediaCentre).

## Technical information

Material	
Housing	Brass, nickel-plated

## Dimensions



## Dimensions

Part No.	Port G	Ø B	L
1823391607	Ø 4	5	25.5
1823391608	Ø 5	6	26.5
1823391609	Ø 6	7	27.5
1823391610	Ø 8	9	30.5
1823391611	Ø 10	11	35
1823391612	Ø 12	13	37
1823391613	Ø 14	15	40

# Series QR2-S-RDS standard

- Connection piece
- pin bushing
- Ø 5 Ø 10 Ø 12 Ø 14
- QR2-S-RDS



Working pressure min./max.	-0.95 ... 16 bar
Ambient temperature min./max.	-20 ... 80 °C
Weight per piece	See table below

## Technical data

Part No.	Port D	Delivery unit	Weight per piece
1823391630	Ø 5	25 piece	0.003 kg
1823391633	Ø 10	25 piece	0.01 kg
1823391634	Ø 12	10 piece	0.014 kg
1823391635	Ø 14	10 piece	0.018 kg

## Technical information

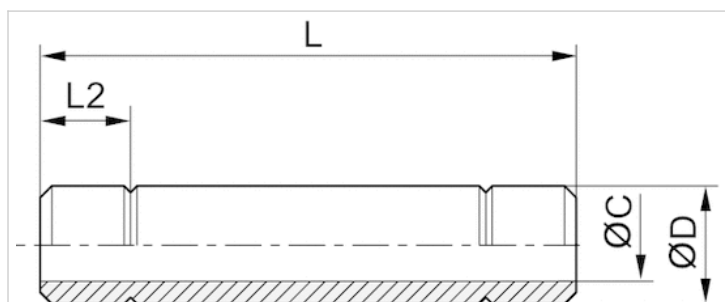
The series QR1 (plastic) and QR2 (metal) can not be combined

For further information about assembling and tolerances of adaptable tubing can be found in the "Technical information" document (available in the MediaCentre).

## Technical information

Material	
Housing	Brass, nickel-plated

## Dimensions



## Dimensions

Part No.	Port D	Ø C	L	L2
1823391630	Ø 5	3	33	4.6
1823391633	Ø 10	8	45.5	6.5
1823391634	Ø 12	10	48	6.6
1823391635	Ø 14	12	53	7.7

# Series QR2-S-RDS standard

- Union with collar
- pin bushing
- Ø 4 Ø 6 Ø 8 Ø16
- QR2-S-RDS



Working pressure min./max.	-0.95 ... 16 bar
Ambient temperature min./max.	-20 ... 80 °C
Weight per piece	See table below

## Technical data

Part No.	Port D	Delivery unit	Weight per piece
1823391629	Ø 4	25 piece	0.003 kg
1823391631	Ø 6	25 piece	0.005 kg
1823391632	Ø 8	25 piece	0.007 kg
R412010191	Ø16	10 piece	0.024 kg

## Technical information

The series QR1 (plastic) and QR2 (metal) can not be combined

For further information about assembling and tolerances of adaptable tubing can be found in the "Technical information" document (available in the MediaCentre).

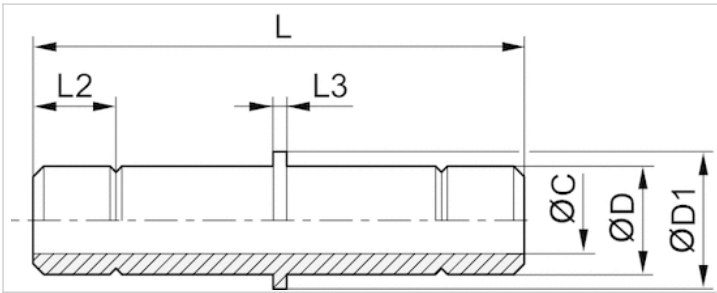
## Technical information

Material	
Housing	Brass, nickel-plated



## Dimensions

### Dimensions



## Dimensions

Part No.	Port D	Ø C	L	L2	L3	ØD1
1823391629	Ø 4	2	35	5.4	0.6	17
1823391631	Ø 6	4	36.6	5.8	0.6	9
1823391632	Ø 8	6	40	6.9	1	7
R412010191	Ø16	14	58	8.7	2	5

# Series QR2-S-RH1 standard

- 1x banjo bolt
- External thread
- M5 G 1/8 G 1/4 G 3/8
- QR2-S-RH1



Working pressure min./max.	-0.95 ... 16 bar
Ambient temperature min./max.	-20 ... 70 °C
Weight per piece	See table below

## Technical data

Part No.	Port G	Delivery unit	Weight per piece
1823391574	M5	10 piece	0.003 kg
1823391575	G 1/8	10 piece	0.004 kg
1823391576	G 1/4	10 piece	0.027 kg
1823391577	G 3/8	10 piece	0.045 kg

## Technical information

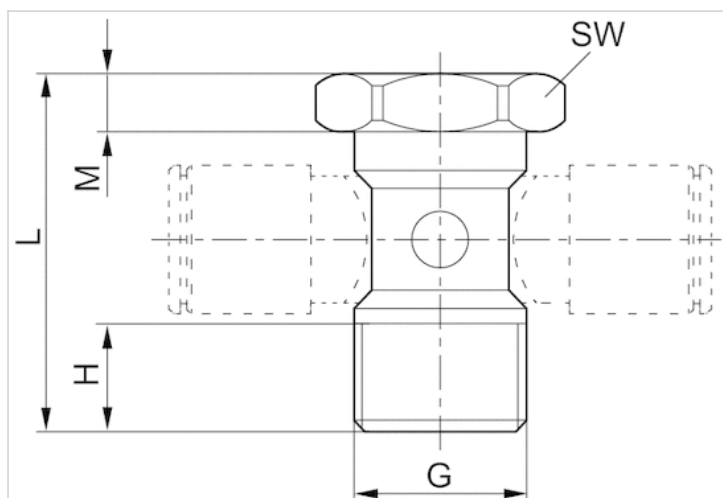
The series QR1 (plastic) and QR2 (metal) can not be combined  
Only applicable in combination with QR2-S and NU2-S series banjo unions.

For further information about assembling and tolerances of adaptable tubing can be found in the "Technical information" document (available in the MediaCentre).

## Technical information

Material	
Housing	Brass, nickel-plated
Seal	Polyvinyl chloride
Tooth lock washer	Stainless steel

## Dimensions



## Dimensions

Part No.	Port G	H	L	M	SW
1823391574	M5	4.5	17.5	3	8
1823391575	G 1/8	9	28	4	14
1823391576	G 1/4	11	33	5	17
1823391577	G 3/8	12	36	4.5	19

# Series QR2-S-RH2 standard

- 2x banjo bolt
- External thread
- G 1/8 G 1/4 G 3/8
- QR2-S-RH2



Working pressure min./max.	-0.95 ... 16 bar
Ambient temperature min./max.	-20 ... 70 °C
Weight per piece	See table below

## Technical data

Part No.	Port G	Delivery unit	Weight per piece
1823391579	G 1/8	10 piece	0.02 kg
1823391580	G 1/4	10 piece	0.035 kg
1823391581	G 3/8	10 piece	0.063 kg

## Technical information

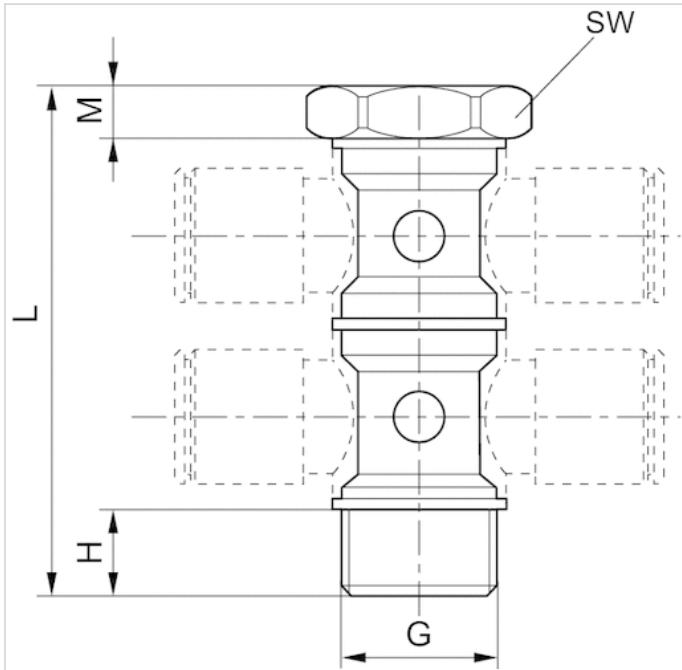
The series QR1 (plastic) and QR2 (metal) can not be combined  
Only applicable in combination with QR2-S and NU2-S series banjo unions.

For further information about assembling and tolerances of adaptable tubing can be found in the "Technical information" document (available in the MediaCentre).

## Technical information

Material	
Housing	Brass, nickel-plated
Seal	Polyvinyl chloride
Tooth lock washer	Stainless steel

## Dimensions



## Dimensions

Part No.	Port G	H	L	M	SW
1823391579	G 1/8	6	44.5	4	14
1823391580	G 1/4	6.5	51.5	5	17
1823391581	G 3/8	7.5	58.1	4.5	19

# Series QR2-S-RH3 standard

- 3x banjo bolt
- External thread
- G 1/8 G 1/4 G 3/8
- QR2-S-RH3



Working pressure min./max. -0.95 ... 15 bar  
Ambient temperature min./max. -10 ... 70 °C

## Technical data

Part No.	Port G	Delivery unit
1823462065	G 1/8	10 piece
1823462066	G 1/4	2 piece
1823391052	G 3/8	2 piece

## Technical information

Only applicable in combination with QR2-S and NU2-S series banjo unions.

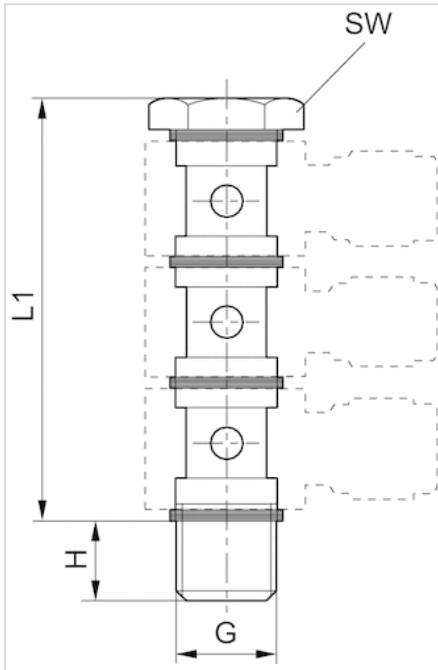
For further information about assembling and tolerances of adaptable tubing can be found in the "Technical information" document (available in the MediaCentre).

## Technical information

Material	
Housing	Brass, nickel-plated
Seal	Polyvinyl chloride

## Dimensions

### Dimensions



## Dimensions

Part No.	Port G	H	L1	SW
1823462065	G 1/8	5,0	55	14
1823462066	G 1/4	6.5	64	17
1823391052	G 3/8	7.5	72.5	19

## Series QR2-S-RV1 standard

- 1x banjo union
- M5 G 1/8 G 1/4 G 3/8
- push-in fitting
- Ø 4 Ø 5 Ø 6 Ø 8 Ø 10 Ø 12
- QR2-S-RV1



Working pressure min./max.	-0.95 ... 16 bar
Ambient temperature min./max.	-20 ... 80 °C
Weight per piece	See table below

### Technical data

Part No.	Port G	Port D	Delivery unit	Weight per piece
1823391583	M5	Ø 4	10 piece	0.007 kg
1823391584	M5	Ø 5	10 piece	0.009 kg
1823391585	G 1/8	Ø 4	10 piece	0.01 kg
1823391586	G 1/8	Ø 5	10 piece	0.012 kg
1823391587	G 1/8	Ø 6	10 piece	0.013 kg
1823391588	G 1/8	Ø 8	10 piece	0.018 kg
1823391589	G 1/4	Ø 6	10 piece	0.018 kg
1823391590	G 1/4	Ø 8	10 piece	0.021 kg
1823391591	G 1/4	Ø 10	5 piece	0.025 kg
1823391592	G 3/8	Ø 8	5 piece	0.027 kg
1823391593	G 3/8	Ø 10	5 piece	0.032 kg
1823391594	G 3/8	Ø 12	5 piece	0.043 kg

### Technical information

The series QR1 (plastic) and QR2 (metal) can not be combined

For further information about assembling and tolerances of adaptable tubing can be found in the "Technical information" document (available in the MediaCentre).

### Technical information

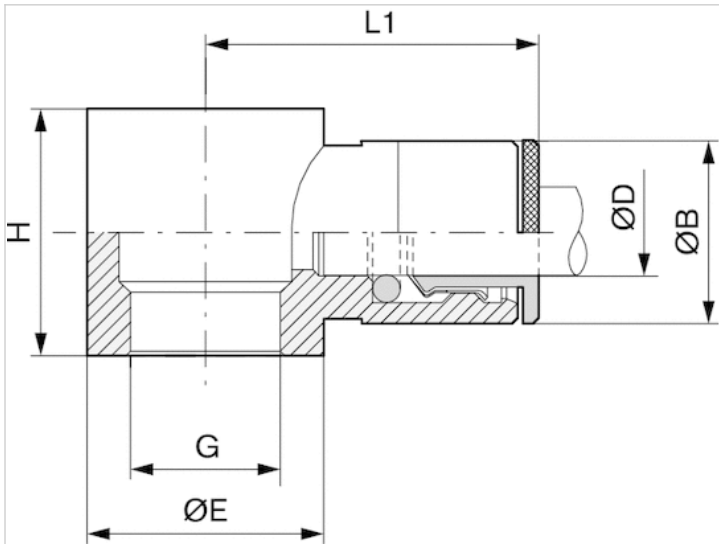
Material	
Housing	Brass, nickel-plated
Seal	Acrylonitrile butadiene rubber



Material	
Tooth lock washer	Stainless steel
Release ring	Brass, nickel-plated

## Dimensions

### Dimensions



### Dimensions

Part No.	Port D	Port G	Ø B	Ø E	H	L1
1823391583	Ø 4	M5	9	8.2	9	18.5
1823391584	Ø 5	M5	10	7	9	19.5
1823391585	Ø 4	G 1/8	9	14	15	21
1823391586	Ø 5	G 1/8	10	14	15	22.5
1823391587	Ø 6	G 1/8	11	14	15	23
1823391588	Ø 8	G 1/8	13	14	15	24.5
1823391589	Ø 6	G 1/4	11	18	17	24
1823391590	Ø 8	G 1/4	13	18	17	26
1823391591	Ø 10	G 1/4	15	18	17	27
1823391592	Ø 8	G 3/8	13	21	20	28
1823391593	Ø 10	G 3/8	15	21	20	29
1823391594	Ø 12	G 3/8	17	21	20	30

## Series QR2-S-RT1 standard

- 2x banjo union
- M5 G 1/8 G 1/4 G 3/8
- push-in fitting
- Ø 4 Ø 5 Ø 6 Ø 8 Ø 10 Ø 12
- QR2-S-RT1



Working pressure min./max.	-0.95 ... 16 bar
Ambient temperature min./max.	-20 ... 80 °C
Weight per piece	See table below

### Technical data

Part No.	Port G	Port D	Delivery unit	Weight per piece
1823391595	M5	Ø 4	10 piece	0.013 kg
1823391596	M5	Ø 5	10 piece	0.017 kg
1823391597	G 1/8	Ø 4	10 piece	0.02 kg
1823391598	G 1/8	Ø 5	10 piece	0.022 kg
1823391599	G 1/8	Ø 6	10 piece	0.024 kg
1823391600	G 1/8	Ø 8	10 piece	0.027 kg
1823391601	G 1/4	Ø 6	10 piece	0.027 kg
1823391602	G 1/4	Ø 8	10 piece	0.029 kg
1823391603	G 1/4	Ø 10	5 piece	0.036 kg
1823391604	G 3/8	Ø 8	5 piece	0.031 kg
1823391605	G 3/8	Ø 10	5 piece	0.051 kg
1823391606	G 3/8	Ø 12	5 piece	0.072 kg

### Technical information

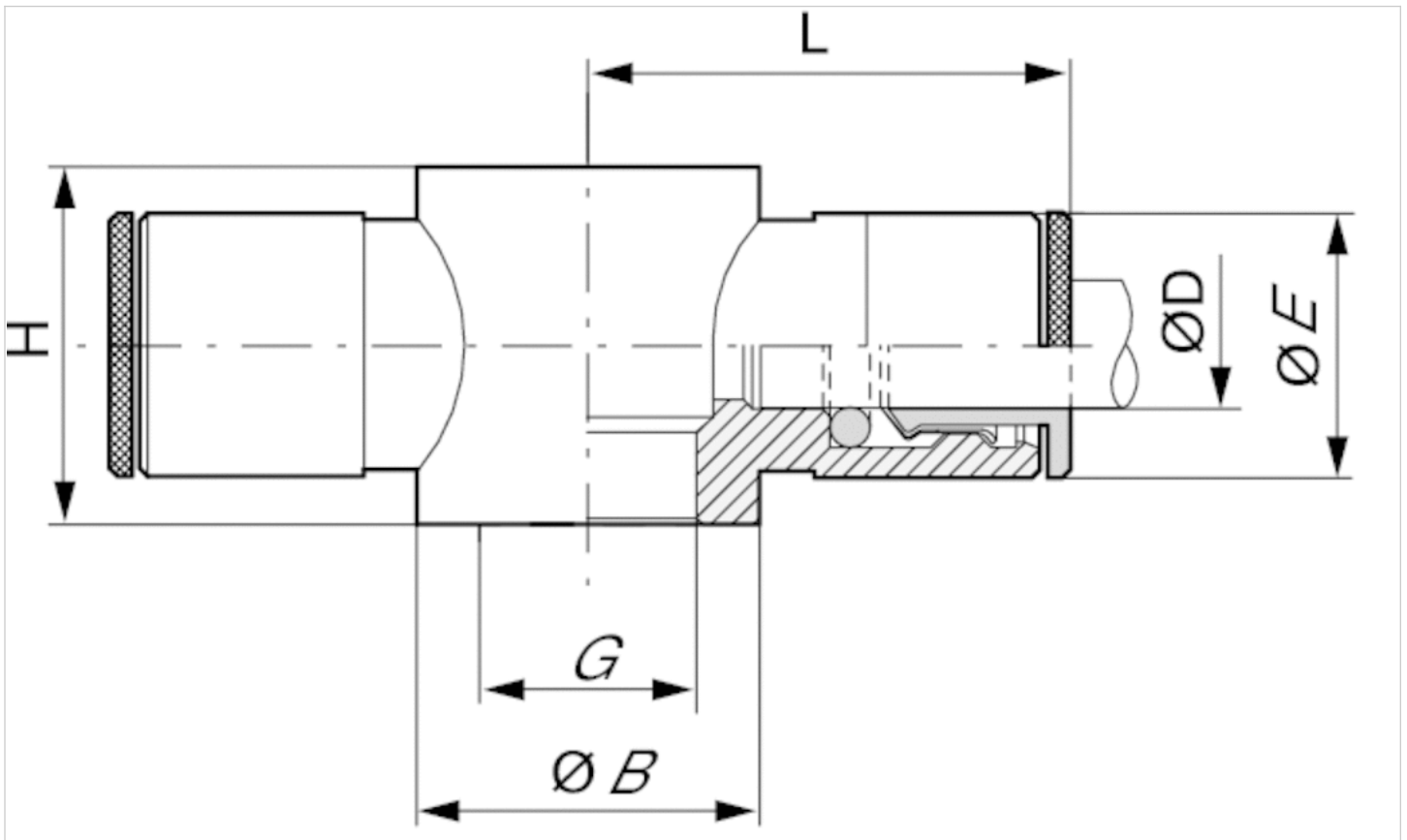
The series QR1 (plastic) and QR2 (metal) can not be combined  
The banjo unions and banjo bolts of the QR2 and NU2 series can be combined.

For further information about assembling and tolerances of adaptable tubing can be found in the "Technical information" document (available in the MediaCentre).

## Technical information

Material	
Housing	Brass, nickel-plated
Seal	Acrylonitrile butadiene rubber
Tooth lock washer	Stainless steel
Release ring	Brass, nickel-plated

## Dimensions



## Dimensions

Part No.	Port D	Port G	Ø B	Ø E	H	L
1823391595	Ø 4	M5	8	9	9	18.5
1823391596	Ø 5	M5	8	10	9	19.5
1823391597	Ø 4	G 1/8	14	9	15	21
1823391598	Ø 5	G 1/8	14	10	15	22.5
1823391599	Ø 6	G 1/8	14	11	15	23
1823391600	Ø 8	G 1/8	14	13	15	24.5
1823391601	Ø 6	G 1/4	18	11	17	24
1823391602	Ø 8	G 1/4	18	13	17	26
1823391603	Ø 10	G 1/4	18	15	17	27

Part No.	Port D	Port G	Ø B	Ø E	H	L
1823391604	Ø 8	G 3/8	21	13	20	28
1823391605	Ø 10	G 3/8	22	15	20	29
1823391606	Ø 12	G 3/8	22	17	20	30

# Release tool



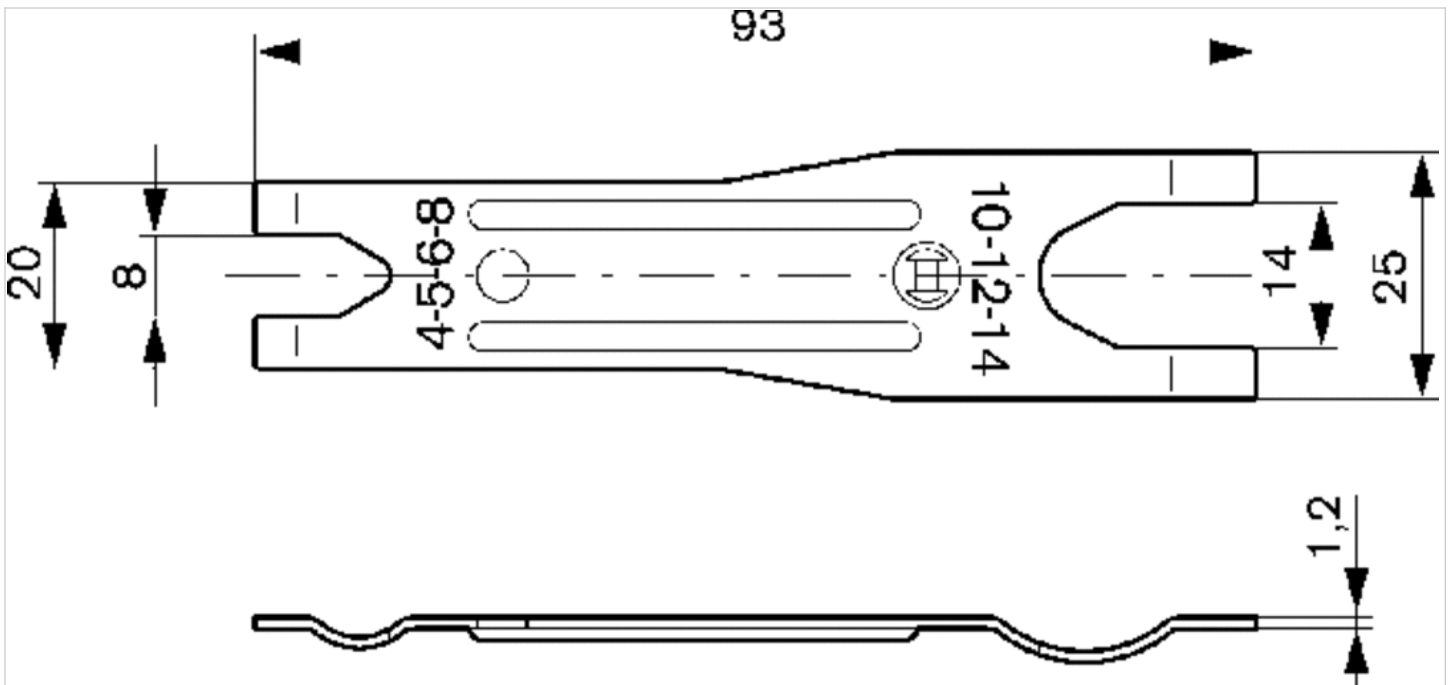
## Technical data

Part No.

1823391651

## Dimensions

### Release tool



# Efficient pneumatic solutions, our program: cylinders and drives, valves and valve systems, air supply management



Visit us: [Emerson.com/Aventics](http://Emerson.com/Aventics)

Your local contact: [Emerson.com/contactus](http://Emerson.com/contactus)



[Emerson.com](http://Emerson.com)



[Facebook.com/EmersonAutomationSolutions](https://Facebook.com/EmersonAutomationSolutions)



[LinkedIn.com/company/Emerson-Automation-Solutions](https://LinkedIn.com/company/Emerson-Automation-Solutions)



[Twitter.com/EMR\\_Automation](https://Twitter.com/EMR_Automation)

An example configuration is depicted on the title page. The delivered product may thus vary from that in the illustration. Subject to change. This Document, as well as the data, specifications and other information set forth in it, are the exclusive property of AVENTICS GmbH. It may not be reproduced or given to third parties without its consent. Only use the AVENTICS products shown in industrial applications. Read the product documentation completely and carefully before using the product. Observe the applicable regulations and laws of the respective country. When integrating the product into applications, note the system manufacturer's specifications for safe use of the product. The data specified only serve to describe the product. No statements concerning a certain condition or suitability for a certain application can be derived from our information. The information given does not release the user from the obligation of own judgment and verification. It must be remembered that the products are subject to a natural process of wear and aging.

The Emerson logo is a trademark and service mark of Emerson Electric Co. Brand logotype are registered trademarks of one of the Emerson family of companies. All other marks are the property of their respective owners. © 2017 Emerson Electric Co. All rights reserved.  
2019-03



## CONSIDER IT SOLVED™



青岛秉诚自动化设备有限公司  
地址：中国·青岛市重庆南路99号海尔云街甲3号楼7F

服务热线：4006-918-365  
网址：<http://www.ivalve.cc>

传真：(86-532)585-10-365  
Email：[sales@bechinas.com](mailto:sales@bechinas.com)