

# ASCO™ Two-Valve Module with 50mm Operators

Nickel-Plated Brass Bodies | Air Pilot Operated | G 3/4"

2/2  
SERIES  
290

## Features

- A single unit consisting of two air operated valves for the temperature control of jacketed tanks/vessels designed as a feed or return flow module
- Inlet/outlet orifice offered in G thread connections
- Pneumatic connection with incorporated 4 x 6 mm instant fitting
- The two-valve module can be mounted in any position without affecting operation
- Optical position indicator on valve operator
- Can be integrated with an intelligent valve manifold system (AVENTICS G3) for higher level of automation and control over the temperature control process



## Construction

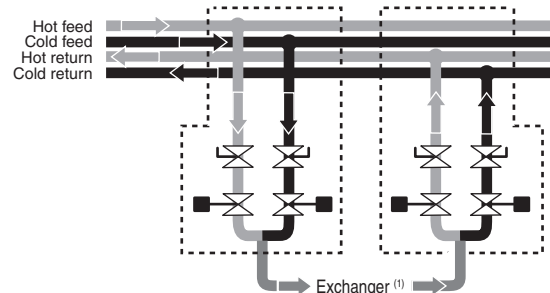
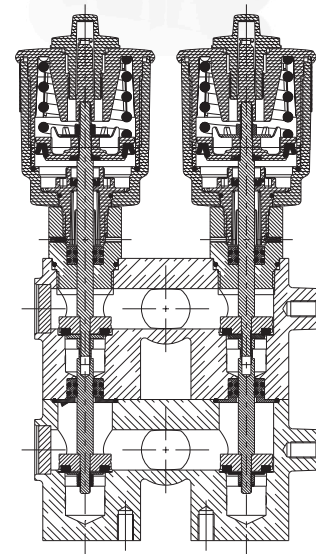
Valve Parts in Contact with Fluids	
Valve Body	Brass, nickel-plated
Stuffing Box Body	Polyamide, glass-fiber filled
Stem	Stainless Steel
Disc	Brass
Stuffing Box Seal	PTFE Chevrons
Disc Seal	PTFE
Other Materials	
Operator	PA, glass-fiber filled
Optical Position Indicator	PA 12

## General Specifications

- Pressure differential:** 0-145 psi (0-10 bar)  
**Maximum allowable pressure:** 232 psi (16 bar)  
**Ambient temperature range:** 14°F to 140°F (-10°C to 60°C)  
**Maximum viscosity:** 2,780 SSU  
**Pilot fluid:** Filtered air  
**Max. pilot pressure:** 145 psi (10 bar)  
**Min. pilot pressure:** See next page  
**Pilot fluid temperature:** 14°F to 140°F (-10°C to 60°C)

Fluids*	Temperature Range	Seal Materials*
Water, Liquids groups 1 & 2	14°F to 140°F (-10°C to 60°C)	PTFE

\* Ensure that the compatibility of the fluids in contact with the materials is verified



(1) Provide for a unit of two valves for the feed loop and the return loop.

## Specifications English units (Metric)

Pipework (ISO 6708)	Cv Flow (Kv = m <sup>3</sup> /h)	Pilot Pressure psi (bar)		Operating Pressure Differential psi (bar)		Operator Diameter mm	Catalog Number (with Visual Position Indicator)
		Min.	Max.	Min.	Max.		
					Water, Liquids		
<b>Normally Closed - Entry Under the Disc</b>							
G 3/4"	5.6 (4.8)	72.5 (5)	145 (10)	0	145 (10)	50	X29050914900100

## Installation

- The valves can be mounted in any position without affecting operation
- Pipe connection identifier is: G = G (ISO 228/1)
- Installation/maintenance instructions are included with each two-valve module

## Dimensions inches (mm)

