

PILOT VALVE BOXES

for explosive atmospheres, zone 22
II 3 D IP65 T85°C to T200°C
2 to 12 valves

FEATURES

- Pilot box intended for use in potentially explosive dusty atmospheres, according to Directive ATEX 2014/34/EU
- Compliance with the Essential Health and Safety Requirements has been assured by European Standards EN 50014, EN 50281-1-1 and EN 13463-1
- Containing 2 to 12 valves, 2/2 normally closed, direct operated
- Common exhaust connection for 1 or 2 (G 3/8") silencers
- Degree of protection: IP65
- Facilities for integrated quick fittings
- The components satisfy all relevant EC directives

GENERAL

Differential pressure (PS) 0 to 8,5 bar [1 bar = 100kPa]
Response times 5 - 25 ms

fluid	temperature range (TS)	seal material
air	-20 to +80°C	NBR (nitrile)

CONSTRUCTION

Base-plate Anodised aluminium
Cover Aluminium
Core tube Brass
Core and plugnut Stainless steel
Spring Stainless steel
Disc NBR
Shading coil Copper
Coil insulation class F
Electrical connection Spades according to DIN 46244

ELECTRICAL CHARACTERISTICS

Standard voltages DC (=) 24V; AC (~) 24V - 115V - 230V/50Hz

coil type	nominal power ratings				ambient temperature range (°C)	protection	replacement coil	
	inrush ~ (VA)	holding ~ (W)		hot/cold = (W)			~ 230 V/50 Hz	= 24 V DC
		(VA)	(W)					
UCM22-FI (1)	20,4	14	10	22	-20 to 85	moulded IP65	400137-697	400137-642

TEMPERATURE CLASSIFICATION TABLES

AC (~) Solenoids

power level (watt)	isolation class	maximum ambient °C surface temperature		
		85°C	100°C	135°C
		10,0	F	40°C

DC (=) Solenoids

power level (watt)	isolation class	maximum ambient °C surface temperature		
		85°C	100°C	135°C
		22,0	F	40°C

SPECIFICATIONS

number of pilot valves	pipe size	orifice size (mm)	flow coefficient Kv (m³/h) (l/min)		operating pressure differential (bar)		catalogue number for ATEX approved boxes (2)		
					min.	maximum (PS)	without heating	1 heating element (3)	2 heating elements (3)
2	1/8	3,6	0,35	5,8	0	8,5	WPSDU G110A020	WPSDU G110A021	-
3							WPSDU G110A030	WPSDU G110A031	-
4							WPSDU G110A040	WPSDU G110A041	-
5							WPSDU G110A050	WPSDU G110A051	-
6							WPSDU G110A060	WPSDU G110A061	-
7	1/8	3,6	0,35	5,8	0	8,5	WPSDU G110A070	WPSDU G110A071	WPSDU G110A072
8							WPSDU G110A080	WPSDU G110A081	WPSDU G110A082
9							WPSDU G110A090	WPSDU G110A091	WPSDU G110A092
10							WPSDU G110A100	WPSDU G110A101	WPSDU G110A102
11							WPSDU G110A110	WPSDU G110A111	WPSDU G110A112
12							WPSDU G110A120	WPSDU G110A121	WPSDU G110A122

(1) Intermittent duty, Relative Duty Time is 10%. Max on time is 1 min.
(3) Heating element(s) 220-240 VDC / VAC 50-60 Hz standard, for other voltages see ordering information. Heating element(s) rating 80 watt each.

(2) Minimum ambient temperature without heating elements: 0°C
Minimum ambient temperature with 1 heating element : -40°C (2 to 6 pilots)
: -15°C (7 to 12 pilots)
Minimum ambient temperature with 2 heating elements : -40°C (7 to 12 pilots)

All leaflets are available on: www.asconumatics.eu

OPTIONS

- Integrated quick fittings for 6 or 8 mm tubes
- Special customer adapted executions

INSTALLATION

- The pilot boxes can be mounted in any position without affecting operation
- Pipe connections are: G 1/8 according to ISO 228 for pilot connection
G 3/8 according to ISO 228 for common exhaust
- Cable entries: control cable on box with 2 - 6 pilot valves : cable Ø 7 - 12 mm
control cable on box with 7 - 12 pilot valves : cable Ø 9 - 16 mm
connection cable heating element : cable Ø 5 - 10 mm
- Installation/maintenance instructions are included with each pilot box
- Spare parts kit and replacement coils are available

SPARE PARTS KITS

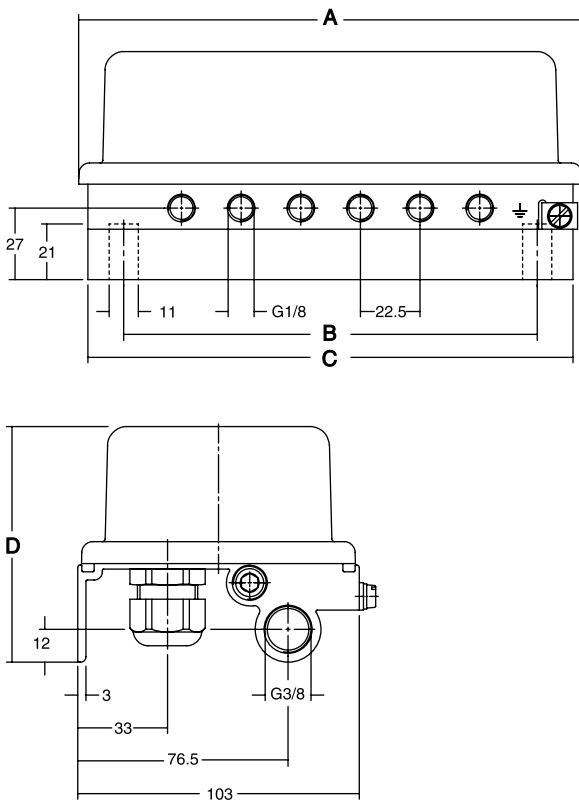
catalogue number	spare parts kit no. ~/=
WPSDUG110A020 up to 120	C127837
WPSDUG110A021 up to 121	
WPSDUG110A072 up to 122	

DIMENSIONS (mm), WEIGHT (kg)



ORDERING INFORMATION

WP S DU G110 A 12 0 230/50



Volts/ Hz

Optional execution

- 0 = no heating element
- 1 = 1 heating element 230V/50Hz
- 2 = 2 heating elements 230V/50Hz
- 3 = 1 heating element 24V DC
- 4 = 2 heating elements 24V DC
- 5 = 1 heating element 115V/50Hz
- 6 = 2 heating elements 115V/50Hz

Number of pilots

- 02 = 2 pilot valves
- 03 = 3 pilot valves etc. (max. 12)

Change letter

Basic number

- G110 = threaded ports
- XG110 = instant-fitting connection for 6 mm tube, +TPL 22779
- XG110 = instant-fitting connection for 8 mm tube, +TPL 22780

Approval according to Directive **ATEX 2014/34/EU**

Electrical connection

spade terminals 6,3 x 0,8

Prefix (optional)

WP: Waterproof IP 65 metal enclosure and cover

number of pilot valves	A	B	C	D	weight ⁽¹⁾
2 to 6	190	156	183	86	1,8 kg
7 to 12	328	266	318	95	3,2 kg

⁽¹⁾ incl. coil and connector