

Tubing connections with collar



AVENTICS™ Tubing connections with collar



Straight fitting, with sealing ring

- M5 G 1/8 G 1/4 G 3/8 G 1/2 G 3/4



Weight

See table below

Technical data

Part No.	Port G	Clearance (LW)	Delivery unit	Weight
1823386006	M5	4 mm	25 piece	0.003 kg
1823386007	G 1/8	4 mm	10 piece	0.006 kg
1823386008	G 1/8	6 mm	10 piece	0.011 kg
1823386009	G 1/8	8 mm	10 piece	0.013 kg
1823386012	G 1/4	4 mm	10 piece	0.018 kg
1823386013	G 1/4	6 mm	10 piece	0.019 kg
1823386014	G 1/4	8 mm	10 piece	0.021 kg
1823386036	G 3/8	6 mm	10 piece	0.031 kg
1823386037	G 3/8	8 mm	10 piece	0.028 kg
1823386038	G 3/8	13 mm	10 piece	0.026 kg
1823386039	G 1/2	8 mm	5 piece	0.048 kg
1823386040	G 1/2	13 mm	5 piece	0.052 kg
1823386041	G 3/4	13 mm	5 piece	0.11 kg
1823386042	G 3/4	19 mm	5 piece	0.135 kg

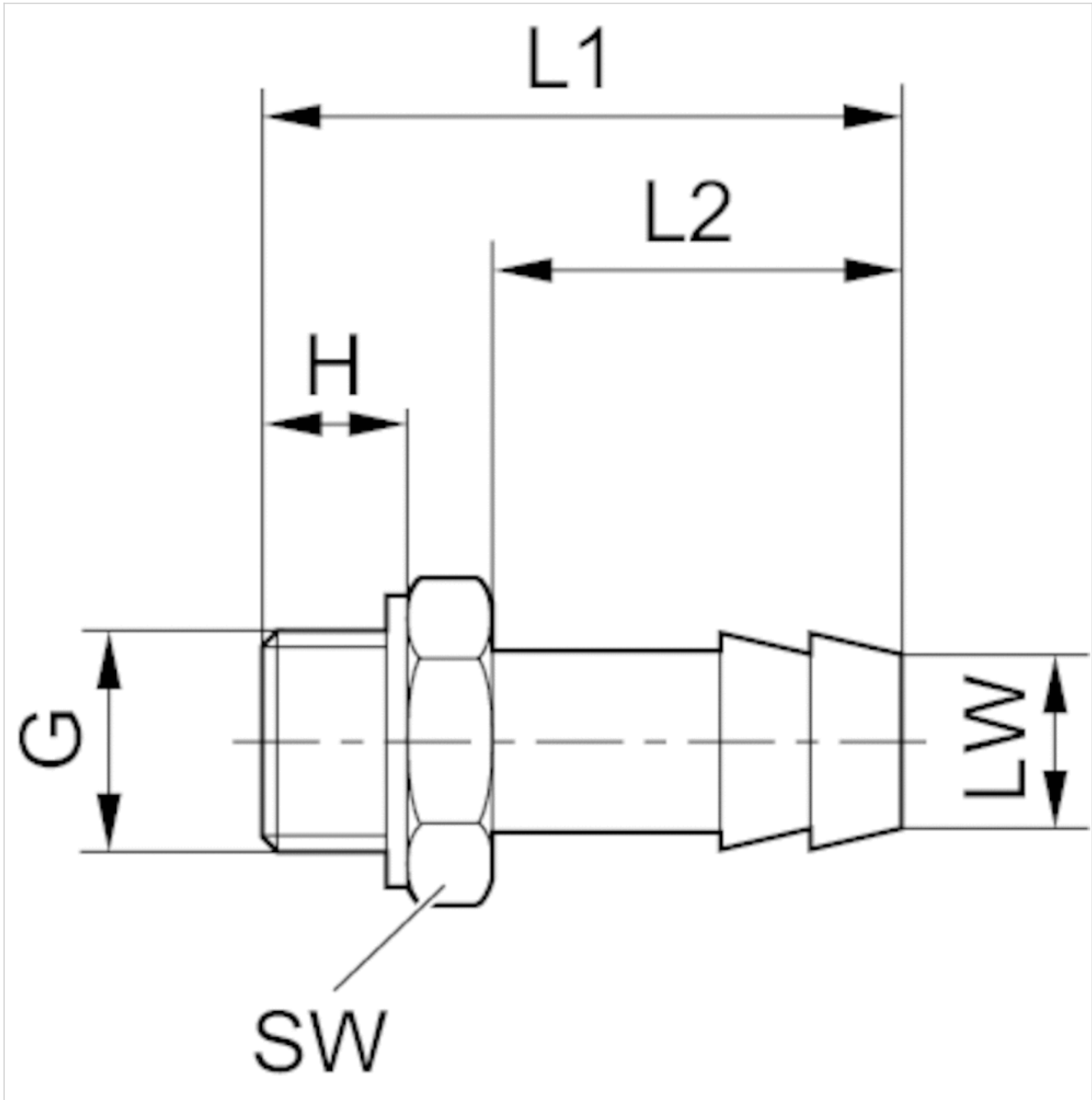
LW = inside diameter of the tubing to be used

Technical information

Material

Material	Brass nickel-plated
----------	---------------------

Dimensions



Dimensions

Part No.	G	LW	H	L1	L2	SW
1823386006	M5	4 mm	5	15.5	7.5	7
1823386007	G 1/8	4 mm	7	28	17	14
1823386008	G 1/8	6 mm	7	33	22	14
1823386009	G 1/8	8 mm	7	33	22	14
1823386012	G 1/4	4 mm	9	30	17	17
1823386013	G 1/4	6 mm	9	35	22	17
1823386014	G 1/4	8 mm	9	35	22	17
1823386036	G 3/8	6 mm	9	36	22	19

Part No.	G	LW	H	L1	L2	SW
1823386037	G 3/8	8 mm	9	36	22	19
1823386038	G 3/8	13 mm	9	42	28	19
1823386039	G 1/2	8 mm	12	40	22	27
1823386040	G 1/2	13 mm	12	46	28	27
1823386041	G 3/4	13 mm	16	52	28	32
1823386042	G 3/4	19 mm	16	60	36	32

Straight fitting, self-sealing



Weight

See table below

Technical data

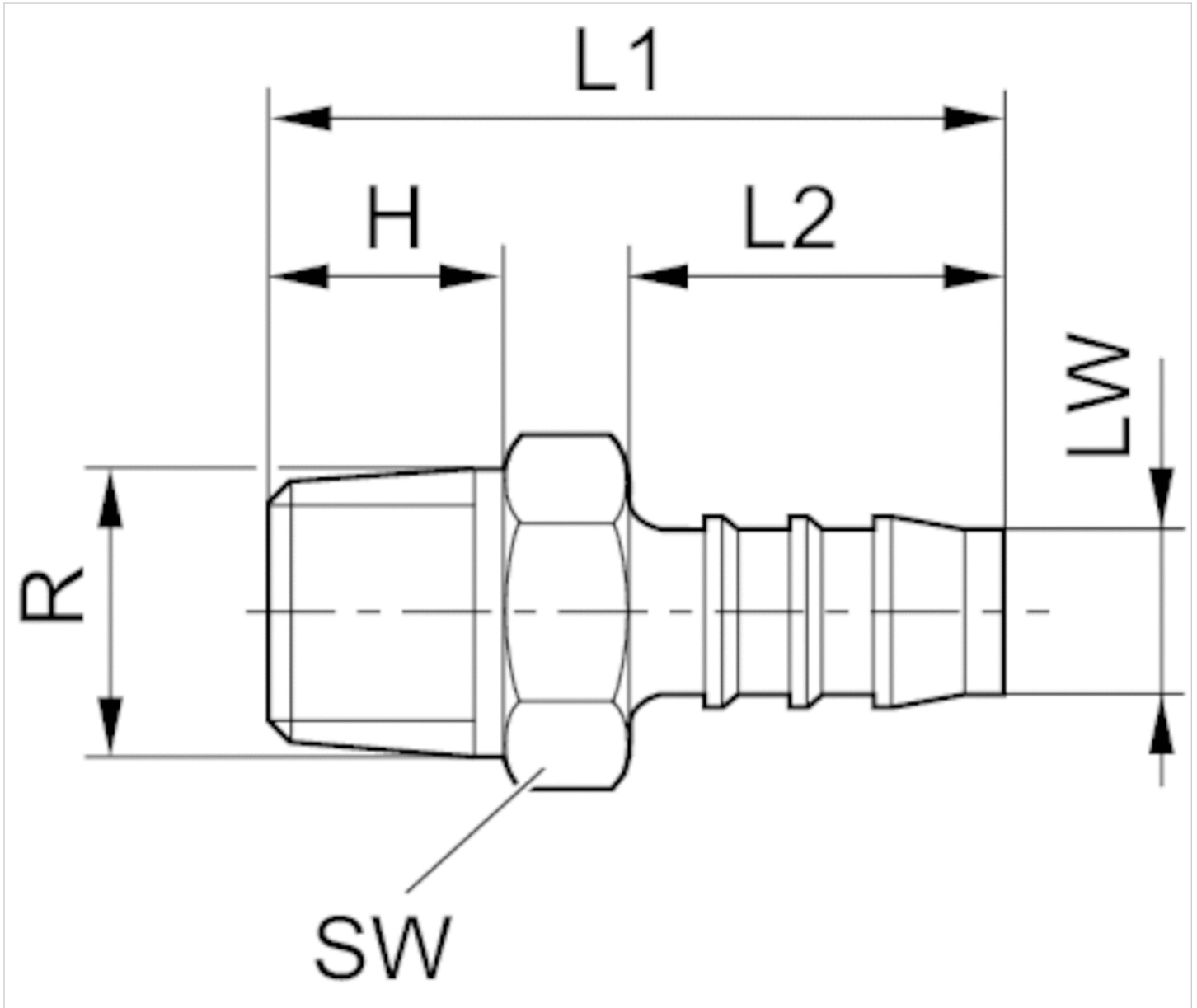
Part No.	Port	Clearance (LW)	Delivery unit	Weight
1823386043	R 1/8	4 mm	25 piece	0.001 kg
1823386044	R 1/8	6 mm	25 piece	0.002 kg
1823386045	R 1/4	6 mm	25 piece	0.003 kg
8931290054	R 1/4	4 mm	10 piece	0.002 kg
1823386000	R 1/4	8 mm	25 piece	0.003 kg
1823386055	R 1/4	10 mm	25 piece	0.003 kg
1823386054	R 3/8	6 mm	10 piece	0.004 kg
1823386001	R 3/8	8 mm	10 piece	0.004 kg
1823386056	R 3/8	10 mm	10 piece	0.005 kg
1823386003	R 3/8	12 mm	10 piece	0.005 kg
1823386002	R 1/2	8 mm	10 piece	0.009 kg
1823386004	R 1/2	13 mm	10 piece	0.01 kg

LW = inside diameter of the tubing to be used

Technical information

Material	
Material	Polyamide

Dimensions



Dimensions

Part No.	Port R	LW	H	L1	L2	SW
1823386043	R 1/8	4 mm	8	27	15	10
1823386044	R 1/8	6 mm	8	33	20	10
1823386045	R 1/4	6 mm	12	38	20	14
8931290054	R 1/4	4 mm	12	39	23	14
1823386000	R 1/4	8 mm	12	41	23	14
1823386055	R 1/4	10 mm	12	43	25	14
1823386054	R 3/8	6 mm	12	39	20	17
1823386001	R 3/8	8 mm	12	44	23	17
1823386056	R 3/8	10 mm	12	43	25	17
1823386003	R 3/8	12 mm	12	48	28	17
1823386002	R 1/2	8 mm	17	49	23	22

Part No.	Port R	LW	H	L1	L2	SW
1823386004	R 1/2	13 mm	17	54	28	22

Elbow fitting, self-sealing



Weight

See table below

Technical data

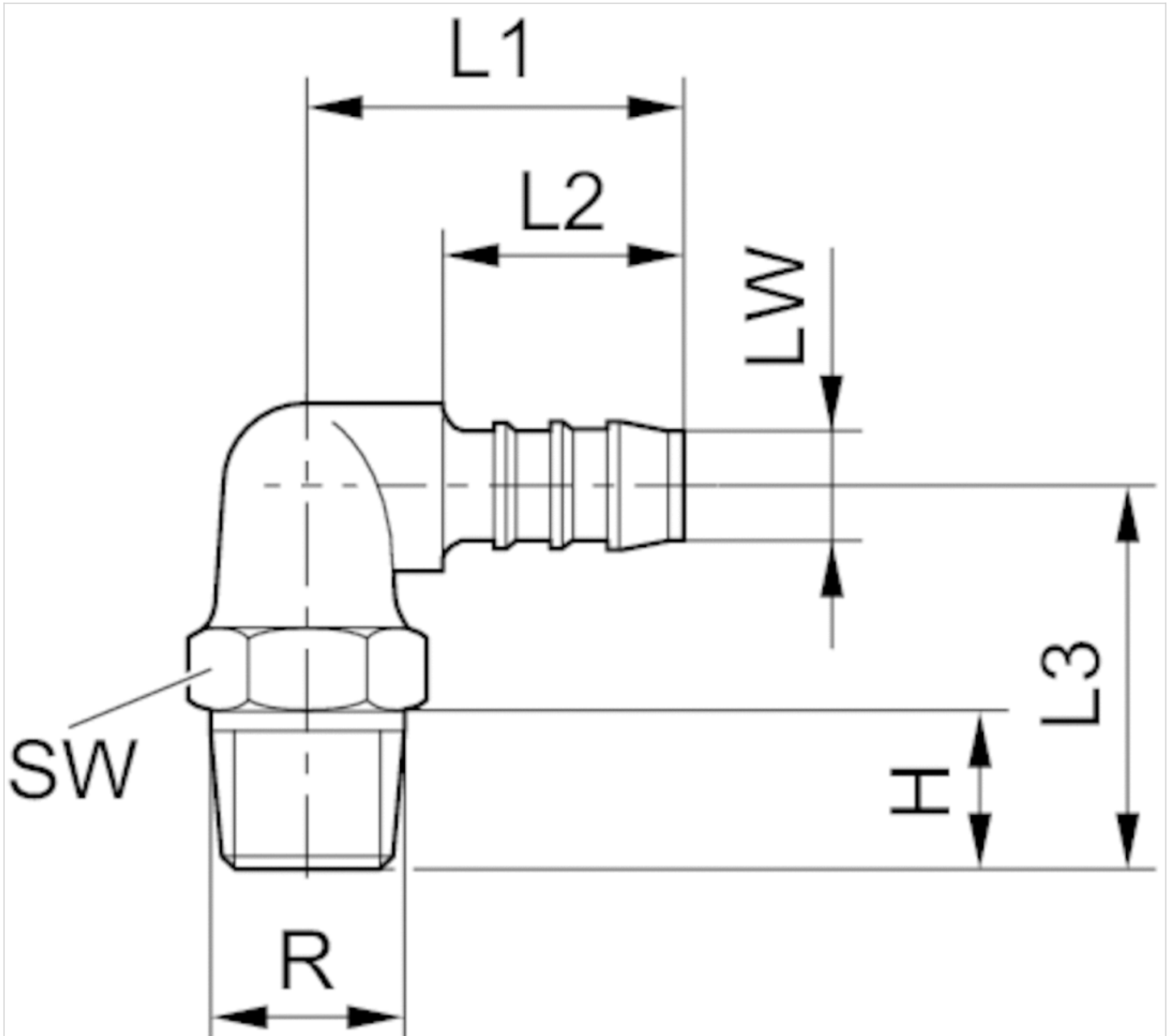
Part No.	Port	Clearance (LW)	Delivery unit	Weight
1823379005	R 1/8	4 mm	25 piece	0.001 kg
1823379006	R 1/8	6 mm	25 piece	0.002 kg
1823379007	R 1/4	6 mm	25 piece	0.003 kg
1823379000	R 1/4	8 mm	25 piece	0.004 kg
1823379009	R 1/4	10 mm	10 piece	0.006 kg
1823379008	R 3/8	6 mm	10 piece	0.008 kg
1823379001	R 3/8	8 mm	10 piece	0.007 kg
1823379010	R 3/8	10 mm	10 piece	0.007 kg
1823379003	R 3/8	13 mm	10 piece	0.009 kg
1823379002	R 1/2	8 mm	10 piece	0.01 kg
1823379004	R 1/2	13 mm	10 piece	0.011 kg

LW = inside diameter of the tubing to be used

Technical information

Material	
Material	Polyamide

Dimensions



Dimensions

Part No.	R	LW	H	L1	L2	L3	SW
1823379005	R 1/8	4 mm	8	21	15	16	10
1823379006	R 1/8	6 mm	8	28	20	21	10
1823379007	R 1/4	6 mm	12	28	20	26	14
1823379000	R 1/4	8 mm	12	33	23	27	14
1823379009	R 1/4	10 mm	12	38	25	30	17
1823379008	R 3/8	6 mm	12	28	20	26	17
1823379001	R 3/8	8 mm	12	36	23	31	17
1823379010	R 3/8	10 mm	12	38	25	31	17
1823379003	R 3/8	13 mm	12	38	28	30	17

Part No.	R	LW	H	L1	L2	L3	SW
1823379002	R 1/2	8 mm	17	36	23	36	22
1823379004	R 1/2	13 mm	17	41	28	36	22

T-union, self-sealing



Weight

See table below

Technical data

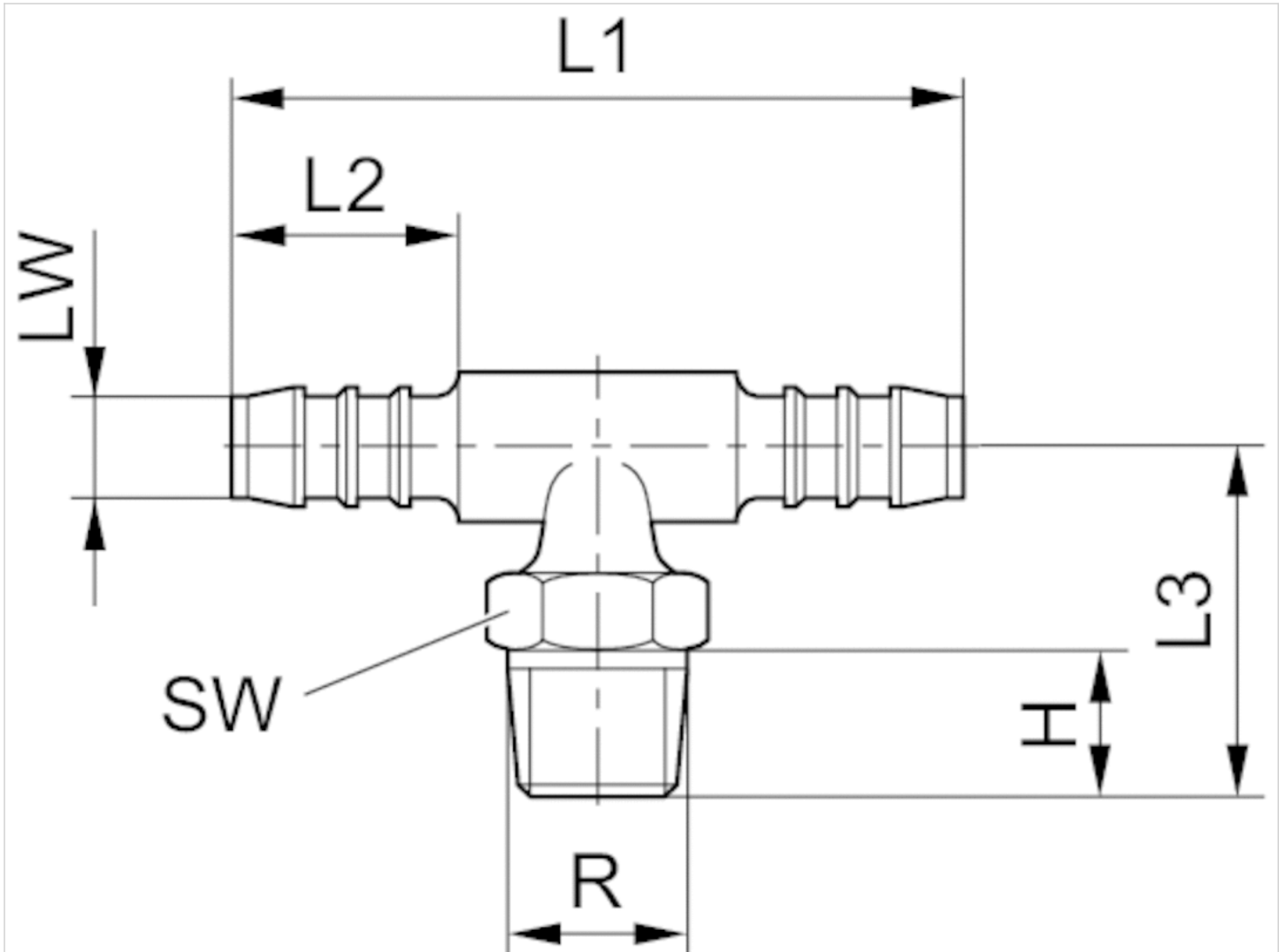
Part No.	Port	Clearance (LW)	Delivery unit	Weight
1823381001	R 1/8	4 mm	25 piece	0.002 kg
1823381002	R 1/8	6 mm	25 piece	0.003 kg
1823381003	R 1/4	6 mm	25 piece	0.004 kg
1823381000	R 1/4	8 mm	25 piece	0.005 kg

LW = inside diameter of the tubing to be used

Technical information

Material	
Material	Polyamide

Dimensions



Dimensions

Part No.	R	LW	H	L1	L2	L3	SW
1823381001	R 1/8	4	8	44	15	18	10
1823381002	R 1/8	6	8	57	20	21	10
1823381003	R 1/4	6	12	57	20	26	14
1823381000	R 1/4	8	12	66	23	28	14

Straight connector, reducing



Weight

See table below

Technical data

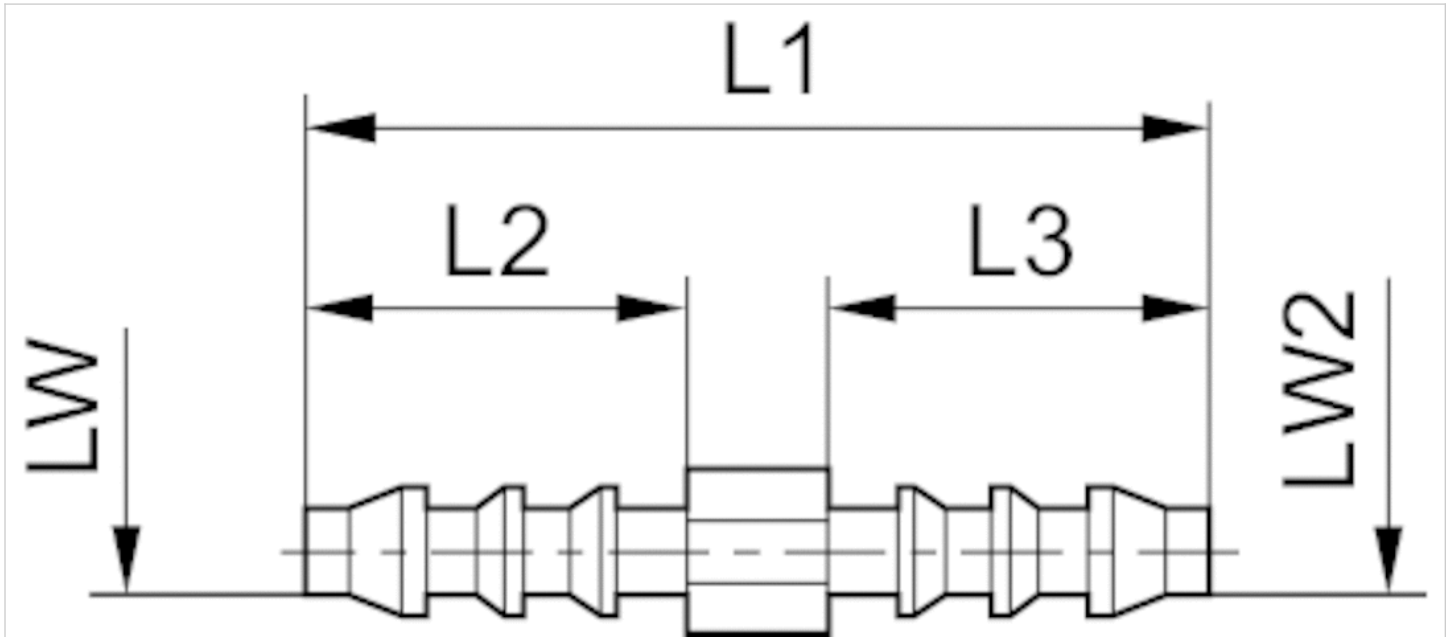
Part No.	Clearance (LW)	Clearance LW2	Delivery unit	Weight
1823386046	3 mm	3 mm	50 piece	0.001 kg
1823386050	4 mm	3 mm	50 piece	0.005 kg
1823386047	4 mm	4 mm	50 piece	0.001 kg
1823386051	6 mm	4 mm	50 piece	0.002 kg
1823386048	6 mm	6 mm	50 piece	0.002 kg
1823386052	8 mm	4 mm	25 piece	0.003 kg
1823386053	8 mm	6 mm	25 piece	0.003 kg
1823386010	8 mm	8 mm	25 piece	0.006 kg
1823386005	8 mm	13 mm	25 piece	0.006 kg
1823386057	10 mm	6 mm	25 piece	0.004 kg
1823386058	10 mm	8 mm	25 piece	0.004 kg
1823386059	10 mm	10 mm	25 piece	0.004 kg
1823386011	12 mm	12 mm	25 piece	0.009 kg
1823386049	19 mm	19 mm	10 piece	0.013 kg

LW = inside diameter of the tubing to be used

Technical information

Material	
Material	Polyoxymethylene

Dimensions



Dimensions

Part No.	LW	LW2	L1	L2	L3
1823386046	3 mm	3 mm	25	10	10
1823386050	4 mm	3 mm	30	15	10
1823386047	4 mm	4 mm	35	14.5	14.5
1823386051	6 mm	4 mm	42.5	20.5	14.5
1823386048	6 mm	6 mm	49	20.5	20.5
1823386052	8 mm	4 mm	48	22.5	15
1823386053	8 mm	6 mm	54	23	20.5
1823386010	8 mm	8 mm	56	22	22
1823386005	8 mm	13 mm	63	27.5	23
1823386057	10 mm	6 mm	56	25	20
1823386058	10 mm	8 mm	60.5	25	22.5
1823386059	10 mm	10 mm	63	25	25
1823386011	12 mm	12 mm	73	27	27
1823386049	19 mm	19 mm	76	32	32

T-connector



Weight

See table below

Technical data

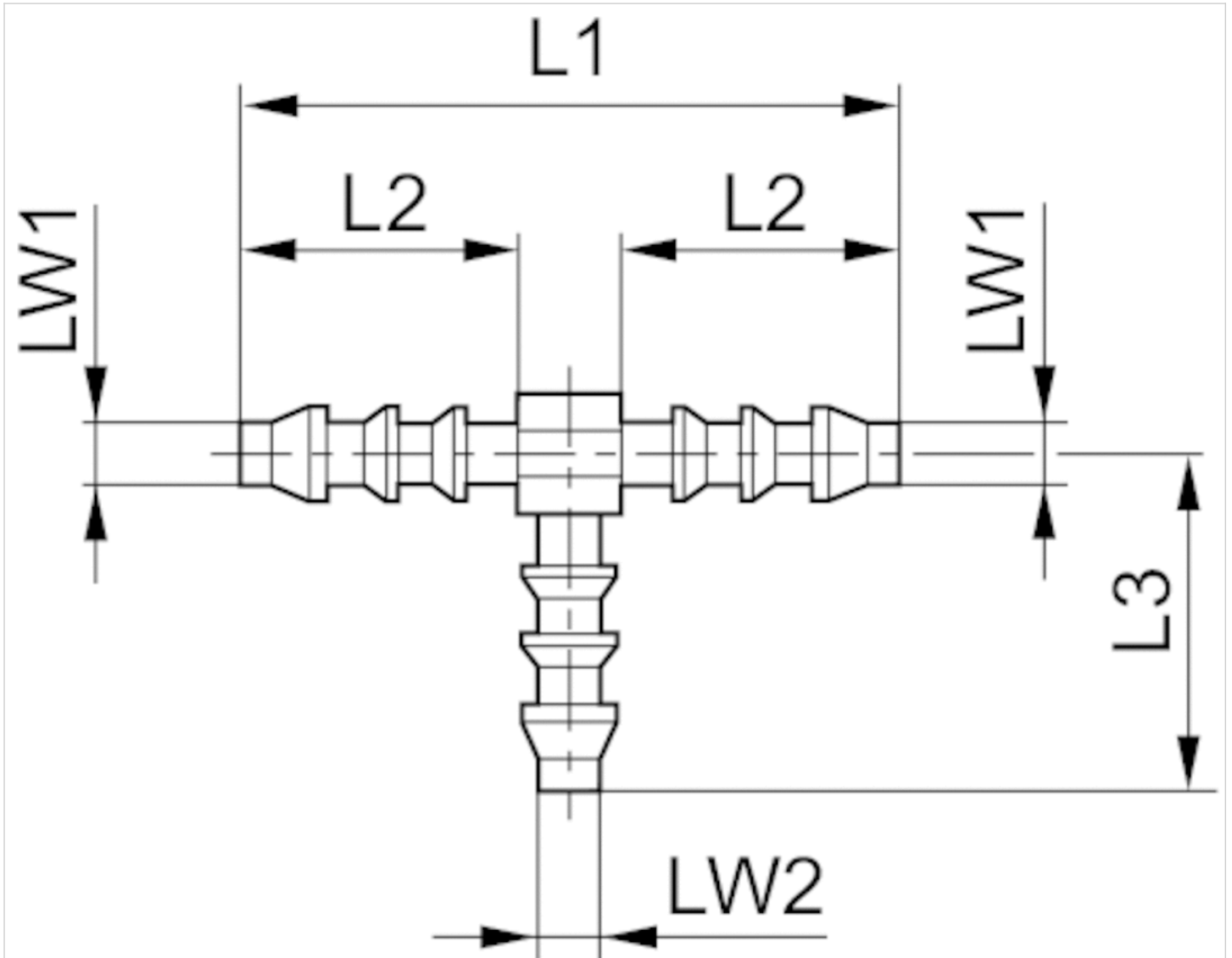
Part No.	Clearance (LW)	Clearance LW2	Delivery unit	Weight
1823381015	3 mm	3 mm	25 piece	0.001 kg
1823381004	4 mm	4 mm	25 piece	0.002 kg
1823381009	4 mm	6 mm	25 piece	0.002 kg
1823381012	6 mm	4 mm	25 piece	0.003 kg
1823381007	6 mm	6 mm	25 piece	0.003 kg
1823381013	8 mm	4 mm	25 piece	0.004 kg
1823381014	8 mm	6 mm	25 piece	0.004 kg
1823381010	8 mm	8 mm	25 piece	0.006 kg
1823381006	8 mm	13 mm	10 piece	0.007 kg
1823381032	10 mm	6 mm	10 piece	0.005 kg
1823381033	10 mm	8 mm	10 piece	0.006 kg
1823381034	10 mm	10 mm	10 piece	0.006 kg
1823381005	13 mm	8 mm	10 piece	0.011 kg
1823381035	13 mm	10 mm	10 piece	0.008 kg
1823381011	13 mm	13 mm	10 piece	0.012 kg
1823381008	19 mm	19 mm	10 piece	0.021 kg

LW = inside diameter of the tubing to be used

Technical information

Material	
Material	Polyoxymethylene

Dimensions



Dimensions

Part No.	LW	LW2	L1	L2	L3
1823381015	3 mm	3 mm	25	10	13
1823381004	4 mm	4 mm	35	14.5	20
1823381009	4 mm	6 mm	35	14.5	24
1823381012	6 mm	4 mm	49	20.5	21
1823381007	6 mm	6 mm	50	20.5	26
1823381013	8 mm	4 mm	56	23	22
1823381014	8 mm	6 mm	56	23	28
1823381010	8 mm	8 mm	58	-	30
1823381006	8 mm	13 mm	58	22.5	36
1823381032	10 mm	6 mm	62	25	31
1823381033	10 mm	8 mm	62	25.5	31
1823381034	10 mm	10 mm	62	25	33
1823381005	13 mm	8 mm	70	-	34

Part No.	LW	LW2	L1	L2	L3
1823381035	13 mm	10 mm	70	-	36
1823381011	13 mm	13 mm	73	-	39
1823381008	19 mm	19 mm	87	-	46

Y-connector



Weight

See table below

Technical data

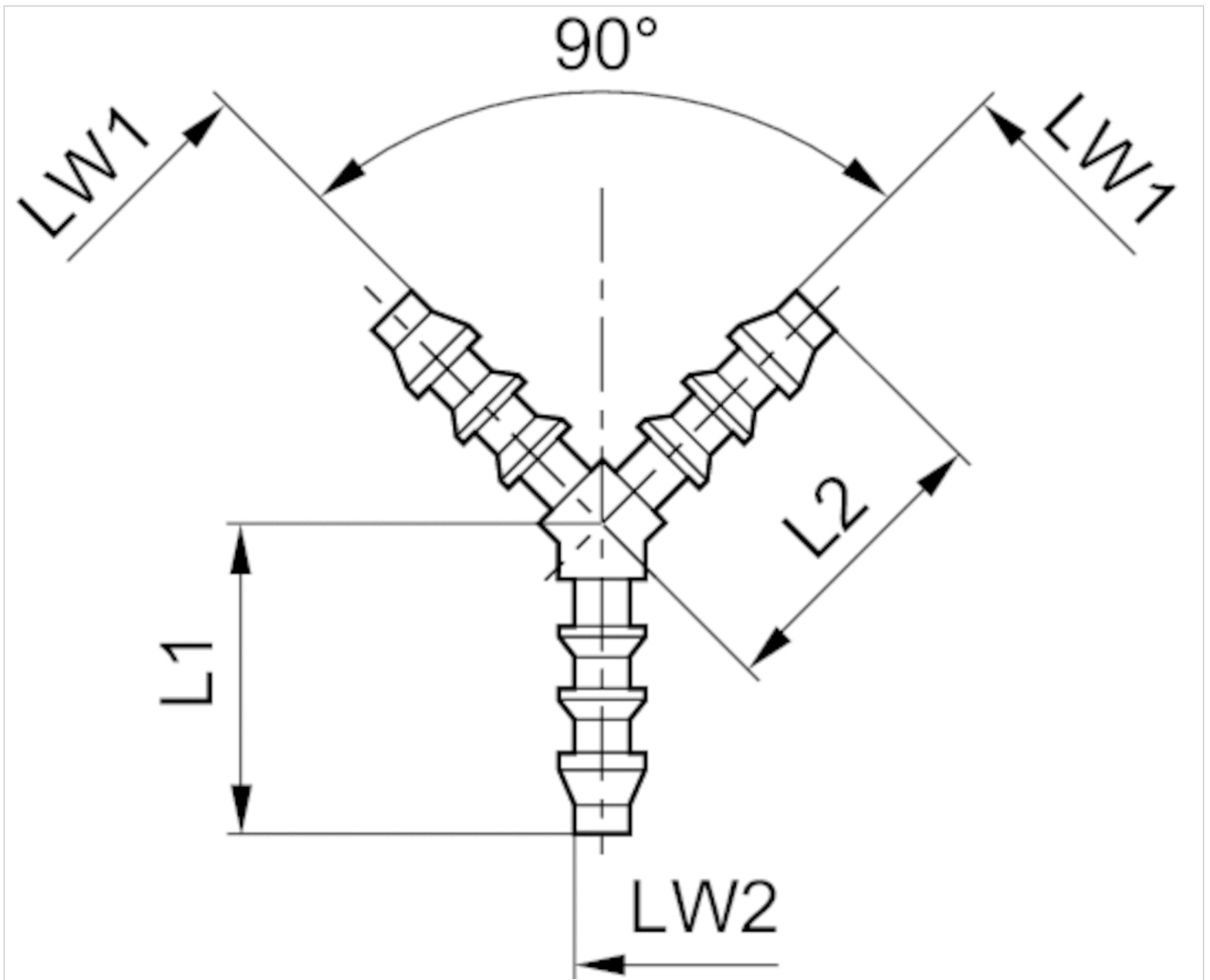
Part No.	Clearance (LW)	Clearance LW2	Delivery unit	Weight
1823381020	3 mm	3 mm	25 piece	0.001 kg
1823381021	4 mm	4 mm	25 piece	0.001 kg
1823381026	4 mm	6 mm	25 piece	0.002 kg
1823381022	6 mm	6 mm	25 piece	0.003 kg
1823381027	6 mm	8 mm	25 piece	0.004 kg
1823381023	8 mm	8 mm	25 piece	0.005 kg
1823381024	13 mm	13 mm	10 piece	0.013 kg
1823381025	19 mm	19 mm	10 piece	0.019 kg

LW = inside diameter of the tubing to be used

Technical information

Material	
Material	Polyoxymethylene

Dimensions



Dimensions

Part No.	LW	LW2	L1	L2
1823381020	3 mm	3 mm	13	13
1823381021	4 mm	4 mm	20	20
1823381026	4 mm	6 mm	20	26
1823381022	6 mm	6 mm	26	26
1823381027	6 mm	8 mm	26	30
1823381023	8 mm	8 mm	30	30
1823381024	13 mm	13 mm	39	39
1823381025	19 mm	19 mm	46	46

X-connector



Weight

See table below

Technical data

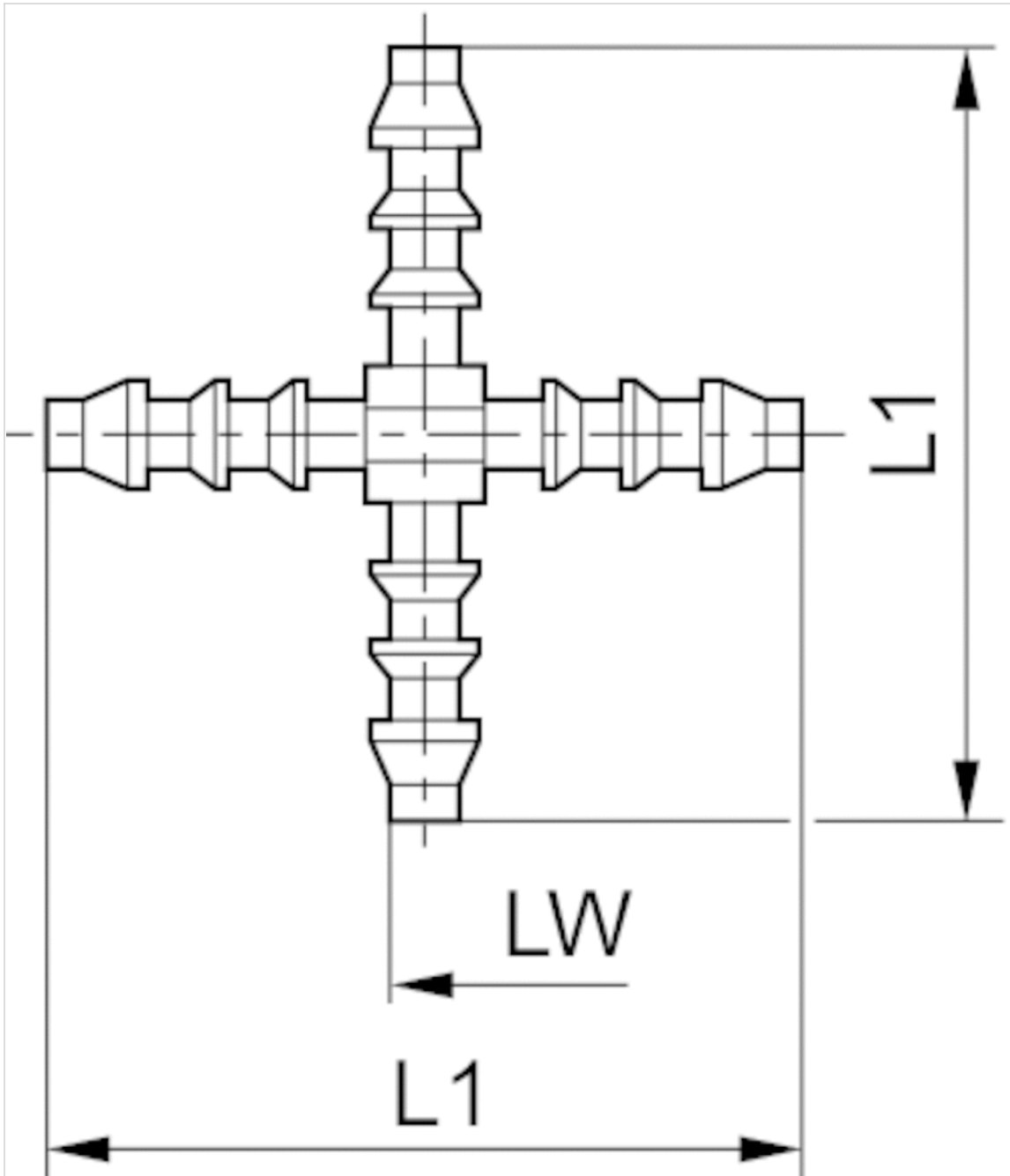
Part No.	Clearance (LW)	Delivery unit	Weight
1823381028	4 mm	25 piece	0.002 kg
1823381029	6 mm	25 piece	0.004 kg

LW = inside diameter of the tubing to be used

Technical information

Material	
Material	Polyoxymethylene

Dimensions



Dimensions

Part No.	LW	L1
1823381028	4 mm	39
1823381029	6 mm	48

Tubing clamp for reinforced plastic tubing, DIN 3017 form A



Weight

See table below

Technical data

Part No.	Type	Clearance (LW)	Delivery unit	Weight
1821310002	Ø 8-12	4 mm	25 piece	0.004 kg
1821310001	Ø 10-16	8 mm	25 piece	0.007 kg
1821310003	Ø 12-20	13 mm	25 piece	0.011 kg
1821310000	Ø 20-32	19 mm	25 piece	0.014 kg

LW = inside diameter of the tubing to be used

Technical information

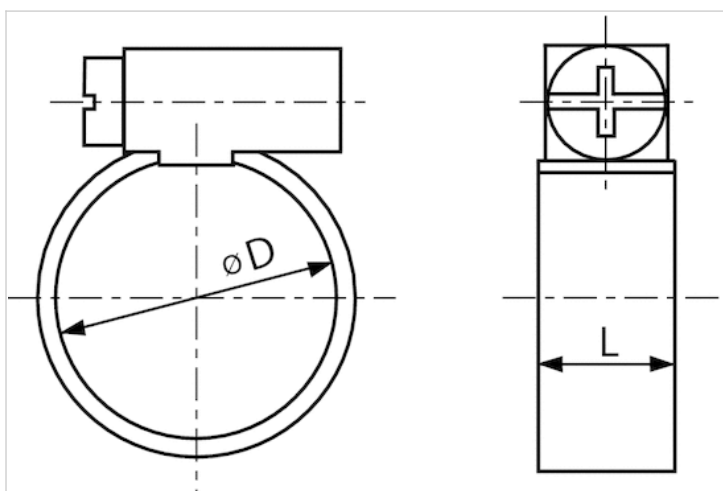
Materials: band and housing made of chrome steel 1.4016, screw made of yellow chromated steel Cq15.
 Category W2: low to medium corrosion resistance requirements, but detachability of corroded connections is ensured.

Technical information

Material	
Material	Stainless steel

Dimensions

Dimensions



Dimensions

Part No.	ØD	L
1821310002	8-12	9
1821310001	10-16	9
1821310003	12-20	9
1821310000	20-32	9

Efficient pneumatic solutions, our program: cylinders and drives, valves and valve systems, air supply management



Visit us: Emerson.com/Aventics

Your local contact: Emerson.com/contactus



Emerson.com



Facebook.com/EmersonAutomationSolutions



LinkedIn.com/company/Emerson-Automation-Solutions



Twitter.com/EMR_Automation

An example configuration is depicted on the title page. The delivered product may thus vary from that in the illustration. Subject to change. This Document, as well as the data, specifications and other information set forth in it, are the exclusive property of AVENTICS GmbH. It may not be reproduced or given to third parties without its consent. Only use the AVENTICS products shown in industrial applications. Read the product documentation completely and carefully before using the product. Observe the applicable regulations and laws of the respective country. When integrating the product into applications, note the system manufacturer's specifications for safe use of the product. The data specified only serve to describe the product. No statements concerning a certain condition or suitability for a certain application can be derived from our information. The information given does not release the user from the obligation of own judgment and verification. It must be remembered that the products are subject to a natural process of wear and aging.

The Emerson logo is a trademark and service mark of Emerson Electric Co. Brand logotype are registered trademarks of one of the Emerson family of companies. All other marks are the property of their respective owners. © 2017 Emerson Electric Co. All rights reserved. 2019-03



CONSIDER IT SOLVED™



青岛秉诚自动化设备有限公司
地址：中国·青岛市重庆南路99号海尔云街甲3号楼7F

服务热线：4006-918-365
网址：<http://www.ivalve.cc>

传真：(86-532)585-10-365
Email：sales@bechinas.com