

Valve plug connector, series CON-VP



AVENTICS™ Valve plug connector, series CON-VP



Valve plug connector, series CON-VP

- Socket, 2+E, angled, 90° Socket, 3+E, angled, 90°
- EN 175301-803
- unshielded
- with LED Yellow Red Green green/red



Connection type	Screws
Ambient temperature min./max.	-40 ... 90 °C
Operational voltage	See table below
Protection class	IP65
Mounting screw tightening torque	0.4 Nm
Weight	See table below

Technical data

Part No.	Electrical connection	Operational voltage	Max. current
1834484048	Socket 2+E angled 90°	-	10 A
1834484059	Socket 3+E angled 90°	-	10 A
1834484101	Socket 2+E angled 90°	24 V AC/DC	-
1834484102	Socket 2+E angled 90°	110 V AC	-
1834484103	Socket 2+E angled 90°	230 V AC	-
8941016112	Socket 2+E angled 90°	230 V AC	-
8941012462	Socket 3+E angled 90°	24 V DC	8 A

Part No.	Protective circuit	Contact assignment	LED status display	suitable cable-Ø min./max
1834484048	-	2+E	-	6 / 8 mm
1834484059	-	3+E	-	6 / 8 mm
1834484101	Z-diode	2+E	Yellow	6 / 8 mm
1834484102	Varistor	2+E	Red	6 / 8 mm
1834484103	Varistor	2+E	Red	6 / 8 mm
8941016112	Varistor	2+E	Green	6 / 10 mm
8941012462	-	3+E	green/red	4.5 / 11 mm

Part No.	Seal	Weight
1834484048	caoutchouc/butadiene caoutchouc	0.03 kg 1)
1834484059	caoutchouc/butadiene caoutchouc	0.03 kg 1)
1834484101	Silicone caoutchouc	0.03 kg 2)
1834484102	caoutchouc/butadiene caoutchouc	0.03 kg 1)
1834484103	Silicone caoutchouc	0.025 kg 1)
8941016112	caoutchouc/butadiene caoutchouc	0.03 kg 1)
8941012462	caoutchouc/butadiene caoutchouc	0.03 kg 2)

- 1) Profile seal
- 2) Flat gasket

Technical information

The specified protection class is only valid in assembled and tested state.

Technical information

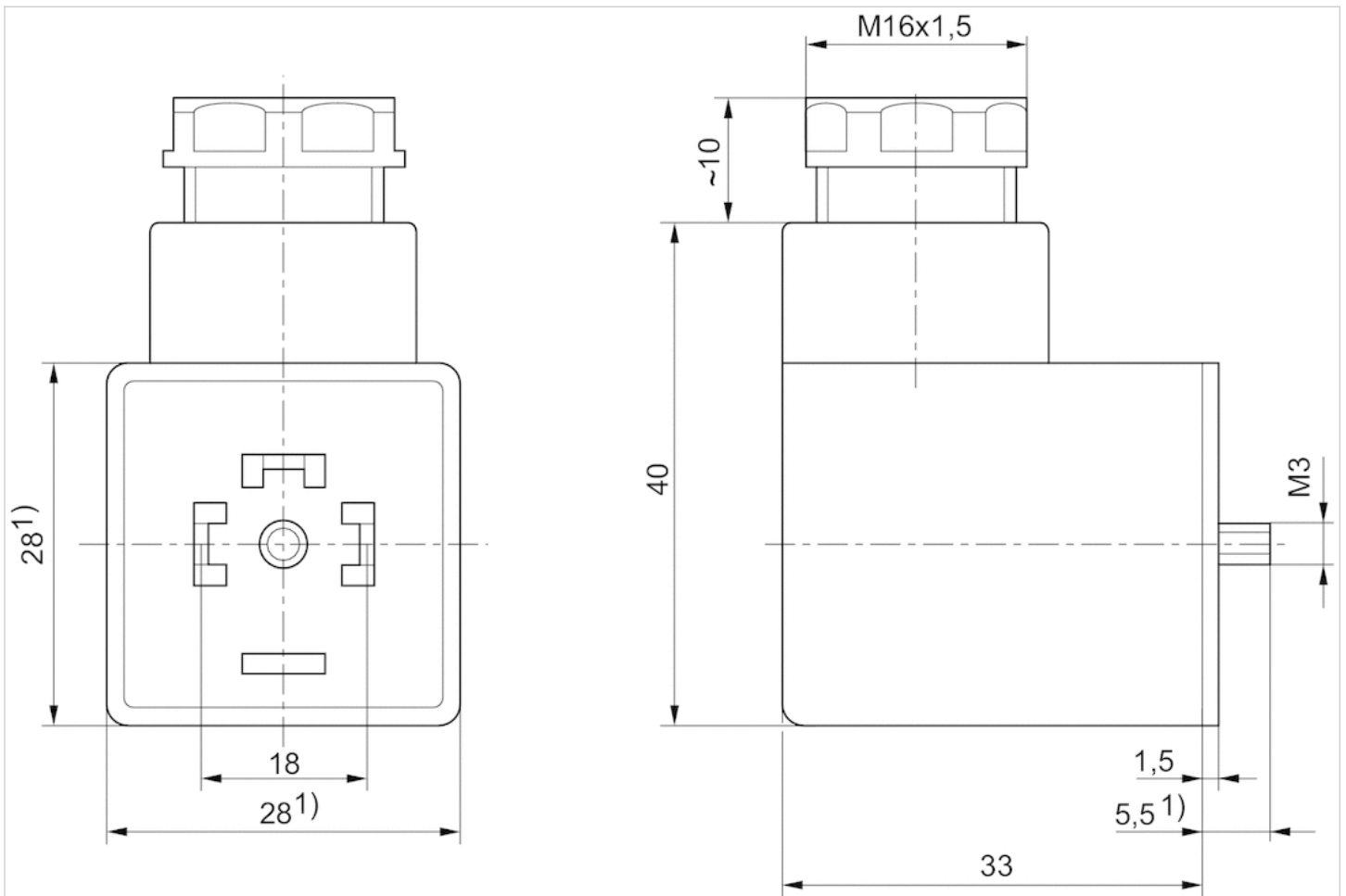
Material

Seals

caoutchouc/butadiene caoutchouc Silicone caoutchouc

Dimensions

Dimensions



1) Max.

Valve plug connector, series CON-VP

- Socket, form B, 2+E, angled, 90°
- ISO 6952
- unshielded
- with LED Yellow Red, Red



Connection type	Screws
Ambient temperature min./max.	-25 ... 50 °C
Operational voltage	See table below
Protection class	IP65
Mounting screw tightening torque	0.4 Nm
Weight	0.02 kg

Technical data

Part No.		Operational voltage	Max. current	Protective circuit	Contact assignment
1834484096		-	10 A	-	2+E
1834484104		24 V AC/DC	-	Z-diode	2+E
1834484105		110 V AC	-	Varistor	2+E
1834484106		230 V AC	-	Varistor	2+E

Part No.	LED status display	suitable cable-Ø min./max	Seal	Fig.
1834484096	-	5 / 8 mm	caoutchouc/butadiene caoutchouc	Fig. 1
1834484104	Yellow	6 / 8 mm	Silicone caoutchouc	Fig. 2
1834484105	Red, Red	6 / 8 mm	Silicone caoutchouc	Fig. 2
1834484106	Red, Red	6 / 8 mm	Silicone caoutchouc	Fig. 2

Profile seal, Flat gasket

Technical information

The specified protection class is only valid in assembled and tested state.

Technical information

Material	
Seals	caoutchouc/butadiene caoutchouc Silicone caoutchouc

Dimensions

Fig. 1

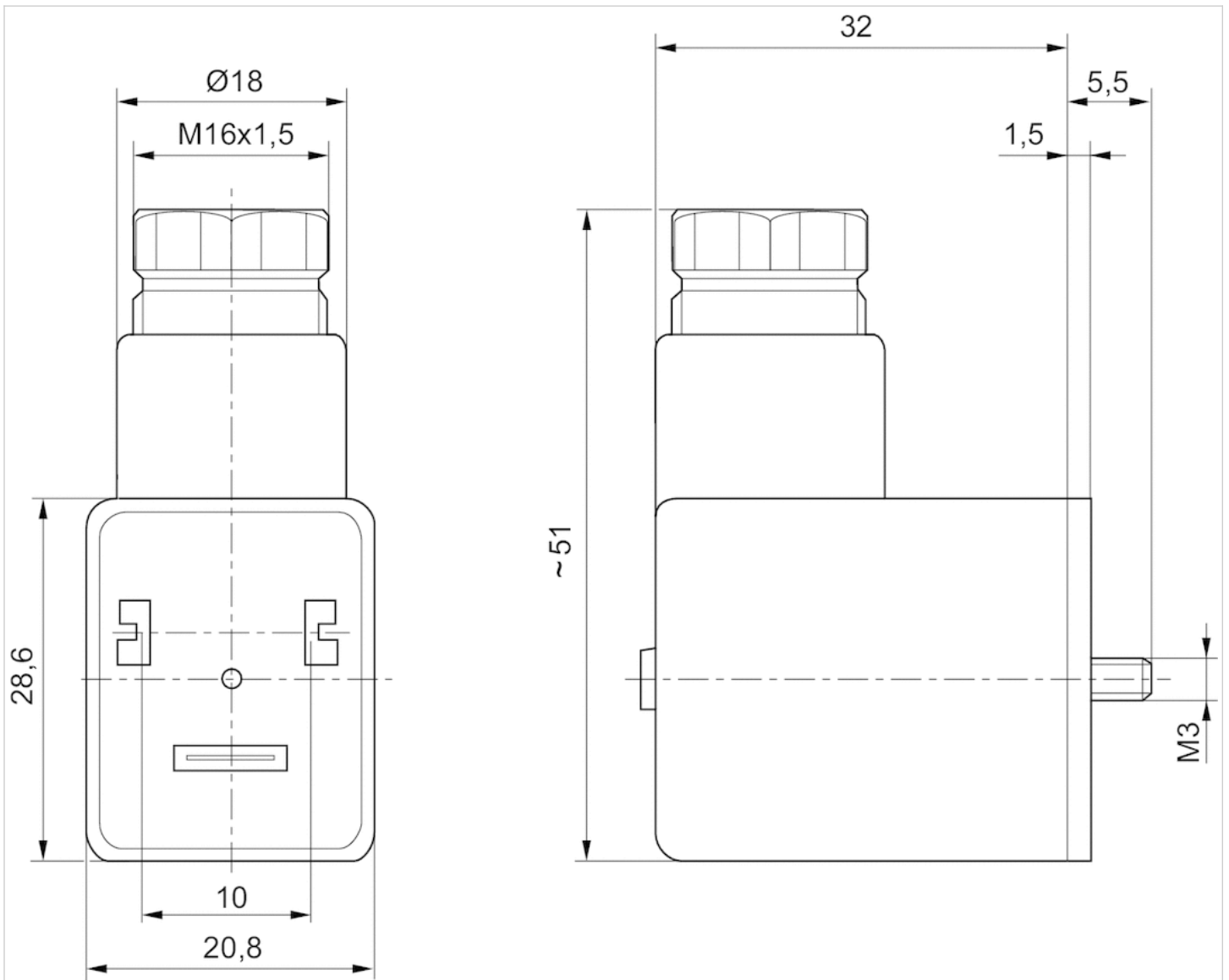
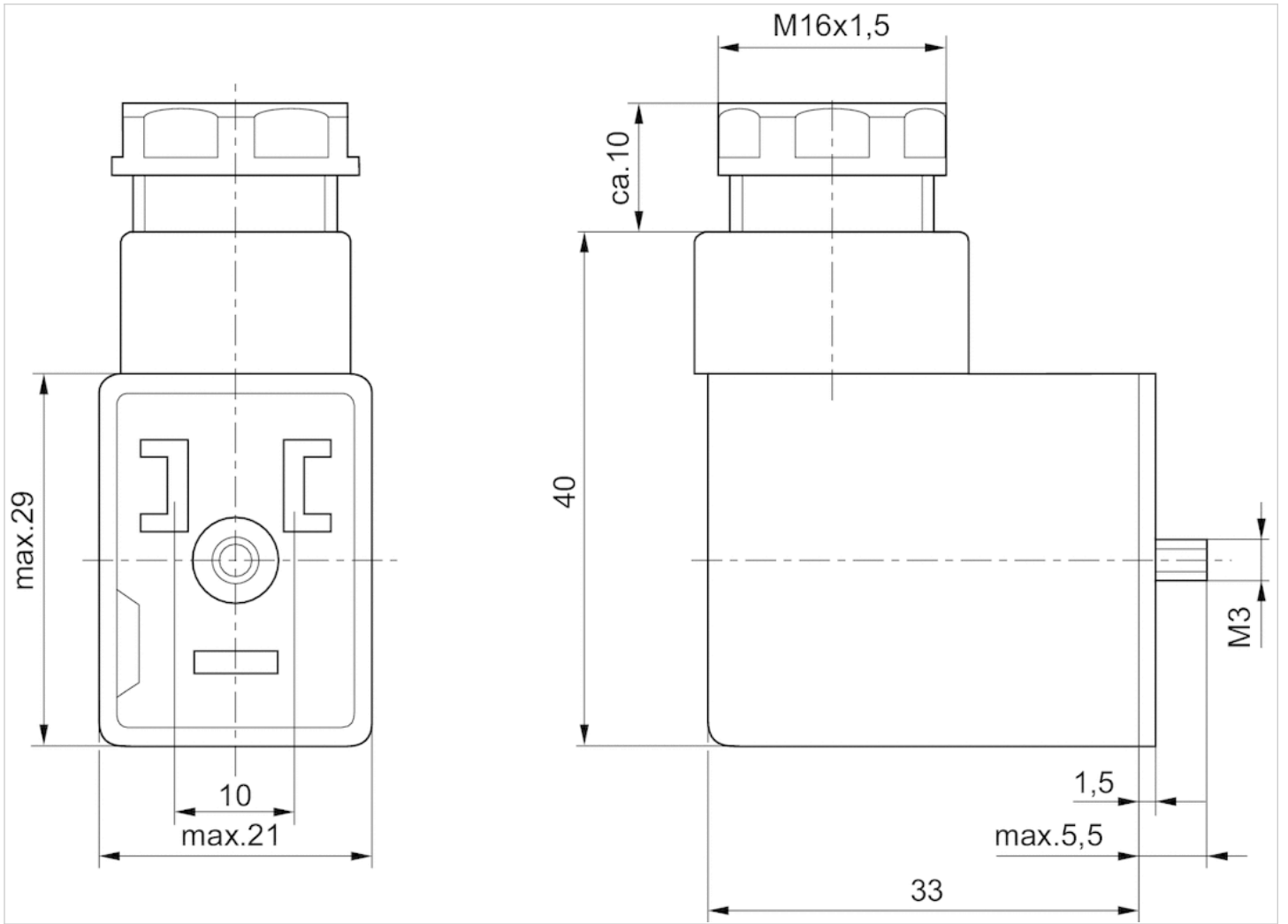


Fig. 2



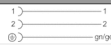



Valve plug connector, series CON-VP

- Socket, Form B, industry, 2+E, angled, 90°
- Industry standard
- unshielded
- with LED Yellow Red



Connection type	Screws
Ambient temperature min./max.	-25 ... 50 °C
Operational voltage	See table below
Protection class	IP65
Mounting screw tightening torque	0.4 Nm
Weight	0.02 kg

Technical data

Part No.		Operational voltage	Max. current	Protective circuit	Contact assignment
1834484051		-	10 A	-	2+E
1834484107		24 V AC/DC	-	Z-diode	2+E
1834484108		110 V AC	-	Varistor	2+E
1834484109		230 V AC	-	Varistor	2+E

Part No.	LED status display	suitable cable-Ø min./max	Seal	Fig.	
1834484051	-	4 / 8 mm	caoutchouc/butadiene caoutchouc	Fig. 1	1)
1834484107	Yellow	6 / 8 mm	Silicone caoutchouc	Fig. 2	2)
1834484108	Red	6 / 8 mm	Silicone caoutchouc	Fig. 2	1)
1834484109	Red	4 / 8 mm	Silicone caoutchouc	Fig. 2	2)

1) Profile seal

2) Flat gasket,

Technical information

For security reasons, the valve plug connector must be plugged properly and centrally.
The specified protection class is only valid in assembled and tested state.

Technical information

Material	
Seals	caoutchouc/butadiene caoutchouc Silicone caoutchouc

Dimensions

Fig. 1

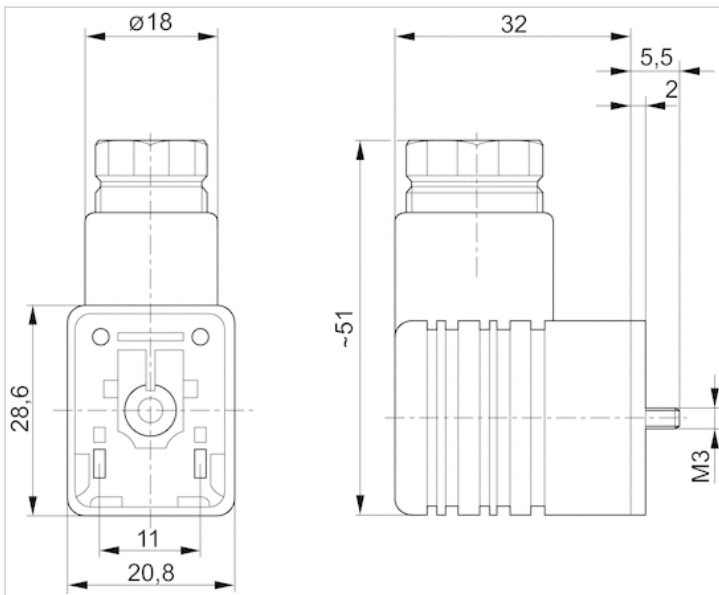
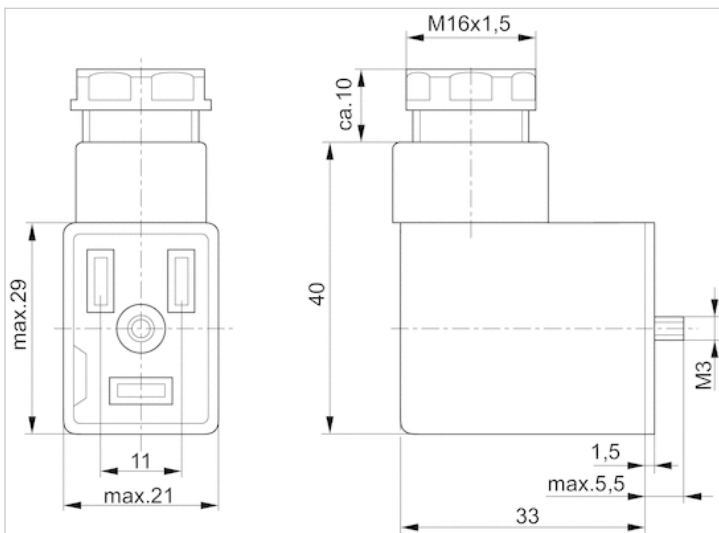


Fig. 2



Valve plug connector, series CON-VP

- Socket, form C, 2+E, angled, 90°
- ISO 15217
- unshielded
- with LED Green



Connection type	Screws
Ambient temperature min./max.	-40 ... 90 °C
Operational voltage	See table below
Protection class	IP65
Mounting screw tightening torque	0.4 Nm
Weight	See table below

Technical data

Part No.		Operational voltage	Max. current	Protective circuit	Contact assignment
1834484187		250 / 300 V AC/DC	6 A	-	2+E
8941012202		250 / 300 V AC/DC	6 A	-	2+E
4402050330		24 V AC/DC	-	Z-diode	2+E

Part No.	LED status display	suitable cable-Ø min./max	Seal	Weight
1834484187	-	4 / 8 mm	caoutchouc/butadiene caoutchouc	0.012 kg
8941012202	-	4 / 8 mm	-	0.012 kg
4402050330	Green	-	-	0.014 kg

Part No.	Fig.	
1834484187	Fig. 1	-
8941012202	Fig. 2	-
4402050330	Fig. 3	1)

1)

Technical information

The specified protection class is only valid in assembled and tested state.

Technical information

Material

Seals

caoutchouc/butadiene caoutchouc

Dimensions

Fig. 1

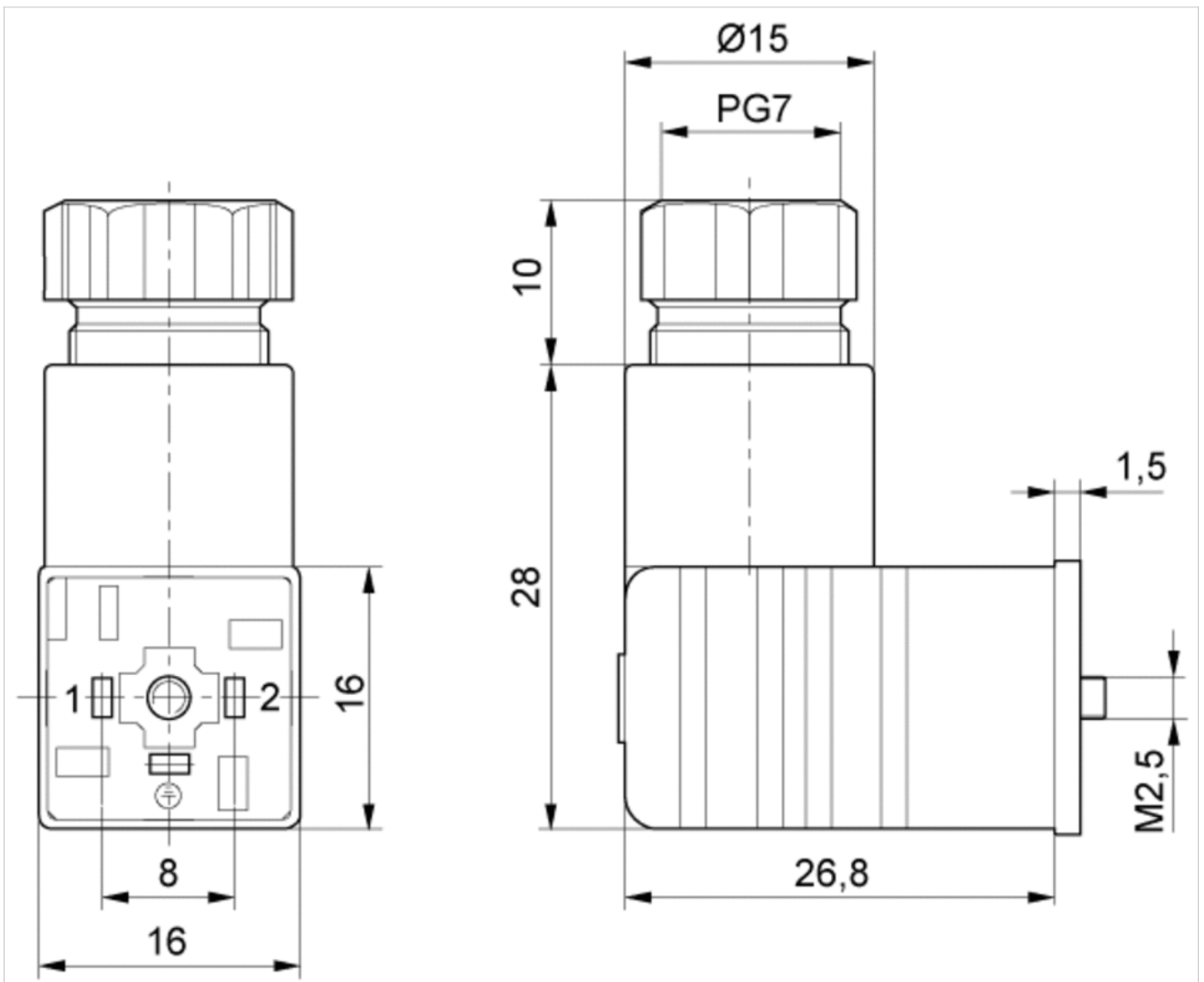


Fig. 2

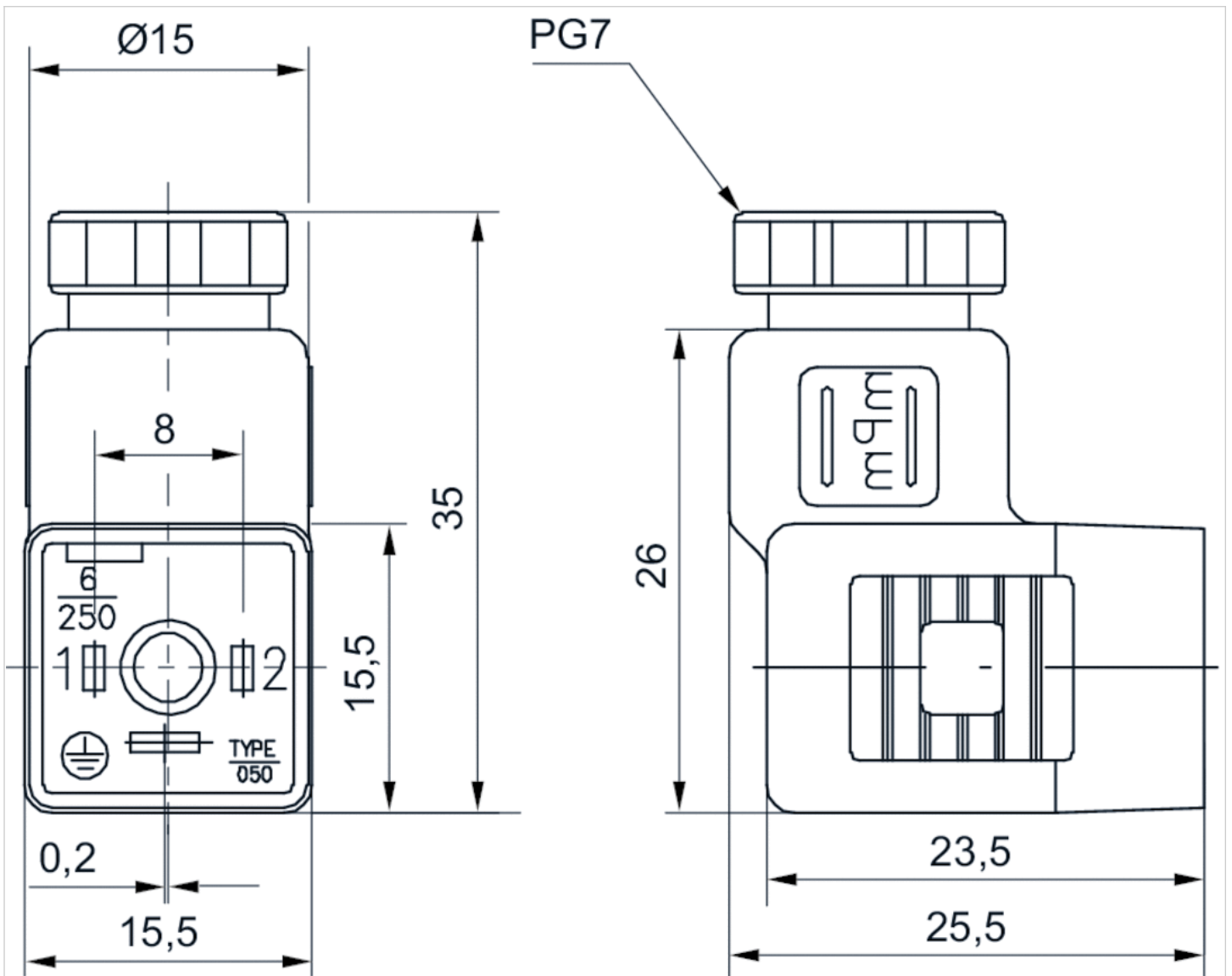
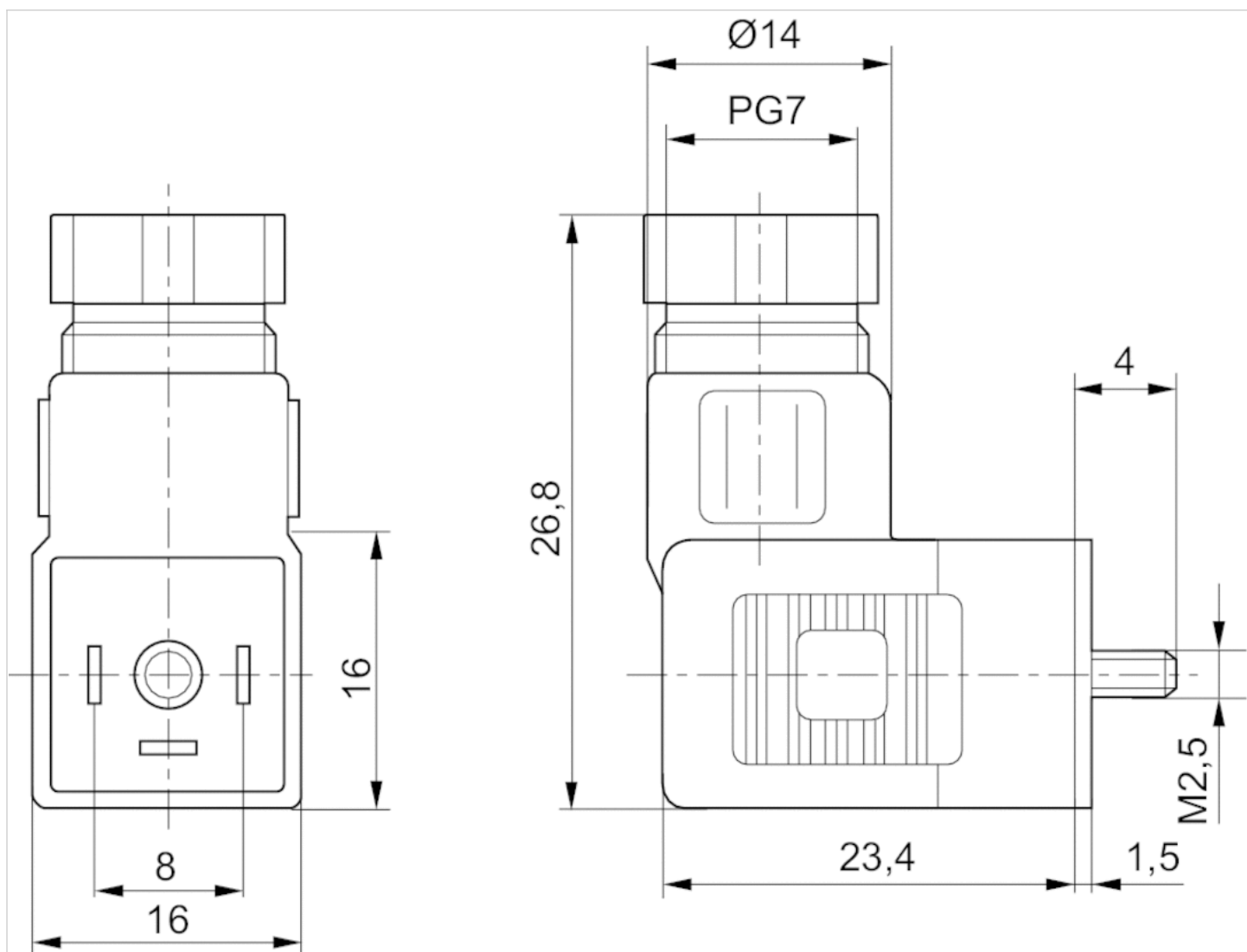


Fig. 3



Valve plug connector, series CON-VP

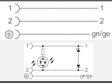
- Socket, 2+E, angled, 90° Socket, form C, industry, 2+E, angled, 90°
- Industry standard
- unshielded
- with LED Yellow



Connection type	Screws
Ambient temperature min./max.	-20 ... 80 °C
Operational voltage	See table below
Protection class	IP65
Mounting screw tightening torque	0.4 Nm
Weight	See table below

Technical data

Part No.	Electrical connection
1834484050	Socket 2+E angled 90°
4402030330	Socket form C, industry 2+E angled 90°



Part No.	Operational voltage	Max. current	Protective circuit	Contact assignment	LED status display
1834484050	-	6 A	-	2+E	-
4402030330	24 V AC/DC	6 A	Z-diode	2+E	Yellow

Part No.	suitable cable-Ø min./max	Seal	Weight	Fig.	
1834484050	4 / 6 mm	caoutchouc/butadiene caoutchouc	0.12 kg	Fig. 1	1)
4402030330	4 / 6 mm	-	0.012 kg	Fig. 2	-

1) Scope of delivery incl. flat gasket

Technical information

The specified protection class is only valid in assembled and tested state.

Technical information

Material	
Seals	caoutchouc/butadiene caoutchouc

Dimensions

Fig. 1

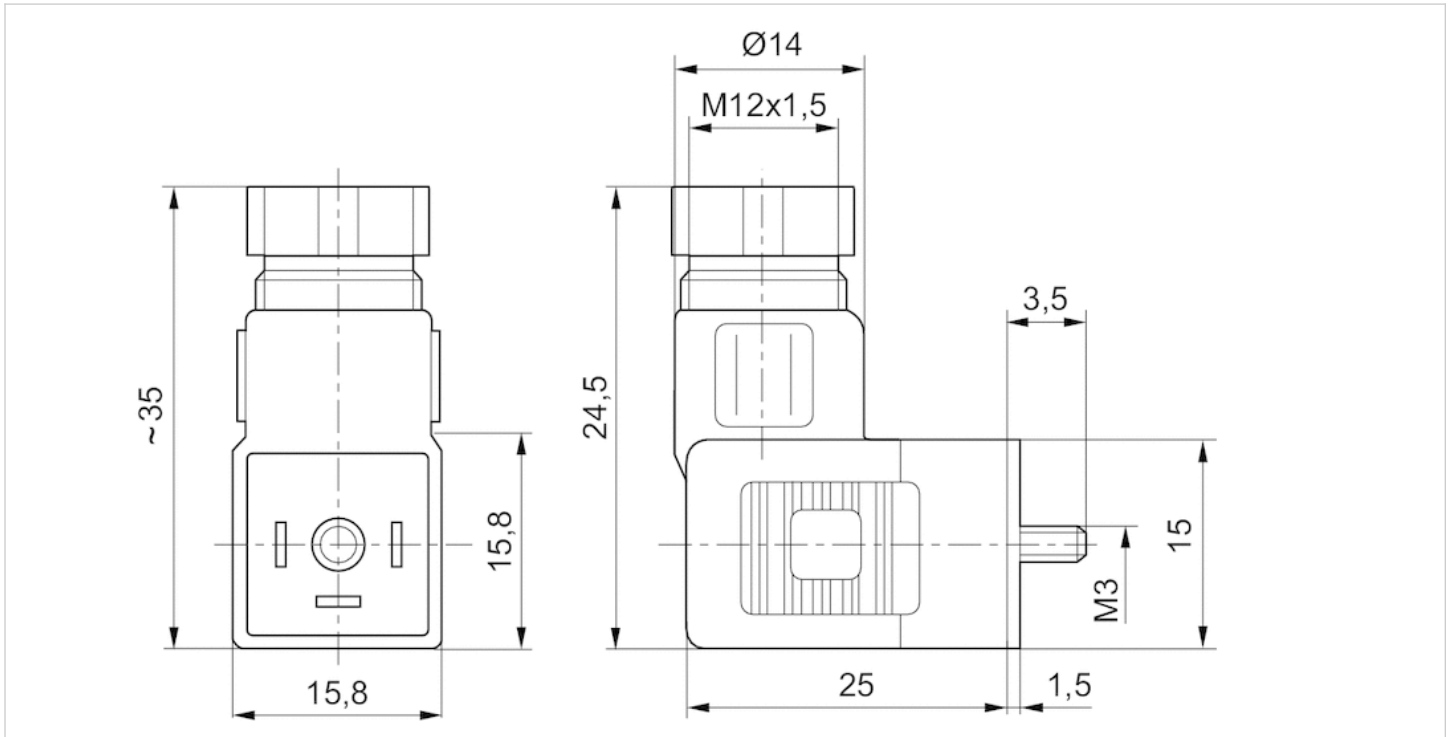
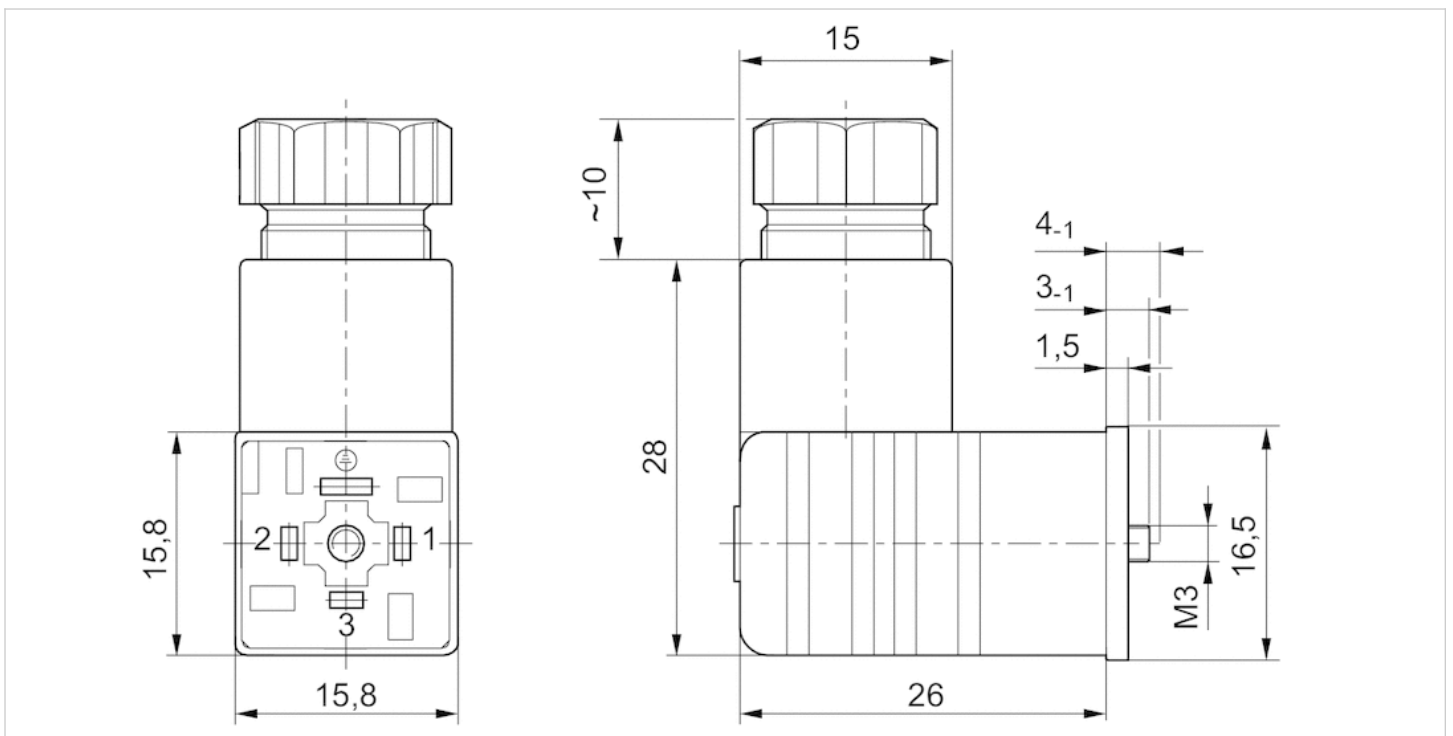


Fig. 2

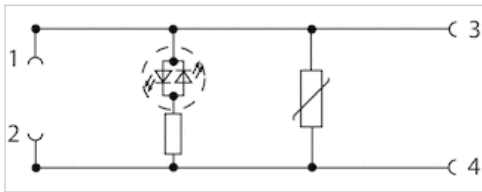


Adapter, Series CON-VP

- Socket, form C, 2+E, angled, 90°
- Plug, M12x1, 3-pin, A-coded, straight, 180°
- unshielded
- with LED Yellow



Ambient temperature min./max.	-10 ... 0 °C
Operational voltage	24 V DC
Protection class	IP65
Protective circuit	Varistor
Mounting screw tightening torque	0.6 Nm
Weight	0.013 kg



Technical data

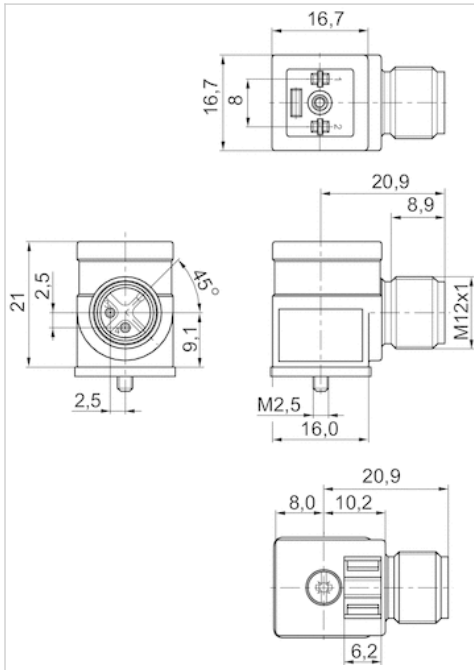
Part No.	Max. current	Protective circuit	Contact assignment	LED status display
R412009553	1 A	Varistor	2+E	Yellow

Technical information

Material	
Housing	Polyurethane

Dimensions

Dimensions



Efficient pneumatic solutions, our program: cylinders and drives, valves and valve systems, air supply management



Visit us: Emerson.com/Aventics

Your local contact: Emerson.com/contactus



Emerson.com



Facebook.com/EmersonAutomationSolutions



LinkedIn.com/company/Emerson-Automation-Solutions



Twitter.com/EMR_Automation

An example configuration is depicted on the title page. The delivered product may thus vary from that in the illustration. Subject to change. This Document, as well as the data, specifications and other information set forth in it, are the exclusive property of AVENTICS GmbH. It may not be reproduced or given to third parties without its consent. Only use the AVENTICS products shown in industrial applications. Read the product documentation completely and carefully before using the product. Observe the applicable regulations and laws of the respective country. When integrating the product into applications, note the system manufacturer's specifications for safe use of the product. The data specified only serve to describe the product. No statements concerning a certain condition or suitability for a certain application can be derived from our information. The information given does not release the user from the obligation of own judgment and verification. It must be remembered that the products are subject to a natural process of wear and aging.

The Emerson logo is a trademark and service mark of Emerson Electric Co. Brand logotype are registered trademarks of one of the Emerson family of companies. All other marks are the property of their respective owners. © 2017 Emerson Electric Co. All rights reserved.
2019-03



CONSIDER IT SOLVED™



青岛秉诚自动化设备有限公司
地址：中国·青岛市重庆南路99号海尔云街甲3号楼7F

服务热线：4006-918-365
网址：<http://www.ivalve.cc>

传真：(86-532)585-10-365
Email：sales@bechinas.com