

### FEATURES

- Tank system using aluminium profile and end covers with CE approval according to Pressure Equipment Directive 2014/68/EU, modules B1+D
- For use in dust collector applications requiring high flow capacity and accurate process control
- Full immersed valve system with thermoplastic polyester elastomer (TPE) piston/diaphragm design offers highest peak pressure and best flow performance
- The high quality piston/diaphragm guarantees a long operating life and a large temperature range
- Possibility to apply different combinations of pitch distances and up to 24 valves
- Easy to connect to other tank systems. Service connections for different accessories such as: filter regulator, pressure gauge, safety valve and automatic/manual drain valve
- Several blow pipe connections available, such as: push-in, hose or male or female threaded
- Tanks are available in a direct control valve version with a selection of coil systems and voltages or as a remote control, single piston/diaphragm version for external pilot valves or pilot boxes
- The integral operators are provided with epoxy moulded F-class coils. Various optional waterproof and explosionproof solenoids for use in potentially explosive atmospheres according to Directive ATEX 2014/34/EU, Zones 21+22 can be mounted



### GENERAL

<b>Pressure inlet connection</b>	ISO 228/1, G 1" female
<b>Air operating pressure</b>	min. 0,3, max. 8,5 bar
<b>Safety pressure</b>	12,2 bar
<b>Flow rate</b>	Kv 23,3 = 384 l/min
<b>Ambient temperature range</b>	-20°C to +85°C

### Tank System

<b>volume</b>	0,200 dm <sup>3</sup> / cm
<b>recommended min. tank volume</b>	15 dm <sup>3</sup>
<b>min. pitch distance</b>	end cap 110 mm; between valve 120 mm
<b>maximum length</b>	3000 mm

The tank system can be mounted in any position without affecting operation

fluids (*)	temperature range (TS)	seal materials (*)
air	-20 to +100 °C	TPE (thermoplastic polyester elastomer)

### CONSTRUCTION

<b>Tank</b>	Anodised aluminium profile EN AW-6060 T66
<b>Valve, outlet adapter</b>	Die-cast aluminium GD-ALSi12 to EN 1706
<b>End caps</b>	Die-cast aluminium GD-ALSi12 to EN 1706
<b>Spring</b>	Stainless steel
<b>Plugs</b>	PA (polyamide)
<b>Sealings &amp; disc</b>	NBR (nitrile)
<b>Screws</b>	Steel 8.8
<b>Diaphragm</b>	TPE
<b>Shading coil</b>	Copper

### ELECTRICAL CHARACTERISTICS

<b>Coil insulation class</b>	F
<b>Connector</b>	Spade plug (cable Ø 6-10 mm)
<b>Connector specification</b>	3 x DIN 46244
<b>Electrical safety</b>	IEC 335
<b>Standard voltages</b>	DC (=) : 24V
(Other voltages and 60 Hz on request)	AC (~) : 24V - 120V - 230V / 50 Hz

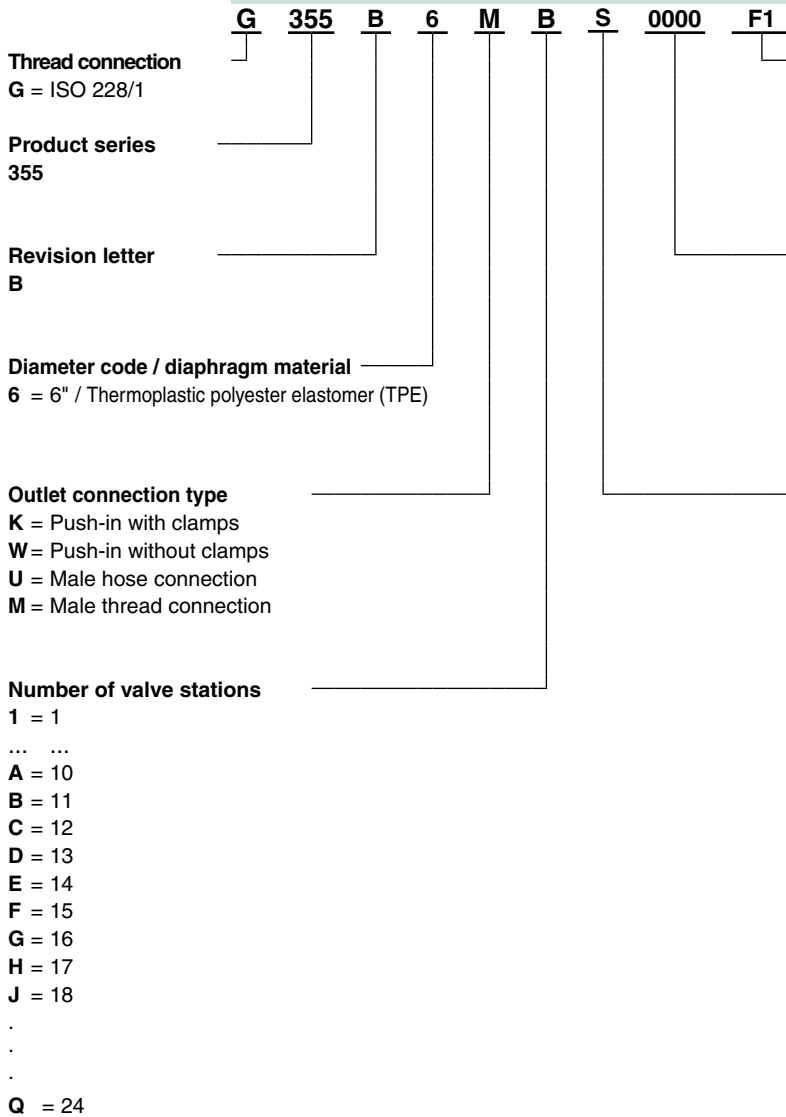
coil type	nominal power ratings				operator temperature range (TS) (°C)	protection	replacement coil	
	inrush	holding		hot/cold			~	=
	~	~	=	~			=	
	(VA)	(VA)	(W)	(W)		230 V/50 Hz	24 V DC	
XM5-FB	14,5	11	6,3	-	-20 to +85	moulded IP65	400127-217	-
XM5-FI <sup>(1)</sup>	-	-	-	15 / 22			-	400127-642

(1) Intermittent duty, Relative Duty Time is 10%. Max. on time 1 min.

**ALUMINIUM TANK SYSTEM**

**HOW TO ORDER**

**15-DIGIT PRODUCT CODE**



**Voltage - class**

- F1** = 24 DC - Class F
- FL** = 24/50 - Class F
- FH** = 230/50-60 - Class F
- F2** = 120/60 - Class F
- 00** = All remote valves no voltage required

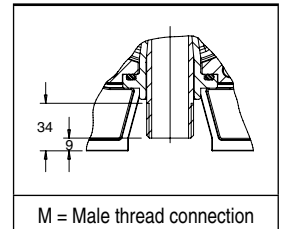
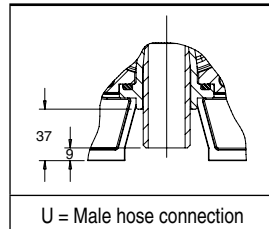
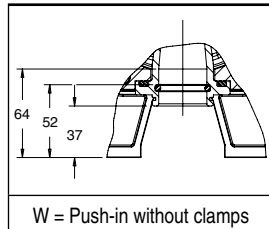
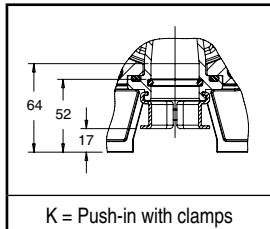
**Dimensions code**

Consult our Dynamic Product Modeling Tool on: [www.asconumatics.eu](http://www.asconumatics.eu)  
Dimension code for distance between valves and end caps is determined by ASCO

**Actuation**

- 1** = Remote single stage prepared for pilot box, incl. brackets; push in fittings; plastic tube
  - 3** = Remote control single stage
  - 5** = Remote single stage prepared for pilot box ATEX II G/D, incl. brackets; push in fittings; plastic tube
  - 7** = Remote single stage ATEX II G/D
  - S** = Solenoid operators SC IP65 ISO 4400
  - D** = Solenoid operators SG ATEX 3D
  - N** = Solenoid operators NF ATEX 2G/D
  - E** = Solenoid operators EM ATEX 2G/D
  - P** = Solenoid operators PV ATEX 2G/D
  - F** = Solenoid operators EF NEMA 7+9 ICS-6 ANSI
- For more technical information see catalogue page "OPERATORS"

**OUTLET CONNECTION TYPES**



### ORDERING INFORMATION

**DIMENSIONS (mm), WEIGHT (kg), VOLUME (l)** 

**Solenoid operated valve system**  
including spade plug connector ISO 4400, IP65, IEC 335

Fig. 1 (front view)

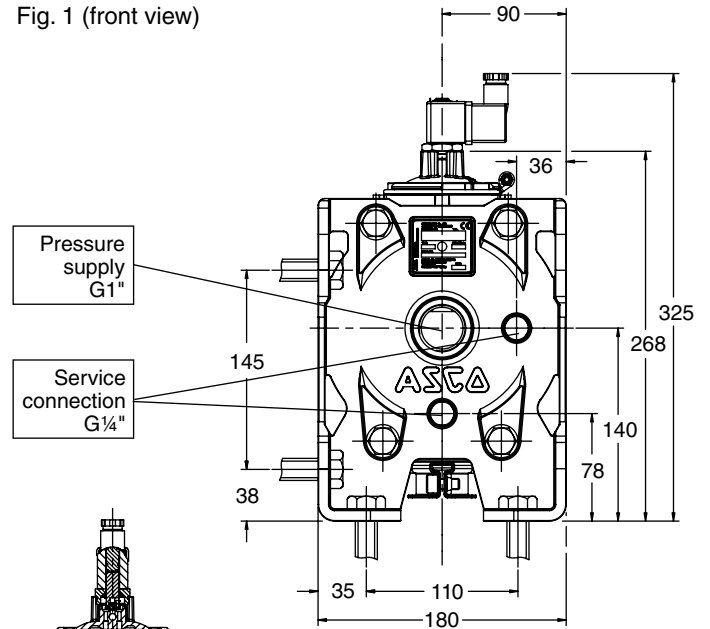
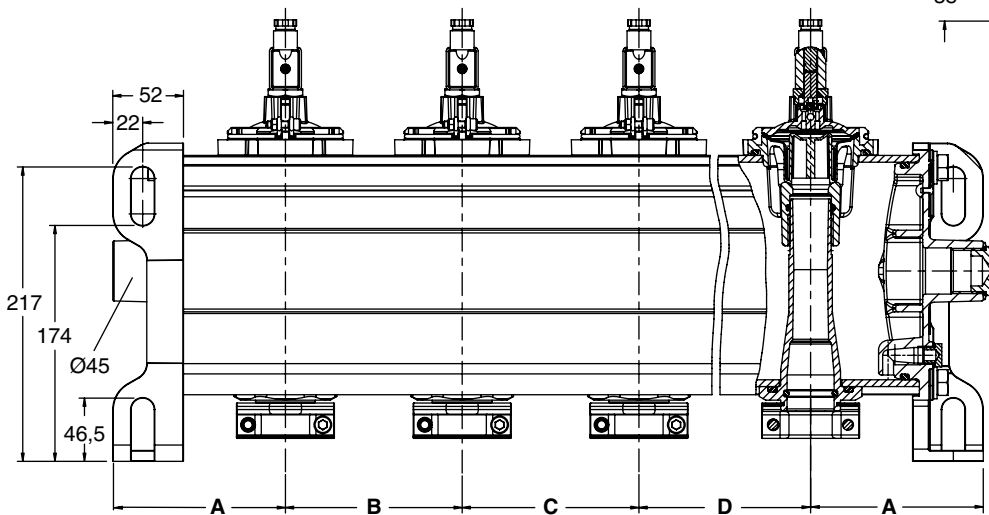


Fig. 2 (side view)



**Example I: Dimension code for a 24 DC tank system with push-in outlet and 4 solenoid operated valves with built-in silencers:**

<b>Start distance</b>	A =	min. 110 mm
<b>Standard pitch</b>	# valve =	min. 120 mm
<b>End distance</b>	A =	min. 110 mm
<b>Total dimension</b>		580 mm
<b>Weight</b>		13 kg
<b>Volume</b>		9 l
<b>Order number</b>		<b>G355B6W4S0017F1</b>

**For assistance please consult our website:** [www.asconumatics.eu](http://www.asconumatics.eu)

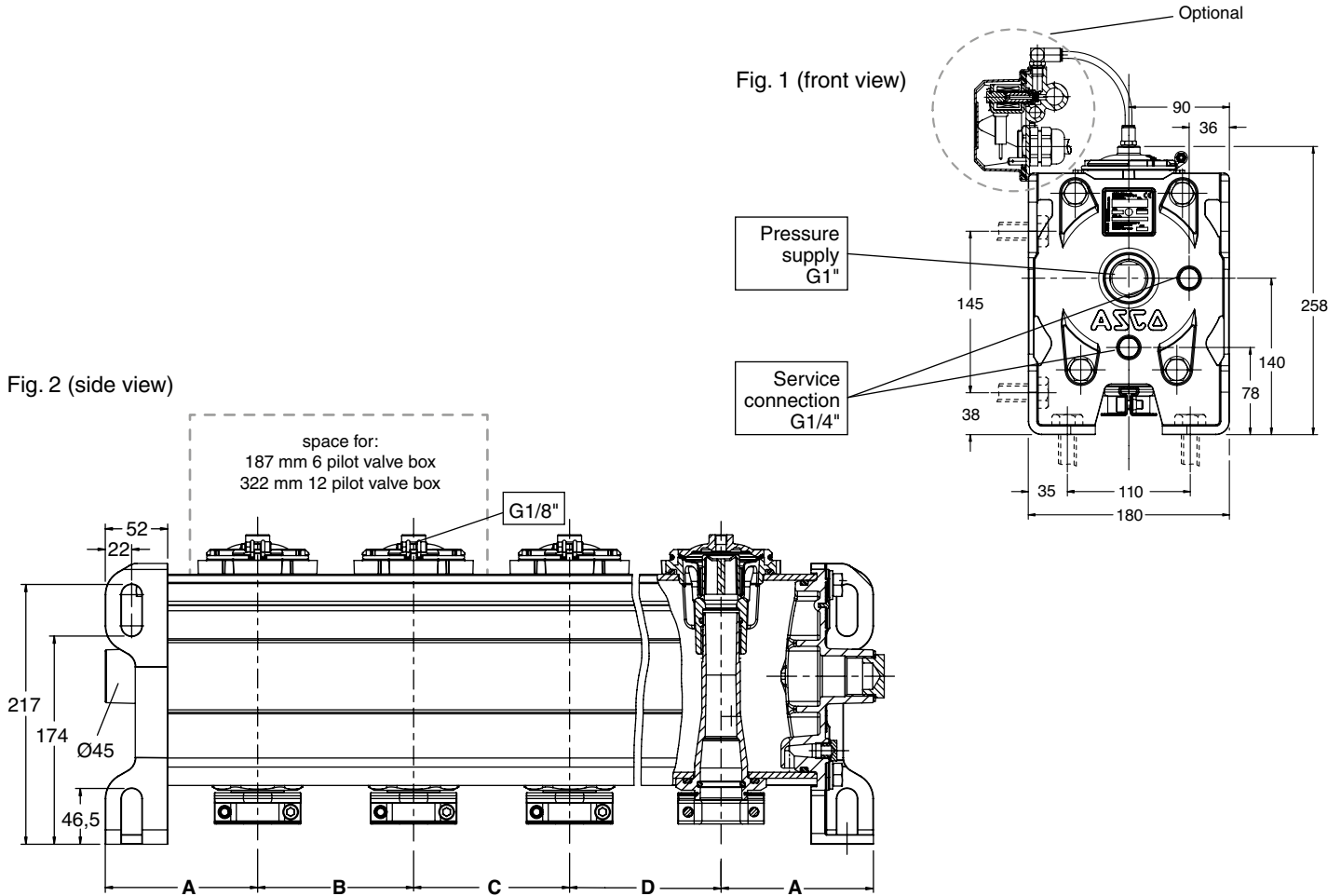
60062GB-2013/R01  
Availability, design and specifications are subject to change without notice. All rights reserved.

All leaflets are available on: [www.asconumatics.eu](http://www.asconumatics.eu)

### ORDERING INFORMATION

**DIMENSIONS (mm), WEIGHT (kg), VOLUME (l)** 

**Remote operated valve system prepared for pilot box**  
including pilot box mounting brackets, push-in fittings and tubes for G 1/8" pilot box series 110



**Example II: Dimension code for a 4 remote operated valve tank system prepared for pilot box with clamp outlet:**

<b>Start distance</b>	A =	min. 110 mm
<b>Standard pitch</b>	# valve =	min. 120 mm
<b>End distance</b>	A =	min. 110 mm
<b>Total dimension</b>		580 mm
<b>Weight</b>		14 kg
<b>Volume</b>		9 l
<b>Order number</b>		<b>G355B6K41001800</b>

**For technical information on ASCO pilot boxes see catalogue series 110**  
**For assistance please consult our website:** [www.asconumatics.eu](http://www.asconumatics.eu)

### OPTIONS

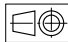
- Special customised executions
- Pilot boxes containing 2 to 12 pilot valves
- Separate pilot valves can be equipped with explosionproof solenoids for hazardous locations according to "ATEX" (CENELEC) and national standards
- Separate Quick Mount clamps for outlet connection; kit number: **C132-679**

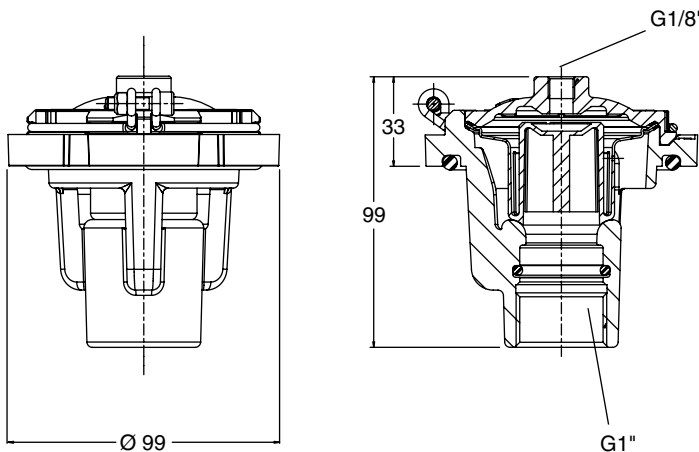
### INSTALLATION

- The tank system can be mounted in any position without affecting operation using the brackets
- Pipe connection identifier is: G = according to ISO 228/1 or Ø for other outlet connections
- For Quick Mount types tightness is achieved by the O-ring sealing on the pipe (1" = Ø33,2 to 34,2) according to ISO 4200
- When connecting piping or tubing to the G1/8 connection in the valve bonnet, the remote ASCO pilot valve should be mounted as close as possible to the main pulse valve. Connection tubing lengths of 3 meter or less have little effect on the pulse response. Installations with over 3 meter of tubing must be tested under actual operating conditions. Tubing with Ø 6 mm is recommended for all installations
- Installation/maintenance instructions are included with each tank system
- Spare valves and spare parts kits are available

### SEPARATE / SPARE POWER PULSE VALVES

FEATURES - (same as for the tank system)

DIMENSIONS (mm), WEIGHT (kg) 



### SPECIFICATIONS

pipe size	catalogue number	weight
(G) Female threaded connection (ISO 228/1)		
1"	E353A231	0,428

### SPARE PARTS KITS

designation	spare parts kit no.
Remote operated valve	<b>C139420</b>

60062GB-2013/R01  
Availability, design and specifications are subject to change without notice. All rights reserved.

All leaflets are available on: [www.asconumatics.eu](http://www.asconumatics.eu)

### OPTIONS


- Special customised executions
- Waterproof enclosures with embedded screw terminal coil according to protection class IP67, CEE 10
- Explosionproof solenoids for hazardous locations according to "ATEX" and national standards
- Separate Quick Mount clamps for outlet connection; kit number: **C132-679**

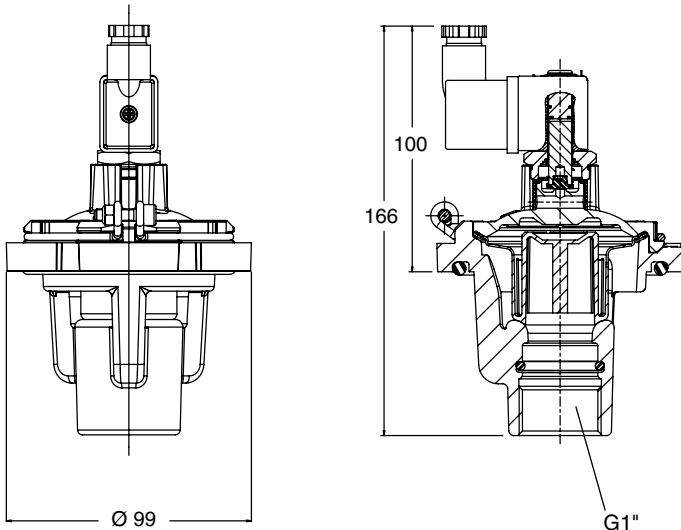
### INSTALLATION

- The tank system can be mounted in any position without affecting operation using the brackets
- Pipe connection identifier is: G = according to ISO 228/1 or Ø for other outlet connections
- For Quick Mount types tightness is achieved by the O-ring sealing on the pipe (1" = Ø33,2 to 34,2) according to ISO 4200
- Installation/maintenance instructions and declaration of conformity are included with each tank system
- Spare valves, spare parts kits and coils are available

### SEPARATE / SPARE POWER PULSE VALVES

**FEATURES** - (same as for the tank system)

**DIMENSIONS** (mm), **WEIGHT** (kg) 



### SPECIFICATIONS

pipe size	catalogue number	weight
(G) Female threaded connection (ISO 228/1)		
1"	SC E353A237	0,558

### SPARE PARTS KITS

designation	spare parts kit no.
Solenoid operated valve (~/=)	<b>C139417</b>