

COILS AND ACCESSORIES

Product Index



| Products | pipe connections | | | | | | | | | | Type | Illustration | Series | Page | | | |
|---|--|---|----|----|----|----|-----|-----|-----|-----|------|--------------|--------|------|------------------|-----|---|
| | □ - instant fittings O.D. (mm) ■ - internal thread ØG | | | | | | | | | | | | | | | | |
| | □ | | ØG | | | | | | | | | | | | | | |
| | 4 | 6 | 8 | 10 | 12 | M5 | 1/8 | 1/4 | 3/8 | 1/2 | 3/4 | 1 | | | | | |
| Pneumatic accessories ⁽¹⁾ | | | | | | | | | | | | | | | | | |
| Panel-mounted in-line flow regulator | | | | | | ■ | ■ | ■ | ■ | ■ | ■ | | | | | | |
| Banjo flow regulator | □ | □ | □ | | | ■ | ■ | ■ | ■ | ■ | | | | | plastic | 346 | 1 |
| | | | | | | | ■ | ■ | ■ | | | | | | metal | | |
| Flow regulator silencer | | | | | | | ■ | ■ | | | | | | | | | |
| Exhaust regulator with integrated silencer | | | | | | | ■ | ■ | ■ | ■ | | | | | | | |
| Silencer | | | | | | | ■ | ■ | ■ | ■ | ■ | ■ | | | plastic or metal | 346 | 3 |
| Exhaust protector | | | | | | | ■ | ■ | ■ | ■ | ■ | ■ | | | metal | | |
| Shuttle valve | | | | | | | ■ | ■ | | | | | | | | | |
| Non-return valve | □ | □ | | | | | | | | | | | | | plastic | 346 | 3 |
| | | | | | | | ■ | ■ | ■ | ■ | | | | | metal | | |
| Quick exhaust valve | | | | | | | | ■ | ■ | ■ | ■ | | | | | | |

⁽¹⁾ For equivalence between accessory and cylinder sizes, see page III

All leaflets are available on: www.asco.com

00219GB-2018/R01
Availability, design and specifications are subject to change without notice. All rights reserved.

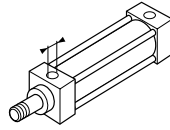
| product | pipe connections | | | | | | | | | | | | | | type | illustration | series | page | | |
|---|------------------|---|-------|----|----|-----|-----|-----|-----|-----|---|-------|----------|-----------|------|------------------|----------|--|---------------------|--------------------|
| | 3 | 4 | 6..12 | M3 | M5 | 1/8 | 1/4 | 3/8 | 1/2 | 3/4 | 1 | 1 1/4 | 1 1/2..2 | pad mount | | | | | | |
| Pneumatic accessories ⁽¹⁾ | | | | | | | | | | | | | | | | | | | | |
| t | | | | | | | | | | | | | | | | red green yellow | | 346 | 3 | |
| High flow air silencer | | | | | | | | | | | | | | | | | | SEHB | 5 | |
| Exhaust silencer filter | | | | | | | | | | | | | | | | | | 346 | 7 | |
| Exhaust coalescing filter and silencer | | | | | | | | | | | | | | | | | | H30 H40 | 8 | |
| Orientable cylinder blocking fittings | | | | | | | | | | | | | | | | | | 346 | 9 | |
| Pilot operated check valve | | | | | | | | | | | | | | | | | | NCP PG NCP GG | 10 | |
| Quick exhaust valve | | | | | | | | | | | | | | | | | | SEV | 11 | |
| Electronic multimer with adjustable pulses | | | | | | | | | | | | | | | | | | 881 | 13 | |
| Pneumatic timer | | | | | | | | | | | | | | | | | | 333 346 | (2) | |
| Adjustable pressure switch with or without status indication and protection | | | | | | | | | | | | | | | | | | 349 | 15 | |
| Pressure switch (setting range up to 50 bar) | | | | | | | | | | | | | | | | | | 349 | 16 | |
| Electronic pressure switch | | | | | | | | | | | | | | | | | | 349 | 17 | |
| Pneumatic-electric interface | | | | | | | | | | | | | | | | | | 304 | 19 | |
| Micro pressure regulator | | | | | | | | | | | | | | | | Micro 10 | | 342 | 21 | |
| Pressure gauge (Ø 40 mm) | | | | | | | | | | | | | | | | | | 343 | 21 | |
| Micro flowrate reducing valve | | | | | | | | | | | | | | | | Micro 10 | | 346 | 21 | |
| Push-in, threaded or hose connectors | | | | | | | | | | | | | | | | | Micro 10 | | 346 | 22 |

⁽¹⁾ For equivalence between accessory and cylinder sizes, see page III

⁽²⁾ See "Pneumatic Automation" section.

PNEUMATIC CYLINDER PORT DIAMETERS

The following table will enable you to select the correct size of the pneumatic accessories for direct fitting to the cylinder ports (banjo flow regulator, orientable cylinder blocking fitting).



| type | series | cylinder bore (mm) | | | | | | | | | | | | | | | | | | |
|---|---------------------|--------------------|----|----|----|----|----|-----|----|-----|-----|-----|-----|-----|-----|-----|-----|-----|-----|-----|
| | | 6 | 8 | 10 | 12 | 16 | 18 | 20 | 22 | 25 | 32 | 40 | 50 | 63 | 80 | 100 | 125 | 160 | 200 | 250 |
| E | 429 | * | - | * | - | * | - | - | - | - | - | - | - | - | - | - | - | - | - | - |
| - | 441 | - | M5 | M5 | M5 | M5 | - | M5 | - | M5 | 1/8 | 1/8 | 1/8 | 1/8 | 1/8 | 1/8 | - | - | - | - |
| - | 435 | - | M5 | M5 | M5 | M5 | - | 1/8 | - | 1/8 | - | - | - | - | - | - | - | - | - | - |
| - | 438 | - | - | - | - | - | - | - | - | 1/8 | 1/4 | 1/4 | 3/8 | - | - | - | - | - | - | - |
| - | 449 | - | - | - | - | - | - | M5 | - | M5 | 1/8 | 1/8 | 1/8 | 1/8 | 1/8 | 1/8 | - | - | - | - |
| - | 453 | - | - | - | - | - | - | - | - | 1/8 | 1/4 | 1/4 | 3/8 | 3/8 | 1/2 | - | - | - | - | - |
| - | 454 | - | - | - | - | - | - | - | - | 1/8 | 1/4 | 1/4 | 3/8 | 3/8 | 1/2 | - | - | - | - | - |
| - | 450 | - | - | - | - | - | - | - | - | 1/8 | 1/4 | 1/4 | 3/8 | 3/8 | 1/2 | 1/2 | 3/4 | 3/4 | - | - |
| PIS | 436 | - | - | - | - | - | - | - | - | - | - | - | - | - | - | - | - | - | - | 1 |
| PCN | 437 | - | - | - | - | - | - | - | - | 1/8 | 1/8 | 1/4 | 1/4 | 3/8 | 3/8 | 1/2 | 1/2 | 3/4 | 3/4 | - |
| - | 431 | - | - | - | - | - | - | - | - | 1/8 | 1/4 | 1/4 | 3/8 | 3/8 | - | - | - | - | - | - |
| - | S | - | - | - | - | - | - | - | - | 1/8 | 1/4 | 1/4 | 3/8 | 3/8 | 1/2 | 1/2 | - | - | - | - |
| STN | 445 | M5 | - | M5 | - | M5 | - | 1/8 | - | 1/8 | 1/8 | 1/4 | - | - | - | - | - | - | - | - |
| STG | 445 | M5 | - | M5 | - | M5 | - | 1/8 | - | 1/8 | 1/8 | 1/4 | - | - | - | - | - | - | - | - |
| STB | 446 | - | - | - | - | - | - | - | - | 1/8 | 1/4 | 1/4 | 3/8 | 3/8 | - | - | - | - | - | - |
| STBN | 446 | - | - | - | - | M5 | - | - | - | 1/8 | 1/4 | 1/4 | 3/8 | 1/2 | - | - | - | - | - | - |
| STB | 448 | - | - | - | - | M5 | - | - | - | 1/8 | 1/4 | 1/4 | 3/8 | 1/2 | - | - | - | - | - | - |
| STB (with passive brake) | 448 | - | - | - | - | - | - | - | - | 1/8 | 1/4 | 1/4 | 3/8 | 1/2 | - | - | - | - | - | - |
| STBB | 448 | - | - | - | - | - | - | - | - | 1/8 | 1/4 | 1/4 | 3/8 | 1/2 | - | - | - | - | - | - |
| STBB (with passive brake) | 448 | - | - | - | - | - | - | - | - | 1/8 | 1/4 | 1/4 | 3/8 | 1/2 | - | - | - | - | - | - |
| - | CGT | - | - | - | - | M5 | - | 1/8 | - | 1/8 | 1/8 | 1/4 | 1/4 | - | - | - | - | - | - | - |
| P2L - P2B | 447 | - | - | - | - | M5 | - | M5 | - | M5 | 1/8 | - | - | - | - | - | - | - | - | - |
| R | 429 | - | - | - | M5 | - | - | M5 | - | - | - | - | - | - | - | - | - | - | - | - |
| RS | 429 | - | - | - | - | M5 | M5 | - | M5 | - | - | - | - | - | - | - | - | - | - | - |

* hose connections

| description | illustration | series | page |
|--|--------------|---------------------|------|
| Coils and solenoid operators | | | |
| Replacement coils | | 400 430 | IV |
| Connectors | | | |
| Electrical connectors EN 175301-803, industry standard form B (11 mm, size 22) ISO 4400 / EN 175301-803, form A (18 mm, size 30) | | 881 | 25 |
| EN 175301-803, industry standard form C (9,4 mm, size 15) EN 175301-803, form C (8 mm, size 15) | | 881 | 27 |
| Visual indication (LED) and electrical protection module (size 15) | | 881 | 29 |
| ISO 4400 / EN 175301-803, form A (size 30) with protection by TRANSIL and LED display | | 881 | 31 |

00219GB-2017/R01
Availability, design and specifications are subject to change without notice. All rights reserved.

All leaflets are available on: www.asco.com

COIL CHARACTERISTICS

All coils are designed to operate at 15% or 10% below the nominal voltage (Un) and at 10% above the nominal voltage (Un). [Applicable standards: IEC 335, EN 60730- 1, UL 429]

The coils are rated for continuous duty within the maximum ambient temperature limits (100% ED).

CATALOGUE NUMBERS OF REPLACEMENT COILS

| solenoid valve series | coil type | alternating current , AC (~) 50 Hz | | | | | direct current , DC (=) | | | |
|-----------------------|------------------------------|------------------------------------|----------------|------------------------------|----------------------|----------------|-------------------------|------------|------------|------------|
| | | 24V | 48V | 115V | 230V | 240V | 12V | 24V | 48V | 110V |
| 189 | C22A - 2,5 W | 43004416 (♣) | 43004417 (♣) | 43004419 (♣) | 43004422 (♣) | 43004423 (♣) | 43004149 | 43004166 | 43004167 | 43004168 |
| | C22 - 2,5 W (M12) | - | - | - | - | - | - | 43005523 | - | - |
| 189 | CM22 - 2,5 W | 43004878 (♣) | 43004879 (♣) | 43004884 (♣) | 43004886 (♣) | 43004887 (♣) | 43004867 | 43004869 | 43004873 | 43004875 |
| 189 banjo 551 | CM22 ⁽¹⁾ - 2,5/3W | 400127-081 (♣) | 400127-085 (♣) | 400127-098 (115V/60-120V/60) | 400127-097 (♣) | 400127-091 (♣) | 400904-541 | 400904-542 | 400904-544 | 400904-548 |
| 356 (1/8) | CM22-4W/6,9W F | 400127-181 (♣) | 400127-185 (♣) | 400127-181 (115V/60-120V/60) | 400127-197 (♣) | - | 400127-141 | 400127-142 | 400127-144 | 400127-148 |
| 356 (1/4) | CM25-5W/6,9W F | 400727-181 (♣) | 400727-185 (♣) | 400727-118 (115V/50) | 400727-117 (130V/50) | - | 400727-181 | 400727-185 | 400727-118 | 400727-117 |
| 190 | C25A - 3W | 43004469 | 43004473 | 43004471 | 43004472 | - | 43004469 | 43004473 | 43004471 | 43004472 |
| | C25 - 3 W (M12) | - | - | - | - | - | - | 43005525 | - | - |
| 192 | C30A | 43005604 (♣) | 43005611 | 43005617 (115V/60-120V/60) | 43005627 | - | - | 43005642 | - | - |
| | C30 (M12) | - | - | - | - | - | - | 43005664 | - | - |

⁽¹⁾ For high reliability in humid exterior environments

(♣) Bifrequency 50/60 Hz.

| CM22-4/6,9W COIL with connector Example: series 551, 356 | C22 COIL with M12 connection Example: series 189 | CM25-5/6,9W COIL with connector Example: series 238, 356 1/4 | C25 COIL with M12 connection Example: series 190 | C30A COIL with connector Example: series 192 | C30 COIL with M12 connector Example: series 192 |
|--|--|--|--|--|---|
| | | | | | |

PANEL MOUNTED "IN LINE" FLOW REGULATORS

FLUID :

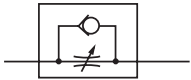
Air or neutral gas, filtered, lubricated or not

OPERATING PRESSURE : 1 to 10 bar

TEMPERATURE : -10°C to +60°C

CONSTRUCTION :

Body in aluminium
Seals in NBR (nitrile)

|  | |
|---|-----------------|
| Connection Ø | CODES |
| Ø M5 | 34602010 |
| G 1/8 | 34602152 |
| G 1/4 | 34602153 |
| G 3/8 | 34602154 |
| G 1/2 | 34602155 |
| G 3/4 | 34600156 |



BANJO FLOW REGULATOR, ADAPTABLE ON CYLINDER

FLUID :

Air or neutral gas, filtered, lubricated or not

OPERATING PRESSURE : 1 to 10 bar


TEMPERATURE : 0°C to + 70°C

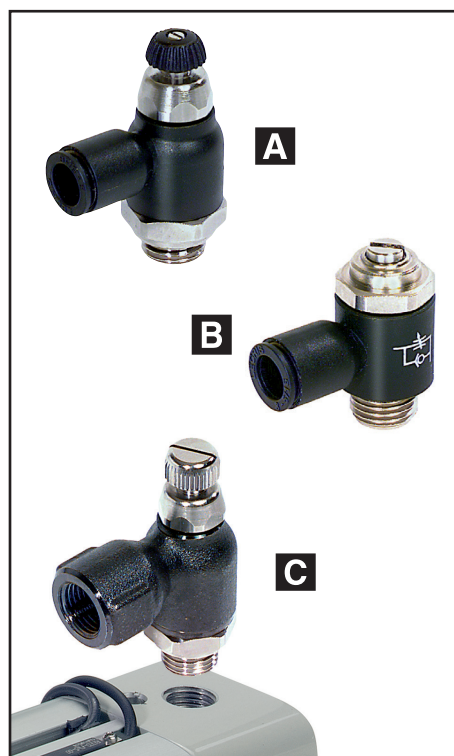
Banjo connection for **direct** fitting to cylinder port for simple, compact installation.

Version (B) with a recessed adjustment screw is an even more compact design. It offers the additional advantage of preventing inadvertent loss of flow adjustment. Can be locked with a spot of varnish.

CONSTRUCTION :

Body in polymer (A - B)
or brass treated (version C)
Screw, lock-nut, subbase in brass
Seals in NBR (nitrile)

|  | | |
|---|-------------------------------------|-----------------|
| Installation Ø | Ø connection by instant fittings | CODES |
| A Plastic body, adjustable by button/screw | | |
| Ø M5 | Ø 4 mm ext. | 34602188 |
| G 1/8 | Ø 4 mm ext. | 34602221 |
| G 1/8 | Ø 6 mm ext. | 34602222 |
| G 1/4 | Ø 6 mm ext. | 34602223 |
| G 1/4 | Ø 8 mm ext. | 34602224 |
| G 3/8 | Ø 10 mm ext. | 34602021 |
| G 1/2 | Ø 12 mm ext. | 34602022 |
| B Plastic body, adjustable by screw recessed | | |
| Ø M5 | Ø 4 mm ext. | 34602016 |
| G 1/8 | Ø 4 mm ext. | 34602017 |
| G 1/8 | Ø 6 mm ext. | 34602018 |
| G 1/4 | Ø 6 mm ext. | 34602019 |
| G 1/4 | Ø 8 mm ext. | 34602020 |
| Installation Ø | Ø connection tapped | CODES |
| C Metal body, tapped output, adjustable by button/screw | | |
| G 1/8 | G 1/8 | 34602181 |
| G 1/4 | G 1/4 | 34602182 |
| G 3/8 | G 3/8 | 34602183 |



SPEED CONTROL SILENCER

FLUID :

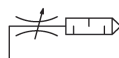
Air or neutral gas, filtered, lubricated or not

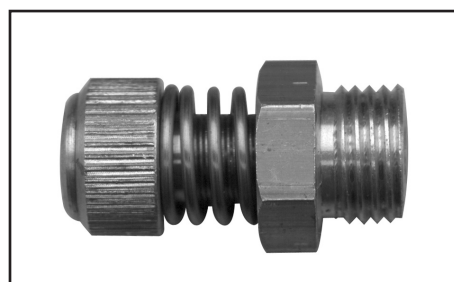
OPERATING PRESSURE : 0,5 - 10 bar

TEMPERATURE : -20°C to +70°C

CONSTRUCTION :

Body Brass
Spring Stainless steel
Seals NBR (nitrile)

|  | |
|---|---------------|
| Connection Ø | CODES |
| G 1/8 | SE10RM |
| G 1/4 | SE25RM |



EXHAUST REGULATOR + SILENCER

FLUID :

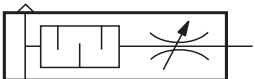
Air or neutral gas, filtered, lubricated or not

OPERATING PRESSURE : 0 to 10 bar

TEMPERATURE : -10°C to +80°C

CONSTRUCTION :

Body in polymer
Silencer part in porous plastic

|  | |
|---|-----------------|
| Connection Ø | CODES |
| G 1/8 | 34600413 |
| G 1/4 | 34600414 |
| G 3/8 | 34600415 |
| G 1/2 | 34600416 |



00220GB-2018/R01
Availability, design and specifications are subject to change without notice. All rights reserved.

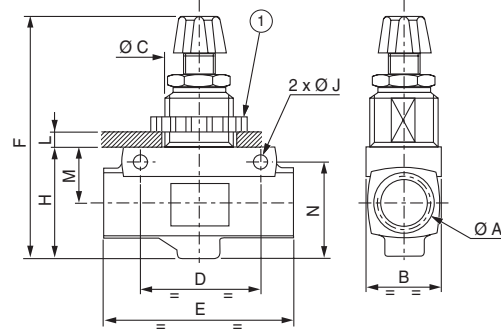
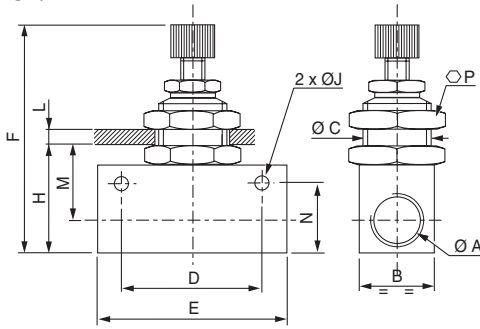
All leaflets are available on: www.asco.com

DIMENSIONS AND WEIGHTS

PANEL-MOUNTED "IN-LINE" FLOW REGULATORS

■ M5 to G1/2

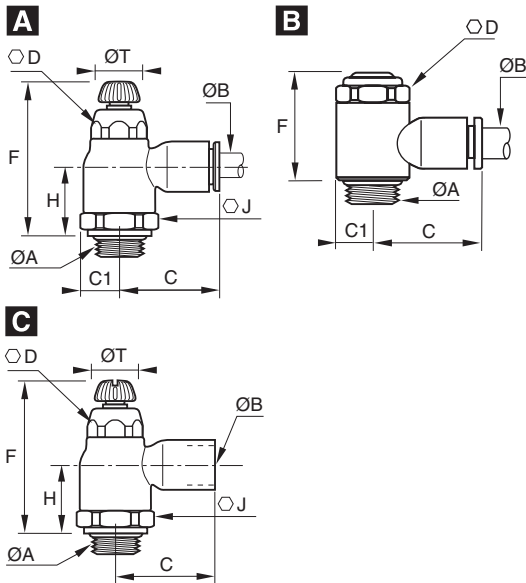
■ G3/4



| CODES | Ø A | B | Ø C | D | E | F min. | F max. | H | Ø J | L max. | M | N | Ø P | Weight (kg) |
|----------|-------|----|------------|----|-----|--------|--------|----|-----|--------|----|----|-----|-------------|
| 34602010 | M5 | 12 | M9 x 0,75 | 18 | 25 | 32 | 37 | 17 | 3,2 | 3 | 10 | 12 | 11 | 0,019 |
| 34602152 | G 1/8 | 16 | M12 x 0,75 | 24 | 34 | 49 | 56 | 24 | 4,5 | 6 | 16 | 16 | 15 | 0,060 |
| 34602153 | G 1/4 | 25 | M18 x 1,5 | 35 | 50 | 67 | 75 | 35 | 6,5 | 7,5 | 23 | 25 | 22 | 0,140 |
| 34602154 | G 3/8 | 25 | M18 x 1,5 | 40 | 58 | 67 | 75 | 35 | 6,5 | 7,5 | 23 | 25 | 22 | 0,245 |
| 34602155 | G 1/2 | 30 | M22 x 1,5 | 50 | 65 | 80 | 92 | 46 | 6,5 | 10 | 29 | 33 | 26 | 0,360 |
| 34600156 | G 3/4 | 39 | M37 x 2 | 70 | 110 | 119 | 132 | 58 | 6,5 | 15,5 | 28 | 51 | - | 0,550 |

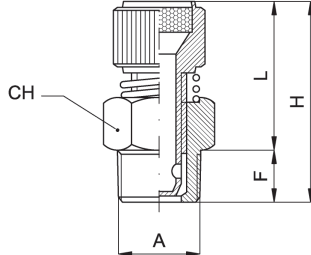
① Knurled nut

BANJO FLOW REGULATOR, ADAPTABLE ON CYLINDER



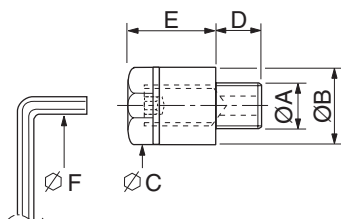
| CODES | Ø A | Ø B | C | C1 | D | F min. | F max. | H | J | Ø T | Weight |
|--|-------|------|------|------|----|--------|--------|------|----|-----|--------|
| A Plastic body, instant fittings output, adjustable by button/screw | | | | | | | | | | | |
| 34602188 | M 5 | 4 | 17 | 4,5 | 6 | 23,5 | 26 | - | - | - | 0,008 |
| 34602221 | G 1/8 | 4 | 22 | 9 | 10 | 38 | 44 | 16 | 16 | 10 | 0,021 |
| 34602222 | G 1/8 | 6 | 22 | 9 | 10 | 38 | 44 | 16 | 16 | 10 | 0,021 |
| 34602223 | G 1/4 | 6 | 22 | 9 | 10 | 36,5 | 42,5 | 15 | 16 | 10 | 0,021 |
| 34602224 | G 1/4 | 8 | 28 | 10,5 | 14 | 41,5 | 48 | 18,5 | 19 | 12 | 0,037 |
| 34602021 | G 3/8 | 10 | 32 | 12,5 | 17 | 45,5 | 54 | 20 | 23 | 17 | 0,059 |
| 34602022 | G 1/2 | 12 | 35 | 13 | 17 | 45,5 | 54 | 20 | 24 | 17 | 0,065 |
| B Plastic body, instant fittings output, adjustable by screw recessed | | | | | | | | | | | |
| 34602016 | M 5 | 4 | 19 | 5 | 8 | 17,5 | 19 | - | - | - | 0,007 |
| 34602017 | G 1/8 | 4 | 19 | 7 | 13 | 25 | 26 | - | - | - | 0,017 |
| 34602018 | G 1/8 | 6 | 21 | 7 | 13 | 25 | 26 | - | - | - | 0,019 |
| 34602019 | G 1/4 | 6 | 22 | 9,5 | 17 | 26,5 | 28 | - | - | - | 0,034 |
| 34602020 | G 1/4 | 8 | 27 | 9,5 | 17 | 26,5 | 28 | - | - | - | 0,035 |
| C Metal body, tapped output, adjustable by button/screw | | | | | | | | | | | |
| 34602181 | G 1/8 | G1/8 | 22,5 | - | 10 | 47 | 52,5 | 23 | 19 | - | 0,076 |
| 34602182 | G 1/4 | G1/4 | 32 | - | 14 | 50,5 | 55,5 | 25 | 19 | - | 0,107 |
| 34602183 | G 3/8 | G3/8 | 34,5 | - | 17 | 56 | 62 | 27 | 25 | - | 0,212 |

SPEED CONTROL SILENCER



| CODES | F | L | | H | | CH | A |
|--------|---|------|------|------|------|----|------|
| | | min. | max. | min. | max. | | |
| SE10RM | 6 | 20 | 22 | 26 | 28 | 13 | G1/8 |
| SE25RM | 8 | 22 | 24 | 30 | 32 | 15 | G1/4 |


EXHAUST REGULATOR + SILENCER

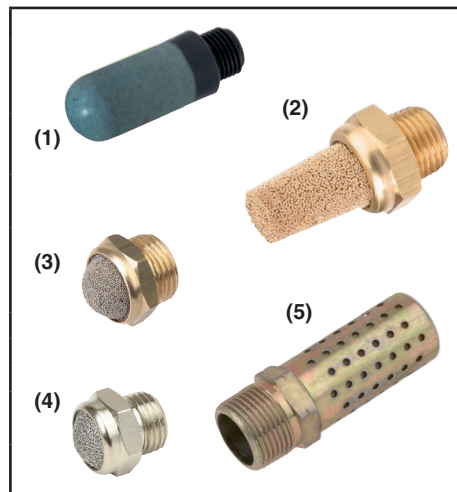


| CODES | Ø A | Ø B | Ø C | D | E | Ø F | Weight (kg) |
|----------|------|-----|-----|----|------|-----|-------------|
| 34600413 | G1/8 | 15 | 13 | 6 | 14,5 | 2,5 | 0,005 |
| 34600414 | G1/4 | 18 | 15 | 7 | 22 | 4 | 0,010 |
| 34600415 | G3/8 | 24 | 20 | 8 | 30 | 6 | 0,030 |
| 34600416 | G1/2 | 30 | 25 | 10 | 40 | 8 | 0,050 |

All leaflets are available on: www.asco.com

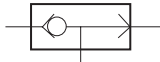
SILENCER (1, 2, 4), EXHAUST PROTECTOR (3)

| | | catalogue number | | | | |
|---|------------------|------------------|---------------|-------------|---------------------|-------------------------------|
| | | (1) | (2) | (3) | (4) | (5) |
|  | | 0 to 10 bar | | 0 to 12 bar | 0 to 10 bar | 0 to 14 bar |
| operating pressure | | -10°C to +80°C | | | | |
| ambient temperature | | -20°C to +110°C | | | | |
| construction | body | porous plastic | porous bronze | bronze | stainless steel | zinc-plated steel, bichromate |
| | connection piece | plastic | brass | brass | Nickel plated brass | |
| | diffuser | - | - | - | - | |
| pipe size | Ø M5 | 34600405 | 34600207 | 34600491 | 34600484 | - |
| | G 1/8 | 34600406 | 34600001 | 34600492 | 34600418 | M1MB |
| | G 1/4 | 34600407 | 34600002 | 34600493 | 34600419 | M2MB |
| | G 3/8 | 34600408 | 34600003 | 34600494 | 34600478 | M3MB |
| | G 1/2 | 34600409 | 34600004 | 34600495 | 34600479 | M4MB |
| | G 3/4 | 34600410 | 34600005 | 34600496 | - | M5MB |
| | G 1 | 34600411 | 34600006 | 34600497 | - | M6MB |



SHUTTLE VALVE


Fluid Air or filtered neutral gas, lubricated or not
Operating pressure 1 to 10 bar
Ambient temperature -10°C to +60°C
CONSTRUCTION
Body Black anodised aluminium
Internal parts Steel + NBR (nitrile)

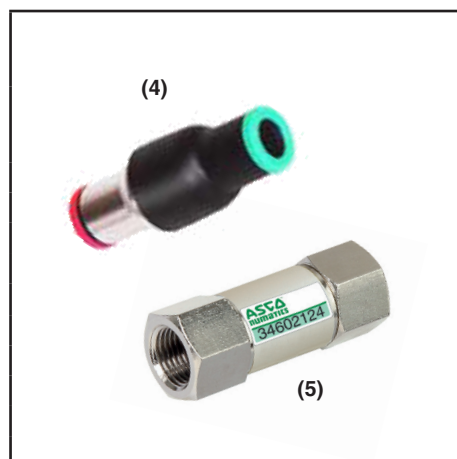
|  | | |
|---|----------------|------------------|
| pipe size | Ø orifice (mm) | catalogue number |
| G 1/8 | 3,2 | 34600127 |
| G 1/4 | 6 | 34600119 |



NON-RETURN VALVE

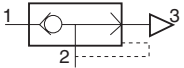
Fluid Air or filtered neutral gas, lubricated or not
Operating pressure
 plastic body 1 to 10 bar
 metal body 0,5 to 10 bar
Ambient temperature -10°C to +60°C
CONSTRUCTION
Body
 instant fittings version Technical polymer
 tapped version Brass nickeled
Internal parts Light alloy and brass
Seals NBR (nitrile)

|  | | |
|---|-----------------------|------------------|
| pipe size | flow at 6 bar (l/min) | catalogue number |
| (4) plastic body (instant fittings) | | |
| Ø 4 mm ext. | 330 | 34602445 |
| Ø 6 mm ext. | 665 | 34602446 |
| Ø 8 mm ext. | 1630 | 34602447 |
| (5) metal body (tapped) | | |
| Ø M5 | 190 | 34602412 |
| G 1/8 | 920 | 34602124 |
| G 1/4 | 1650 | 34602125 |
| G 3/8 | 2400 | 34602444 |
| G 1/2 | 3500 | 34602126 |



QUICK EXHAUST VALVE

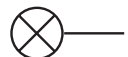
Fluid Air or filtered neutral gas, lubricated or not
Operating pressure 0,5 to 10 bar
Ambient temperature -10°C to +60°C
CONSTRUCTION
Body Light alloy
Membran NBR (nitrile)

|  | | |
|---|----------------|------------------|
| pipe size | Ø orifice (mm) | catalogue number |
| G 1/4 | 12 | 34600136 |
| G 3/8 | 12 | 34600137 |
| G 1/2 | 20 | 34600138 |
| G 3/4 | 20 | 34600139 |




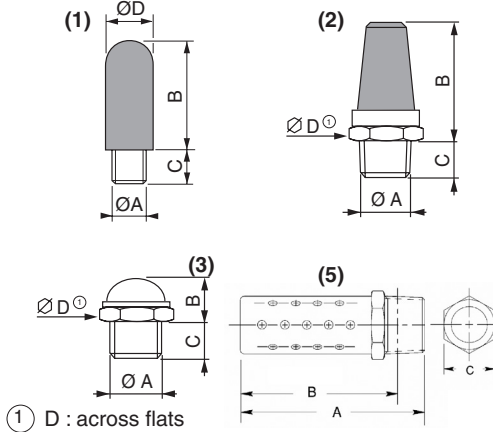
PNEUMATIC INDICATOR

Fluid Air or filtered neutral gas, lubricated or not
Operating pressure 2 to 8 bar
Ambient temperature +5°C to +70°C
Angle of vision 180°
CONSTRUCTION
Lens PC (polycarbonate)
Body and collar POM (polyacetal)
Nut Brass

|  | |
|---|------------------|
| color | catalogue number |
| red | 34600130 |
| green | 34600131 |
| yellow | 34600132 |



DIMENSIONS (mm), WEIGHT (kg) 
SILENCER, EXHAUST PROTECTOR



| (1) | | | | | |
|-------------|------|-----|----|----|--------|
| cat. number | ØA | B | C | ØD | weight |
| 34600405 | M5 | 16 | 5 | 7 | 0,0005 |
| 34600406 | G1/8 | 27 | 6 | 13 | 0,002 |
| 34600407 | G1/4 | 34 | 7 | 15 | 0,004 |
| 34600408 | G3/8 | 55 | 11 | 18 | 0,006 |
| 34600409 | G1/2 | 62 | 12 | 23 | 0,010 |
| 34600410 | G3/4 | 113 | 16 | 38 | 0,040 |
| 34600411 | G1 | 141 | 20 | 48 | 0,065 |

| (2) | | | | | |
|-------------|-------|------|------|----|--------|
| cat. number | ØA | B | C | D | weight |
| 34600207 | M5 | 18 | 4 | 8 | 0,004 |
| 34600001 | G1/8* | 22,4 | 5,6 | 13 | 0,010 |
| 34600002 | G1/4* | 41,6 | 8,4 | 16 | 0,030 |
| 34600003 | G3/8* | 49,2 | 8,8 | 24 | 0,030 |
| 34600004 | G1/2* | 54,6 | 11,4 | 27 | 0,070 |
| 34600005 | G3/4* | 82,3 | 12,7 | 36 | 0,300 |
| 34600006 | G1* | 93,5 | 14,5 | 50 | 0,400 |

* taper

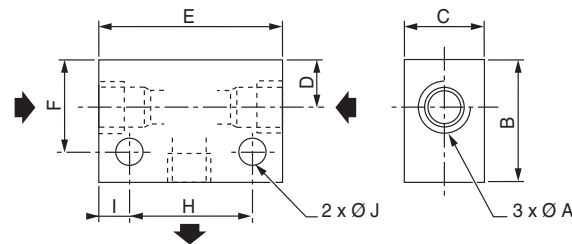
| (3) | | | | | |
|-------------|------|----|------|----|--------|
| cat. number | ØA | B | C | D | weight |
| 34600491 | M5 | 8 | 3,5 | 8 | 0,002 |
| 34600492 | G1/8 | 11 | 6 | 13 | 0,007 |
| 34600493 | G1/4 | 12 | 8 | 16 | 0,011 |
| 34600494 | G3/8 | 14 | 8 | 19 | 0,016 |
| 34600495 | G1/2 | 16 | 10 | 24 | 0,027 |
| 34600496 | G3/4 | 16 | 10 | 30 | 0,044 |
| 34600497 | G1 | 18 | 11,5 | 36 | 0,065 |

| (5) | | | | | |
|------|------|----|----|----|--------|
| code | Ø | A | B | C | weight |
| M1MB | G1/8 | 35 | 31 | 11 | 9 |
| M2MB | G1/4 | 44 | 39 | 14 | 23 |
| M3MB | G3/8 | 57 | 51 | 18 | 36 |
| M4MB | G1/2 | 69 | 61 | 22 | 68 |
| M5MB | G3/4 | 80 | 71 | 27 | 36 |
| M6MB | G1 | 99 | 88 | 33 | 227 |

① D : across flats

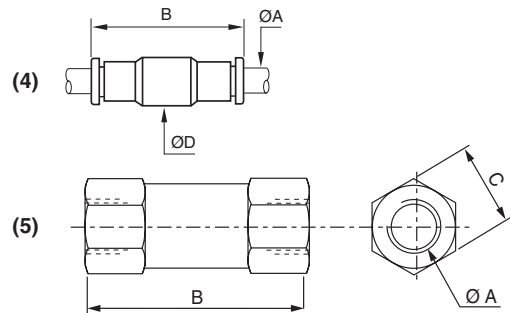
| (4) | | | | | |
|----------|-------|-----|-----|----|--------|
| code | ØA | B | C | D | weight |
| 34600484 | M5 | 4,5 | 3,2 | 8 | 1 |
| 34600418 | G 1/8 | 10 | 6 | 13 | 6 |
| 34600419 | G 1/4 | 11 | 8 | 16 | 10 |
| 34600478 | G 3/8 | 11 | 9 | 19 | 14 |
| 34600479 | G 1/2 | 14 | 9 | 24 | 23 |

SHUTTLE VALVE



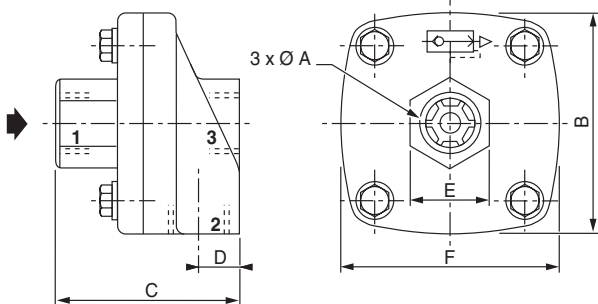
| cat. number | ØA | B | C | D | E | F | H | I | J | weight |
|-------------|------|----|----|------|----|------|----|-----|-----|--------|
| 34600127 | G1/8 | 26 | 16 | 8,5 | 51 | 20,5 | 32 | 9,5 | 4,5 | 0,150 |
| 34600119 | G1/4 | 30 | 20 | 10,5 | 52 | 21,5 | 35 | 8,5 | 5,5 | 0,210 |

NON-RETURN VALVE



| cat. number | ØA | B | C | ØD | weight |
|--|-------------|------|-----|----|--------|
| (4) plastic body (instant fittings) | | | | | |
| 34602445 | Ø 4 mm ext. | 38 | - | 16 | 0,008 |
| 34602446 | Ø 6 mm ext. | 41 | - | 16 | 0,013 |
| 34602447 | Ø 8 mm ext. | 51,5 | - | 19 | 0,018 |
| (5) metal body (tapped) | | | | | |
| 34602412 | Ø M5 | 25 | 8 | - | 0,008 |
| 34602124 | G 1/8 | 36,5 | 13 | - | 0,025 |
| 34602125 | G 1/4 | 41 | -16 | - | 0,041 |
| 34602444 | G 3/8 | 51 | 20 | - | 0,074 |
| 34602126 | G 1/2 | 62 | 24 | - | 0,120 |

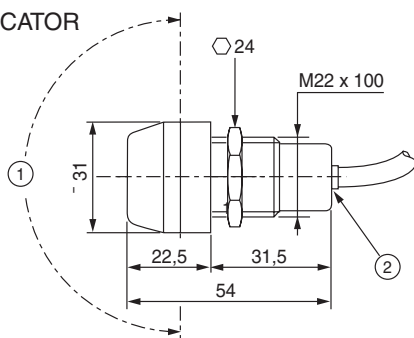
QUICK-EXHAUST VALVE



| cat. number | ØA | B | C | D | E | F | weight |
|-------------|------|----|----|----|----|----|--------|
| 34600136 | G1/4 | 64 | 52 | 13 | 25 | 64 | 0,185 |
| 34600137 | G3/8 | 64 | 52 | 13 | 25 | 64 | 0,185 |
| 34600138 | G1/2 | 85 | 72 | 19 | 38 | 97 | 0,420 |
| 34600139 | G3/4 | 85 | 72 | 19 | 38 | 97 | 0,390 |

PNEUMATIC INDICATOR

weight : 0,035 kg



- ① Angle of vision 180°
- ② Instant fittings for flexible tube Ø 4 O.D

All leaflets are available on: www.asco.com

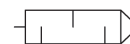
4 - Coils & Accessories

BCAE
Automation Solutions

青岛秉诚自动化设备有限公司
地址：中国·青岛市重庆南路99号海尔云街甲3号楼7F

服务热线：4006-918-365
网址：http://www.ivalve.com

传真：(86-532)585-10-365
Email：sales@bechinas.com



PRESENTATION

- Provides up to 85% perceived noise reduction and 94% Flow Factor

UTILISATION

The High Flow Air Muffler satisfies the need to muffle explosive air exhaust noise discharged with optimized CV flow factor, thus substantially improving equipment performance.

Constructed with a unique expansion chamber, completely free of obstruction, exhaust air flows softly to atmosphere free of noise, oil fog, and contaminates.

Units are constructed entirely with corrosion resistant material for long life and maintenance-free performance.

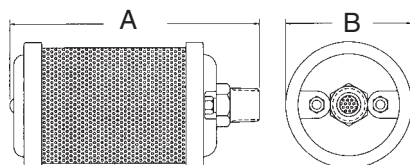
SPECIFICATIONS

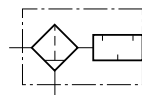
| | |
|-----------------|---|
| FLUID | Compressed air or neutral gas |
| PORTS | G 1/2 to G 2 |
| MAX. PRESSURE | 10 bar |
| TEMPERATURE | -40 °C (with dry air only - otherwise danger of icing) to max. +145 °C |
| MAX. FLOW | 7240 to 90600 l/min (ANR) |
| NOISE REDUCTION | > 85% |



SEHB High Flow Air Muffler max 10 bar

| Thread G | Chambers | A mm | B mm | Weight kg | Flow at 6,2 bar l/min (ANR) | code |
|-------------|----------|---------|---------|--------------|--------------------------------|---------|
| 1/2 | 1 | 152 | 80 | 0,34 | 7240 | SE50HB |
| 3/4" | 1 | 183 | 86 | 0,45 | 15400 | SE75HB |
| 1" | 1 | 222 | 98 | 0,59 | 22600 | SE100HB |
| 1 1/4" | 1 | 222 | 98 | 0,61 | 38500 | SE125HB |
| 1 1/2" | 1 | 344 | 133 | 1,45 | 58900 | SE150HB |
| 2" | 1 | 479 | 133 | 1,86 | 90600 | SE200HB |





USE

Designed to reduce undesirable effects caused by discharges from compressed air installations:

- Reduces noise level of compressed air release
- Reduces pollution by eliminating solid particles and oil aerosols

SPECIFICATION

| | |
|----------------------------|---|
| FLUID | : Compressed air |
| CONNECTION | : G 1/2 to G 1 1/4 |
| MAX. PRESSURE | : 16 bar |
| OPERATING TEMPERATURE | : -5 °C to +50 °C |
| MAX. DIFFERENTIAL PRESSURE | : 0,5 bar |
| FILTRATION | : 99,99 % of particles > 0,3 µm |
| MAX. FLOWRATE | : 1300 to 3300 l/min (ANR) ⁽¹⁾ |
| NOISE REDUCTION | : > 40 dB (A) ⁽²⁾ |
| PRESSURE DROP | : See characteristic curve |

RECOMMENDATION

- Assemble in vertical position (slope: 15° max.).
- Load loss due to clogging of cartridge must not exceed 0,5 bar, in which case replace cartridge.
- Insert cartridge manually to avoid any damage to it during replacement.

CONSTRUCTION

Condensates are automatically drained once they exceed a given level. The drain may however be activated manually by turning the knurled switch (1/4 turn).

- Aluminium housing and polypropylene (PP) bowl.
- Filter element: fibrous texture bonded by a plastic resin.
- Sealed by a rubber gasket.

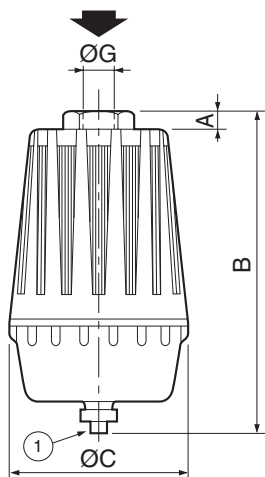
CHOICE OF EQUIPMENT

| pipe size | max. flowrate l/min (ANR) ⁽¹⁾ | catalogue number |
|-----------|---|------------------|
| G 1/2 | 1300 | 34600213 |
| G 3/4 | 1600 | 34600214 |
| G 1 | 2900 | 34600215 |
| G 1 1/4 | 3300 | 34600216 |

(1) Flow at Normal Atmospheric reference Pressure to ISO R554-558 standards

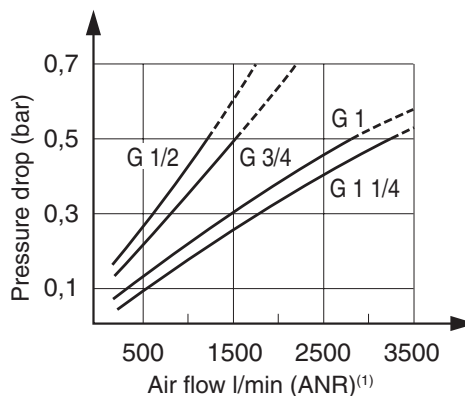
(2) Tested with an input pressure of 5 bar, an air flow of 2000 l/min (ANR)⁽¹⁾ with a distance of 1 meter

DIMENSIONS (mm), WEIGHT (kg)



| Ø G | A | B | C | (kg) |
|---------|----|-----|-----|-------|
| G 1/2 | 12 | 180 | 90 | 0,600 |
| G 3/4 | 12 | 180 | 90 | 0,560 |
| G 1 | 15 | 250 | 110 | 1,070 |
| G 1 1/4 | 30 | 270 | 110 | 1,120 |

① Drain



PRESENTATION

- 99% oil removal efficiencies
- 25 dBA noise reduction
- High exhaust flow rates
- low differential back pressures
- top performer in automated paint systems
- 1 µm filtration
- Manual or continuous drain option

UTILISATION

The Numatics Reclassifier is an exhaust coalescing filter/silencer. Its design removes oil mist and reduces noise from exhaust ports on pneumatic air valves, cylinders, and air control systems at extremely high flow rates.

The Numatics Reclassifier can be mounted to exhaust ports on any valve or manifold using a common exhaust base or by combining exhaust ports. Mounting it vertically fully utilizes the oil-catching sump surrounding the filter element and provides easy draining.



SPECIFICATIONS

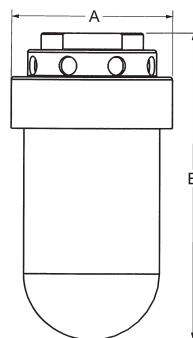
| | |
|------------------|---------------------------------|
| FLUID | : Compressed air or neutral gas |
| PORTS | : G 1/2 à G1 1/4 |
| MAX. PRESSURE | : 7 bar |
| MAX. TEMPERATURE | : +50 °C |
| FILTRATION | : 99 % oil removal |
| MAX. FLOW | : 6550 to 10900 l/min (ANR) |
| NOISE REDUCTION | : > 25 dB (A) |
| PRESSURE DROP | : See characteristic curve |

CHOICE OF EQUIPEMENT

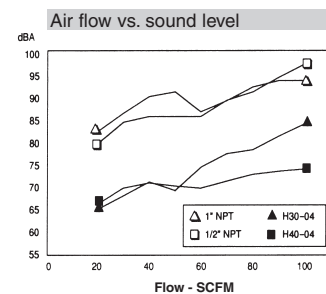
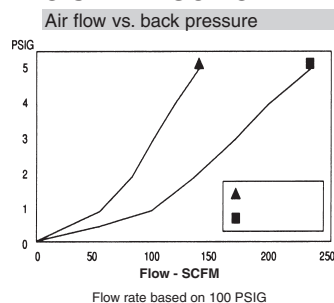
| pipe size | max. flowrate l/min (ANR) | catalogue number |
|-----------|------------------------------|------------------|
| G 1/2 | 6550 | H30G04 |
| G 3/4 | | H30G06 |
| G 1 | 10900 | H40G08 |
| G 1 1/4 | | H40G10 |

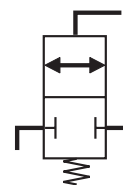
DIMENSIONS (mm)

| Ø G | A | B |
|--------|------|-------|
| G1/2 | 64,0 | 178,0 |
| G3/4 | 64,0 | 178,0 |
| G1 | 95,0 | 203,0 |
| G1 1/4 | 95,0 | 203,0 |



AIR FLOW VERSUS BACK PRESSURE AND NOISE REDUCTION



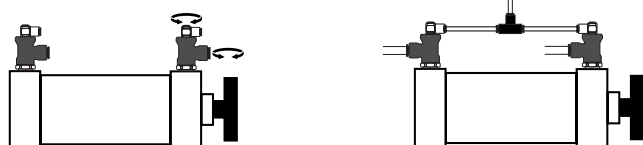


FEATURES

- Air-operated, monostable, normally-closed 2/2 valve
- Blocking fittings can be used to interrupt the circulation of compressed air
- **When installed in pairs**, they ensure that the cylinder stops as soon as pilot pressure is lost
- They can be used to lock the load in the event of loss of the pressure supply or to set a cylinder to intermediate stable positions

INSTALLATION

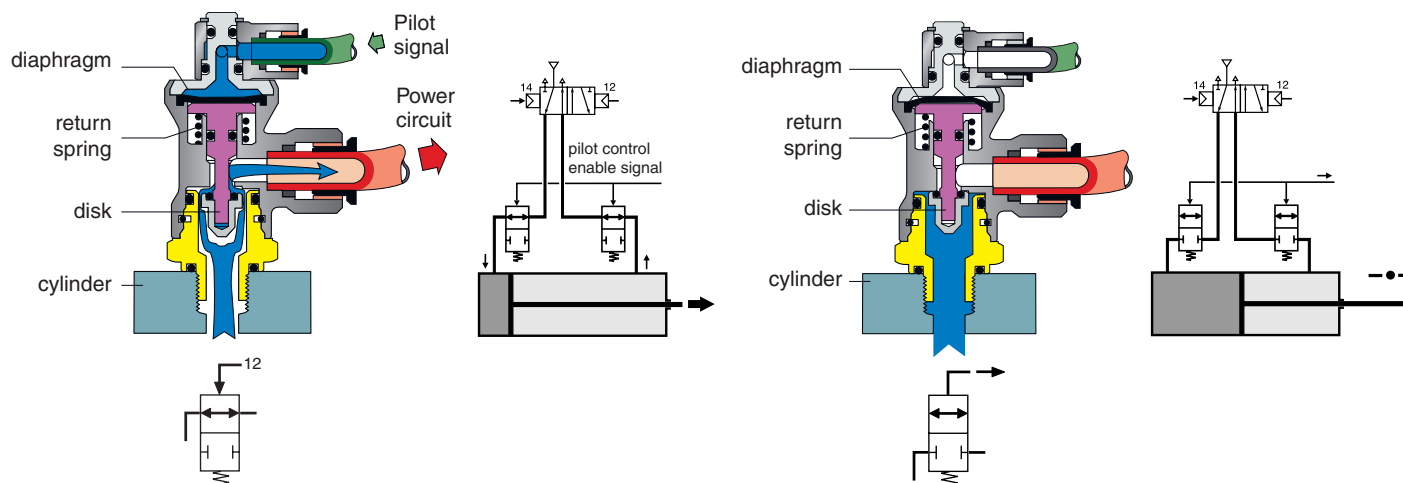
- Directly fitted to cylinder ports for compact installation
- Fully orientable on all ports to adapt to any pneumatic connection configuration



OPERATING PRINCIPLE

Cylinder in movement (pilot pressure applied)

Cylinder locked (no pilot pressure)

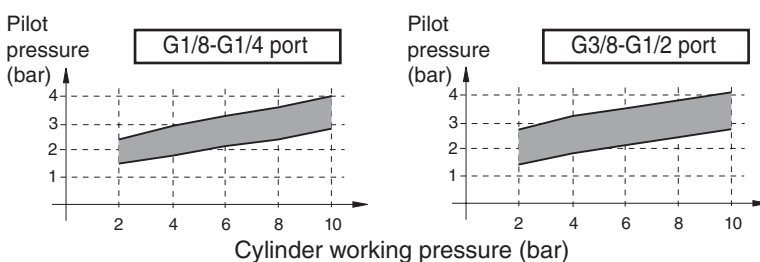


CONSTRUCTION

- MEDIUM** : Lubricated or unlubricated filtered neutral gas or air
- OPERATING PRESSURE** : 10 bar max.
- PILOT PRESSURE** : 1.5 to 4 bar
- TEMPERATURE** : -20°C to +70°C
- FLOW (Qv at 6 bar)** : see table below
- LEAK RATE** : <0.2 l/h
- BODY** : treated brass
- DIAPHRAGM AND SEALS** : Nitrile (NBR)

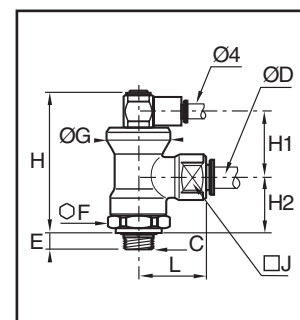
Piloting on/off thresholds

depending on cylinder working pressure



SPECIFICATIONS - DIMENSIONS

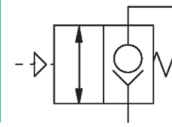
| Port size ØC | Coupler size ØD | Flow at 6 bar l/min (ANR) | catalogue number | Dimensions | | | | | | | | Weight (kg) |
|-----------------|--------------------|------------------------------|------------------|------------|--------|--------|----|------|----|--------|------|-------------|
| | | | | E | F Ø | G Ø | H | H1 | H2 | J □ | L | |
| G1/8 | 6 | 650 | 34602448 | 5,5 | 21 | 24 | 53 | 24,5 | 21 | 17 | 28 | 0,127 |
| G1/4 | 8 | 650 | 34602450 | 6,5 | 21 | 24 | 53 | 24,5 | 21 | 17 | 28 | 0,124 |
| G3/8 | 8 | 650 | 34602451 | 7,5 | 21 | 24 | 53 | 24,5 | 21 | 17 | 28 | 0,128 |
| G3/8 | 10 | 1600 | 34602452 | 7,5 | 24 | 28 | 56 | 25 | 25 | 27 | 35 | 0,214 |
| G1/2 | 12 | 1600 | 34602453 | 9 | 24 | 28 | 56 | 25 | 25 | 27 | 37,5 | 0,221 |



Port connection pushing fittings and power at pilot ports

All leaflets are available on: www.asco.com

00222GB-2017/R01
Availability, design and specifications are subject to change without notice. All rights reserved.



GENERAL INFORMATION

- Pilot Operated Check Valves for Cylinder
- Mounting for pneumatic use

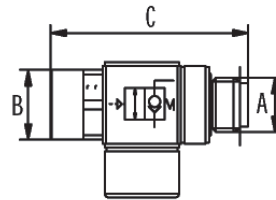
SPECIFICATION

| | |
|-----------------------|--|
| INTERNAL TURNED PARTS | : Brass |
| EXTERNAL TURNED PARTS | : Zink plated brass |
| PLATING | : Galvanic zink |
| SPRINGS | : Stainless steel |
| STAMPED PARTS | : Stainless steel |
| PLASTIC PARTS | : PA |
| SEALING ELEMENTS | : NBR |
| SUITABLE FLUIDS | : Compressed air, lubricated or not lubricated |
| OPERATING PRESSURE | : 1 to 10 bar |
| TEMPERATURE RANGE | : -10 to +70 °C |



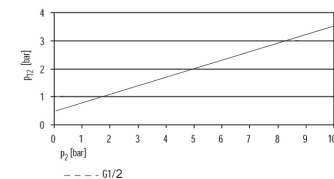
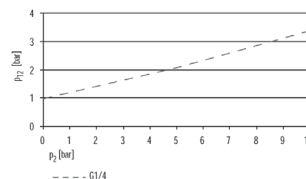
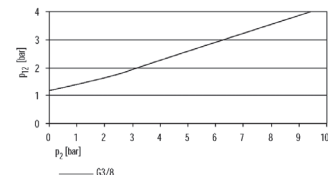
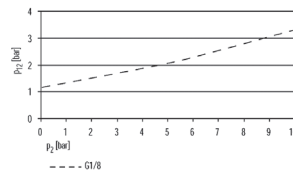
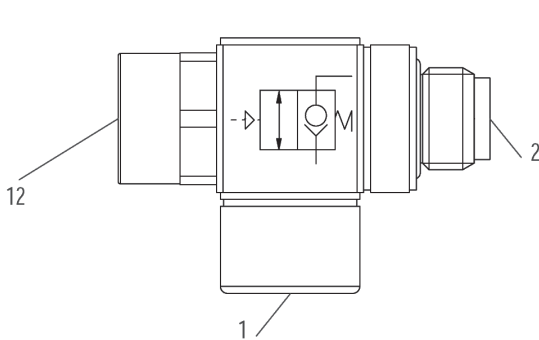
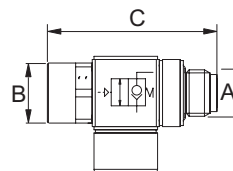
NCPPG Pilot Operated Check Valve, Push-In Fitting

| catalogue number | Thread A G | B SW | C mm | Max. tightening torque Nm | Pilot port thread | E Ø mm |
|------------------|------------|------|------|---------------------------|-------------------|--------|
| NCPPG-004-000 | 1/8" | 13 | 41 | 10 | M5 | 4 |
| NCPPG-006-000 | 1/8" | 13 | 41 | 10 | M5 | 6 |
| NCPPG-008-000 | 1/8" | 13 | 41 | 10 | M5 | 8 |
| NCPPG-006-001 | 1/4" | 17 | 48 | 12 | M5 | 6 |
| NCPPG-008-001 | 1/4" | 17 | 48 | 12 | M5 | 8 |
| NCPPG-010-001 | 1/4" | 17 | 48 | 12 | M5 | 10 |
| NCPPG-008-002 | 3/8" | 22 | 55 | 20 | M5 | 8 |
| NCPPG-010-002 | 3/8" | 22 | 55 | 20 | M5 | 10 |



NCPGG Pilot Operated Check Valve, Thread (fem.)

| catalogue number | Thread A G | B SW | C mm | Max. tightening torque Nm | Pilot port thread | D |
|------------------|------------|------|------|---------------------------|-------------------|------|
| NCPGG-000-000 | 1/8" | 13 | 41 | 10 | M5 | 1/8" |
| NCPGG-001-001 | 1/4" | 17 | 48 | 12 | M5 | 1/4" |
| NCPGG-002-002 | 3/8" | 22 | 55 | 20 | M5 | 3/8" |
| NCPGG-003-003 | 1/2" | 27 | 65.5 | 30 | M5 | 1/2" |



Signal pressure characteristics min. signal pressure p_{12} to open the valve $p_1 = 7$ bar

Flow from 2 to 1 (SLPM)
 $p_1 = 5$ bar $p_2 = 6$ bar $p_{12} = 6$ bar

| | | | |
|------|------|------|------|
| G1/8 | G1/4 | G3/8 | G1/2 |
| 289 | 676 | 1156 | 1910 |

Flow from 1 to 2 (SLPM)
 $p_1 = 5$ bar $p_2 = 6$ bar $p_{12} = 0$ bar

| | | | |
|------|------|------|------|
| G1/8 | G1/4 | G3/8 | G1/2 |
| 128 | 617 | 1168 | 1888 |

FEATURES

- The Quick Exhaust Valves SEV C increases the working speed of pneumatics cylinders. It must be mounted directly on the port of the cylinder to achieve the maximum possible speed.

SPECIFICATION

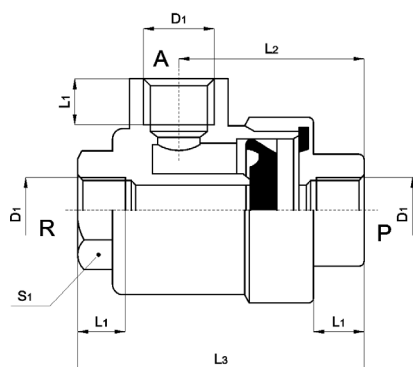
| | |
|-------------------|---|
| FLUID | : Filtered air with or without lubrication |
| PRESSURE RANGE | : 1 - 10 bar |
| TEMPERATURE RANGE | : -20 °C to +70°C |
| MOUNTING | : Preferably directly on the port of the cylinder |
| MATERIALS | : Body: Nickel plated brass |
| SEALS | : Diaphragm: Polyurethane, optionally VITON |
| WASHER | : NBR |



| thread D1 (G) | diaphragm material * | L1 (mm) | L2 (mm) | L3 (mm) | S1 (mm) | catalogue number |
|------------------|-------------------------|------------|------------|------------|------------|------------------|
| 1/8 | PU | 7,5 | 27 | 42 | 15 | SEV10C |
| 1/4 | PU | 11 | 35 | 54 | 19 | SEV25C |
| 3/8 | PU | 11 | 35 | 54 | 19 | SEV37C |
| 1/2 | PU | 14 | 45 | 72 | 26 | SEV50C |
| 3/4 | PU | 16,3 | 53 | 87 | 32 | SEV75C |
| 1 | PU | 18 | 70 | 108 | 46 | SEV100C |

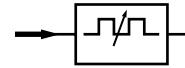
* Viton® on request
(Viton® is a registered trademark of Dupont Performance Elastomers)

DIMENSIONS (mm)



00624GB-2017/R01
Availability, design and specifications are subject to change without notice. All rights reserved.

All leaflets are available on: www.asco.com

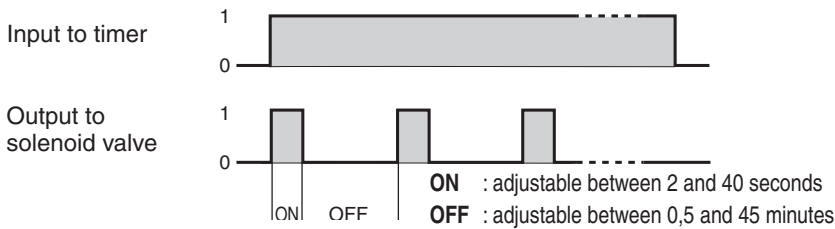


FEATURES

- This electronic timer, which generates adjustable pulses, is particularly suited for automatic control of draining of an air dryer or compressor. Indeed, when energised, it can initiate operation of the solenoid valve for the time necessary for draining condensates at regular adjustable intervals
- Other applications include irrigation, air blasting etc.
- Fits directly to any solenoid valve with standardised ISO 4400 / DIN connection, between coil and power connector

GENERAL / OPERATION

Converts a continuous power input into a succession of on-periods (ON), adjustable between 2 to 40 seconds and off-periods (OFF), adjustable between 0,5 to 45 minutes.



CONSTRUCTION

Housing (1)

PA (polyamide)

Electrical connection

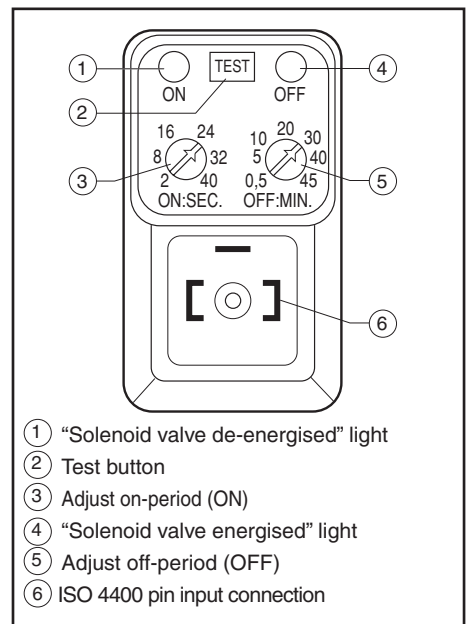
2 pins + earth to ISO 4400 for use with a connector to ISO 4400/EN 175301-803, form A (connector not supplied)
CSA

Agreement

ELECTRICAL CHARACTERISTICS

- Standard voltages: 24 V to 240 V DC or AC (50/60 Hz)
- Max. inrush current: 10 A during 10 ms
- Consumption: 4 mA max.
- Repeatability: ± 0,1%
- Scale accuracy: ± 10%

| electrical connection | max. power (I max. = 1A) | ambient temperature range | protection degree |
|-----------------------|---|---------------------------|-------------------|
| ISO 4400 | 24 VA (with 24 V) to 240 VA (with 240 V) | -10°C to +50°C | IP65 |



- ① "Solenoid valve de-energised" light
- ② Test button
- ③ Adjust on-period (ON)
- ④ "Solenoid valve energised" light
- ⑤ Adjust off-period (OFF)
- ⑥ ISO 4400 pin input connection

SPECIFICATIONS

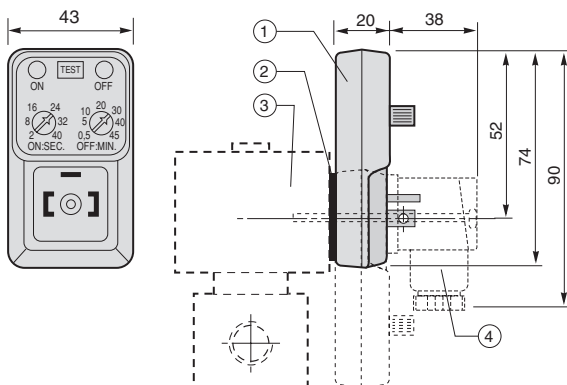
| description | catalogue number |
|--|------------------|
| Electronic timer with auxiliary manual control for solenoid valve with ISO 4400 pin coil | 88122627 |

(1) The pin arrangement of the timer enables rotation by increments of 180° in relation to the solenoid valve to which it is connected.

INSTALLATION

- If the width of the solenoid valve permits, the timer can be rotated about the connection axis by 180° increments
- Take care to fit properly the coil/timer seal and the connector seal
- Observe maximum power rating
- ISO 4400/EN 175301-803, form A, connection

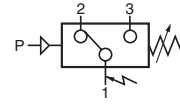
DIMENSIONS (mm), WEIGHT (kg)



- ① Timer rotatable by 180° increments
- ② Seal
- ③ Solenoid valve with ISO 4400 standardised pin coil
- ④ Connector rotatable by 90° increments (not supplied)

Weight: 0,054 (without connector)

00146GB-2017/R01
Availability, design and specifications are subject to change without notice. All rights reserved.



GENERAL

PROTECTION

AND STATUS INDICATORS

| | | |
|------------------|--|------|
| | WITHOUT | WITH |
| FLUID | : Air or neutral gas, filtered, lubricated or dry | |
| PRESSURE SETTING | : 0,5 to 10 bar (0,2 - 6 bar on request) | |
| HYSTERESIS | : 0,4 bar at the beginning of adjustment range 1 bar at the end of adjustment range | |

| | |
|---------------------------|---|
| MAX. PRESSURE (PMA) | : 10 bar or 16 bar |
| OPERATING TEMPERATURE | : -10°C; +60°C : 0°C, +60°C |
| MAX. VOLTAGE | : 250 V - AC/DC : 24 V DC |
| CURRENT BREAKING CAPACITY | : 5 A - 250 V resistive : 2 A - 24 V DC resistive |
| PROTECTION DEGREE | : IP65 |
| MOUNTING POSITIONS | : all positions |
| MAX. SPEED | : 60 cycles per minute |

CONSTRUCTION

Bodies: PC (polycarbonate) / aluminium for 16 bar version

Nitrile (NBR) seals

Commutator (reversing switch) •at rest : contact 1 - 2 made
•at work : contact 1 - 3 made

Mechanical service life: 5.10⁶ contacts

Pressure set by set screw and lock-nut

SPECIFICATIONS

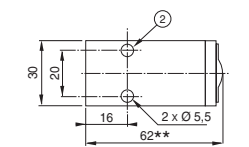
| Type | Designation | Pressure setting (bar) | catalogue number | |
|------|--|------------------------|--------------------|-----------------|
| | | | Without protection | With protection |
| | Adjustable pressure switch with side pneumatic connection, tapped G1/4 | 0,2 - 6 | 34900015 | - |
| | | 0,5 - 10 | 34900018 | 34900019 |
| | | 0,5 - 16 | 34900021 | - |
| | Adjustable pressure switch with subbase mounted pneumatic connection (version adaptable on FRL) | 0,5 - 10 | 34900030 | 34900031 |

DIMENSIONS AND WEIGHT

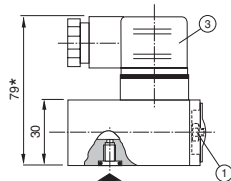
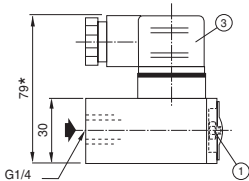
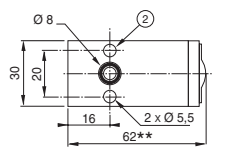
Weight: 110 g

Version **without** protection and status indicators

Tapped

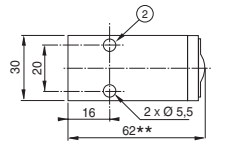


subbase mounted

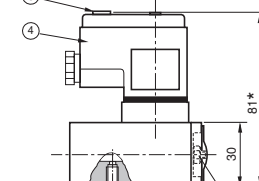
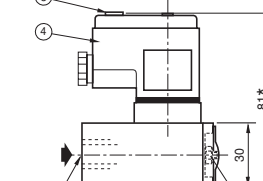
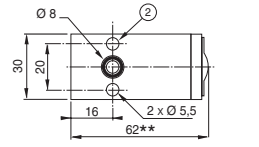


Version **with** protection and status indicators

Tapped

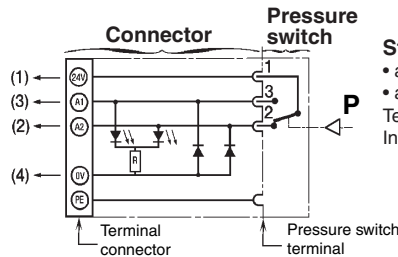


subbase mounted



- ① Pressure set screw (spanner for hexagon nuts: 3 mm)
- ② 2 holes Ø 5,5 for mounting
- ③ ISO4400 size 30 connector, 4 terminals, rotatable by 90°
- * +15 mm for connector clearance
- ** +2 mm for 0,5 - 16 bar version

ELECTRICAL DIAGRAM



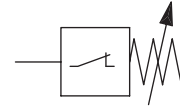
Status indicated by two diodes :

- at rest : contact 1-2 made: orange diode lights
- at work : contact 1-3 made: red diode lights

Terminal connection for 1,5 mm² wire
Integrated interference blanking

- ① Pressure set screw (spanner for hexagon nuts: 3 mm)
- ② 2 holes Ø 5,5 for mounting
- ③ Identification label holder
- ④ ISO 4400 size 30 connector, 4 terminals (not rotatable)
- * +15 mm for connector clearance
- ** +2 mm for 0,5 - 16 bar version

All leaflets are available on: www.asco.com



GENERAL

| | |
|---|---|
| Fluid | Air or neutral gas, filtered, lubricated or dry |
| Maximum allowable pressure (MAP) | 16 bar |
| Control range | 0 - 10 bar |
| Fluid temperature | -10°C to +60°C |
| Max. speed | 60 cycles per minute |
| Hysteresis | 0,2 bar at the beginning of control range |
| Mechanical service life | 10 ⁶ contacts |
| Mounting positions | All positions |

CONSTRUCTION

| | |
|---------------------|-----------------------|
| Body | Steel |
| Seals | FPM (fluoroelastomer) |
| Pressure set | By set screw |

ELECTRICAL CHARACTERISTICS

| | |
|------------------------------|---------------|
| Max. switched voltage | 48 V DC |
| Max. switched current | 0,5 A |
| Electric contact | Plated silver |

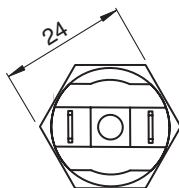
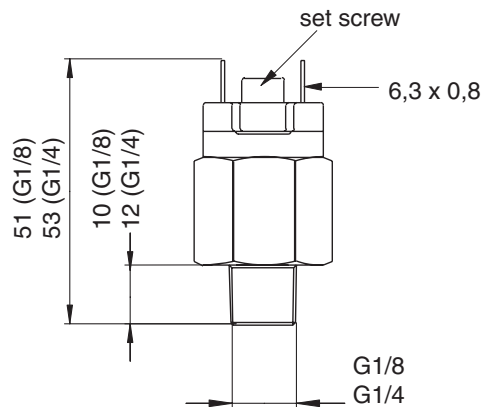
SPECIFICATIONS

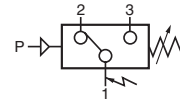
| designation | | control range (bar) | maximum allowable pressure (MAP) (bar) | catalogue number |
|--|-------|------------------------|--|---------------------|
| Diaphragm pressure switch, NC, adjustable, pneumatic connection | G 1/8 | 1 - 10 | 16 | 34900048 |
| | G 1/4 | | | 34900049 |



DIMENSIONS (mm), WEIGHT (kg)

| |
|---------------|
| weight |
| 0,065 |





GENERAL

FLUID : air or neutral gas, filtered, not lubricated, free of condensate
 CONNECTION : G1/8
 PRESSURE RANGE : 0 to 10 bar
 MAX. OVERPRESSURE : 15 bar
 OPERATING TEMPERATURE : 0°C, +50°C (storage: -20°C, +60°C)
 ELECTRICAL CONNECTION : 4-pin M8 connector
 SUPPLY VOLTAGE : 12 to 24 volts, max. ripple 10%, reverse voltage protection
 CONSUMPTION : < 55mA
 VOLTAGE SPIKE : 350 V Peak, 1µs
 ACCURACY : +/- 200 mbar (2% of full range)
 DIGITAL DISPLAY : 3-digit - 7 segments - display frequency : 5 Hz
 UNITS OF MEASURE : bar - psi - MPa - kgf/cm²
 OUTPUTS : 2 PNP outputs selectable NO or NC, max. load current 80 mA, 30 V, with overcurrent protection, status indication by LED

2 OUTPUT MODES

RESPONSE TIME : < 2,5 ms - 24 ms - 192 ms - 768 ms
 PROTECTION DEGREE : IP65
 VIBRATION RESISTANCE : 10 to 55 Hz, 1.5 mm, XYZ, 2 hours
 SHOCK RESISTANCE : 980 m/s² (100G), XYZ

CHARACTERISTICS

Recording of peak value and bottom value
 Lockout feature

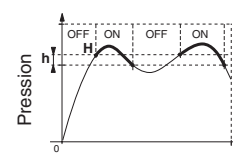
CONSTRUCTION

Polycarbonate body (PC)
 NBR (nitrile) sealings



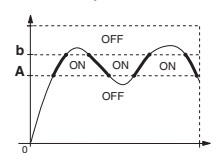
OPERATING

Hysteresis mode



H = Switch point
 h = hysteresis

Comparator mode



b = upper threshold
 A = lower threshold

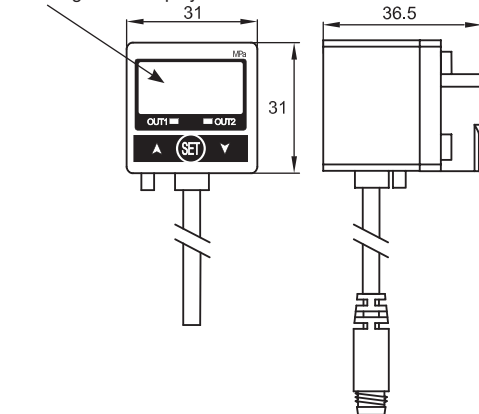
SPECIFICATIONS

| description | catalogue number |
|---|------------------|
| electronic pressure switch with digital display adjustable from 0 to 10 bar, pneumatic connection G1/8 (delivered with 2 brackets, 1 plug G1/8) | 34900050 |
| panel mounting kit for electronic pressure switch | 88100967 |
| straight female connector Ø M8, 4 wires, IP65, with 5 m PVC lead (other end plain) | 88157771 |

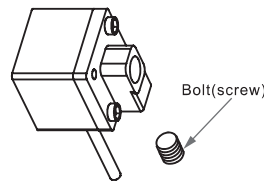
DIMENSIONS AND WEIGHT

Weight: 105 g

3 1/2" digit LED Display



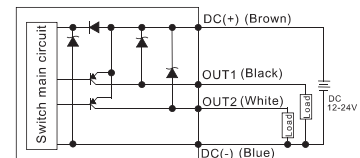
2 inlet pressure ports G1/8



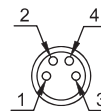
ELECTRICAL DIAGRAM

Pressure switch User connection

PNP output



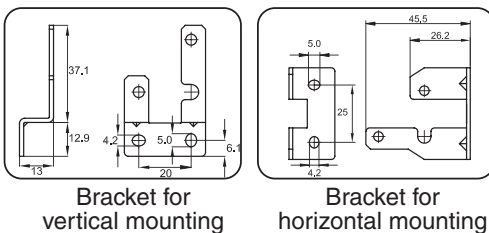
ELECTRICAL CONNECTION



1 = brown (V +)
 2 = white (output 2)
 3 = blue (V -)
 4 = black (output 1)

ACCESSORIES

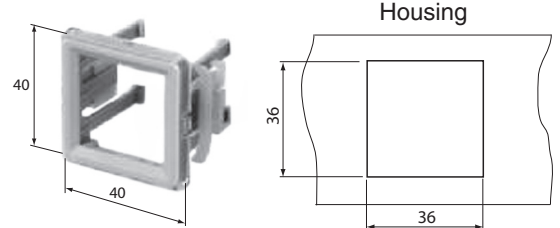
BRACKET MOUNTING



Bracket for vertical mounting

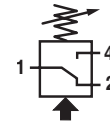
Bracket for horizontal mounting

PANEL MOUNTING KIT



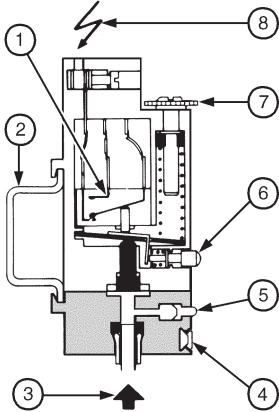
Housing

All leaflets are available on: www.asco.com



FEATURES

- This interface will change a pneumatic signal into an electrical signal.
- Equipment can be fitted on standard symmetrical rail



- ① Standard microswitch 5A/230 V
- ② Symmetrical rail EN 50022
- ③ Pneumatic signal
- ④ Marking tag
- ⑤ Visual indication of pneumatic input
- ⑥ Manual override
- ⑦ Adjustment of switching pressure 1 to 8 bar
- ⑧ Electrical signal : - common
- normal closed contact
- normal open contact



GENERAL

Switching pressure

Adjustable from 1 to 8 bar

Hysteresis

15% at 4 bar

Switching capability

5 A - 230 V (Resistive)

Ambient temperature

-10°C to +50°C

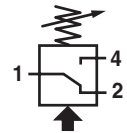
Electrical connections

3 screw terminals (IP20)

Maximum wire size

0,75 mm²

CONNECTIONS

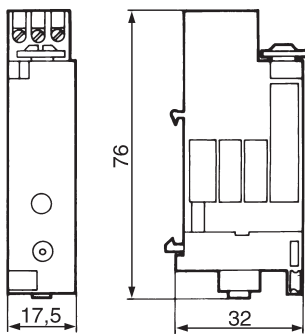


CHOICE OF EQUIPMENT

| designation | code |
|--|----------|
| pneumatic, electric interface with manual override | 30400009 |
| 50 blank marking tags | 33400042 |

DIMENSIONS (mm), WEIGHT (kg)

| weight |
|--------|
| 0,048 |



PRESSURE REGULATOR

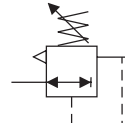
- Board-mounting available (drilling 12,2 mm dia.)
- Control range 0,5 to 8 bar
- Body with two optional ØM5 side-outlets

PRESSURE GAUGE

Back coupling R1/8

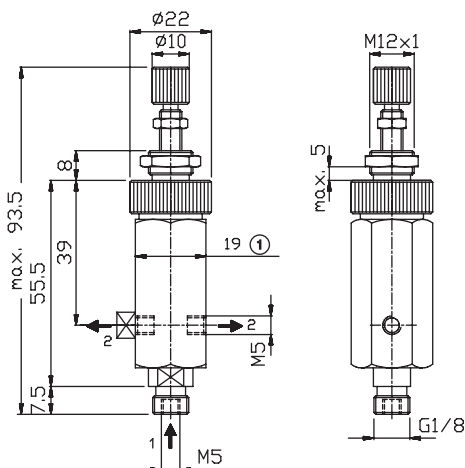
FLOWRATE REDUCING-VALVE

- In line, fitted ØM3
- Flowrate reducing-valve orientable, directly adjustable on cylinder, ØM3



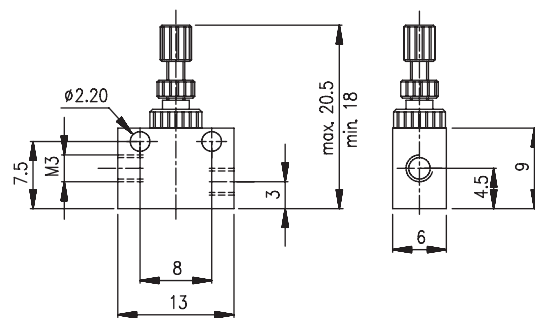
| Description | Connection | Control range (bar) | Flow (l/min - ANR) | Allowable temperature | Materials | CODES |
|---|--|-----------------------------|--|-----------------------|--|-----------------|
| Pressure regulator | Input: female M5 or male G 1/8 Output: female 2 x M5 | 0,5 - 8 ($p_{max}=16$) | 120 (with $p_1=8$ bar $p_2=6$ bar) | 0°C, + 60°C | Body: Al + Brass Internals parts: Brass + Steel Seal: NBR (nitrile) | 34201802 |
| Pressure gauge Ø 40 | R 1/8 | 0 - 10 | — | -20°C, + 80°C | Body Black polyester | 34300014 |
| Reducing-valve for pressure gauge | G 1/8-M5 | — | — | — | Nickeled brass | 34600372 |
| Flowrate reducing- valve | in line M3 | 0 - 8 | 30 | + 5°C, + 50°C | Body: Nickeled brass Rod: Nickeled brass | 34600320 |

PRESSURE REGULATOR Ø M5-G1/8

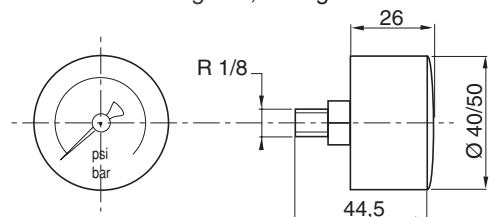


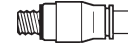
- Delivered with 1 screw-plug, M5 dia.
- Weight: 90 g
- ①: Dimensions on flats

FLOWRATE REDUCING-VALVE Ø M3 IN LINE Weight: 10 g



PRESSURE GAUGE Weight: 0,065 kg



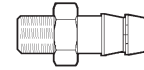


COUPLING CONNECTORS

Material: Nicked brass

| Designation | Dimensions | Connector | | CODES (by sets of 10 parts) |
|----------------------------------|------------|---------------------|-------------------------|--------------------------------|
| | | Mounting ØC (mm) | Tube (out.Ø) ØD (mm) | |
| Straight male tapping | | M3 | 3 | 34600354 |
| Compact square with male tapping | | M3 | 3 | 34600356 |
| Raised square with male tapping | | M3 | 3 | 34600358 |
| Tee with centered male tapping | | M3 | 3 | 34600359 |
| | | M5 | 3 | 34600360 |
| Tee with end male tapping | | M3 | 3 | 34600361 |
| Equal double union | | — | 3 | 34600363 |
| Equal square | | — | 3 | 34600364 |
| Equal tee | | — | 3 | 34600365 |
| Snap-in plug | | — | 3 | 34600367* |
| Simple banjo connector | | M3 | 3 | 34600368 |

* by set of 50 pieces



THREADED AND HOSE-CONNECTORS

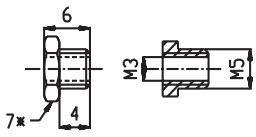


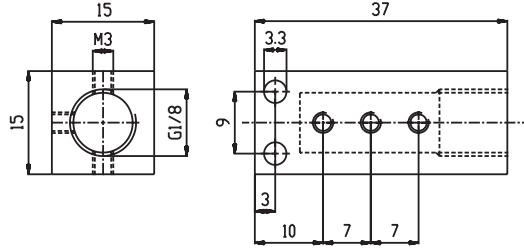
Material: Nicked brass

| Designation | Dimensions | Connector | | CODES (by sets of 10 parts) |
|---------------------------------------|---|------------------|-------------------------|--------------------------------|
| | | Mounting (mm) | Tube (out.Ø) ØD (mm) | |
| Straight male tapping | <p>() : dimensions for M5 x 3 version (346 00 237)</p> | M3 | 2 | 34600235 |
| | | M3 | 3 | 34600236 |
| | | M5 | 3 | 34600237 |
| Equal double union | | — | 2 | 34600238 |
| | | — | 3 | 34600239 |
| Square with centered male tapping | <p>() : dimensions for M5 x 3 version (346 00 241)</p> | M3 | 2 | 34600240 |
| | | M5 | 3 | 34600241 |
| Equal tee | <p>() : dimensions for tube Ø3 (346 00 243)</p> | — | 2 | 34600242 |
| | | — | 3 | 34600243 |
| Female tee with centered male tapping | | M3 | — | 34600244 |
| Equal double male fitting | | M3-M3 | — | 34600245 |
| | | M5-M5 | — | 34600246 |

* sizes across flats

THREADED CONNECTORS

Material: Nickel brass

| Designation | Dimensions | Connection | CODES (by 10 parts packages) |
|--|---|----------------|---------------------------------|
| Adapter male M5 - female M3 |  | M3-M5 | 34600247 |
| Hexagon male plugs |  | M3 | 34600248 |
| | | M5 | 34600249 |
| Plastic washer |  | M3 | 34600250 |
| | | M5 | 34600251 |
| Distributing connector (9 or 12 ports) |  | G1/8 + 9 Ø M3 | 34600252** |
| | | G1/8 + 12 Ø M3 | 34600253** |

* sizes across the flats

** Supplied per unit



CONNECTORS

EN 175301-803, industry standard form B (11 mm)
ISO 4400 / EN 175301-803, form A (18 mm)
sizes 22 and 30

Series
881

FEATURES

- Spade connector sizes 22 and 30 to fit standardised three-pin moulded coils:
 - size 22, EN 175301-803, industry standard form B (11 mm), for coil types CM5, CM22, C22A, EMX and BMX
 - size 30, ISO 4400 / EN 175301-803 form A (18 mm), for coil types CM6, CMXX, CM12, CM25, C25A, CM30, CM40, ANX, AMX, JMX, FNX and FMX
- The connectors are available in three versions: standard rotatable version with or without integrated visual LED indicator and electrical protection, or version with non-rotatable 3-core moulded-in cable, 2 m long
- The standard connector size 30 is provided with a removable lid allowing access to the wiring for easy checking of power supply without unplugging the connector and without interrupting operation of the solenoid valve

GENERAL

Connector specification

size 22 (11 mm)

size 30 (18 mm)

Max. operating temperature

EN 175301-803 industry standard form B
ISO 4400 / EN 175301-803, form A
-40°C to +80°C (-40°C to +125°C⁽¹⁾ with silicone seal)
[version with moulded-in cable -5°C to +70°C]

CONSTRUCTION

Standard version

Enclosure with LED and protection

Enclosure with PVC cable

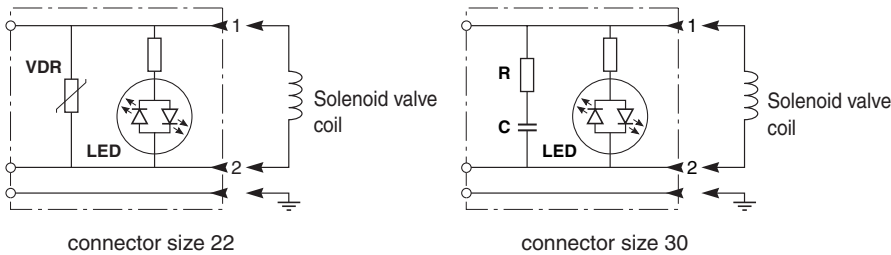
Seals

PA (polyamide), glass-fibre reinforced
PA
PA (polyamide), glass-fibre reinforced
NBR [option for size 30: VMQ (silicone)]

ELECTRICAL CHARACTERISTICS

| | Size 22 | Size 30 |
|---------------------------------|------------------|------------------|
| Number of contacts | 2 + common earth | 2 + common earth |
| Distance between contacts | 11 mm | 18 mm |
| Contact resistance | ≤ 4 m Ω | ≤ 4 m Ω |
| Connector | Spade plug | Spade plug |
| Electrical safety | IEC 335 | IEC 335 |
| Electrical enclosure protection | IP65 (EN 60529) | IP65 (EN 60529) |
| Number of wires (with cable) | 3 | 3 |

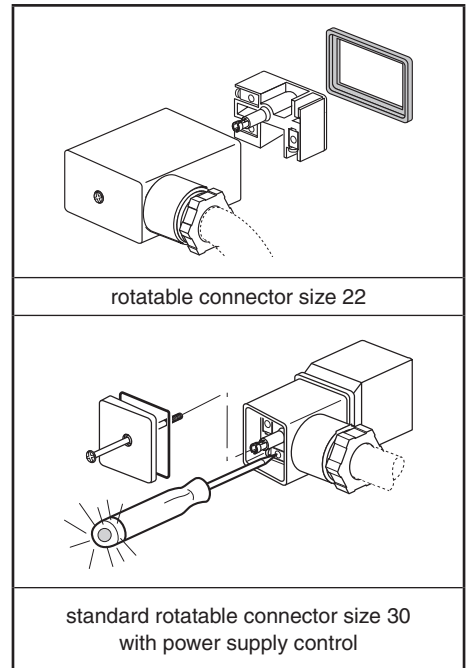
LED indicator and electrical protection diagrams



SPECIFICATIONS

| description | cable length | cable O.D. | | wire cross-section (mm ²) | max. voltage (V) | type | catalogue number | | |
|---|--------------|------------|---------|---------------------------------------|------------------|-------|------------------|-------------|----------------------------|
| | | size 22 | size 30 | | | | size 22 NBR | size 30 NBR | size 30 VMQ ⁽¹⁾ |
| Rotatable connector | | | | | | | | | |
| standard, without LED indicator | - | 6-8 mm | 6-10 mm | 1,5 | 250 | 01-02 | 88122404 | 88122602 | 88122625 |
| with integrated LED indicator and electrical protection | - | 6-8 mm | 8-10 mm | 1,5 | 12 | 01-02 | - | 88122611 | - |
| | | | | | 24 | | 88122603 | - | |
| | | | | | 48 | | 88122406 | 88122604 | - |
| | | | | | 115 | | 88122407 | 88122605 | - |
| 230 | 88122410 | 88122608 | - | | | | | | |
| Non-rotatable connector with cable | | | | | | | | | |
| without LED indicator | 2 m | - | - | 1,5 | 250 | 03-04 | 88122413 | 88122612 | - |

⁽¹⁾ For use within class H temperature limits.



VDR Varistor absorbing the self-inductance of the coil.
RC RC circuit absorbing the self-inductance of the coil.
LED Green light-emitting diode, bidirectional, signalling the presence of voltage across the coil terminals.

00142GB-2016/R02 Availability, design and specifications are subject to change without notice. All rights reserved.

All leaflets are available on: www.asco.com



青岛秉诚自动化设备有限公司
地址：中国·青岛市重庆南路99号海尔云街甲3号楼7F

服务热线：4006-918-365
网址：<http://www.ivalve.com>

Coils & Accessories - 25
传真：(86-532)585-10-365
Email：sales@bechinas.com

INSTALLATION

- The connectors can be mounted in any position without affecting operation

ORDERING EXAMPLES:

88122404
88122602
basic number _____

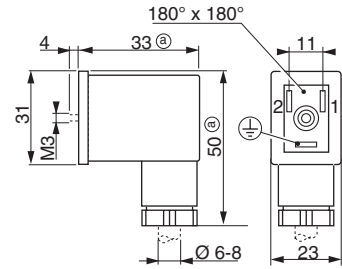
DIMENSIONS (mm), WEIGHT (kg)



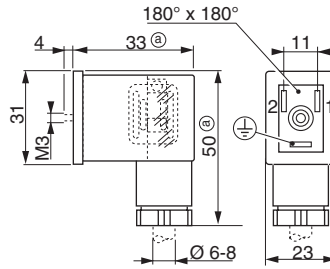
TYPE 01

Size 22 (11 mm)
EN 175301-803 industry standard form B
IP65

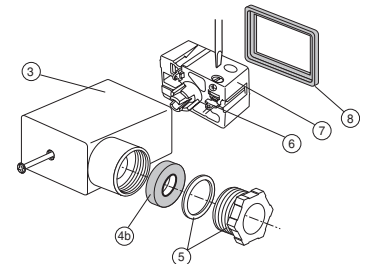
88122404



88122405/406/407/410



88122404/405/406/407/410



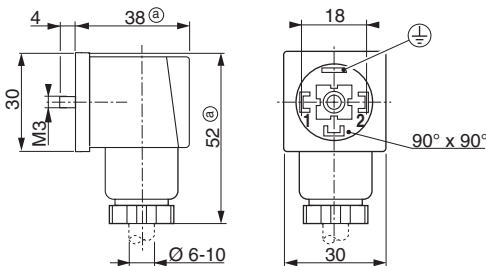
(a) Max. dimension.



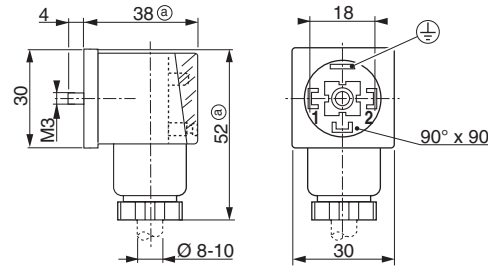
TYPE 02

Size 30 (18 mm)
ISO 4400 / EN 175301-803, form A
IP65

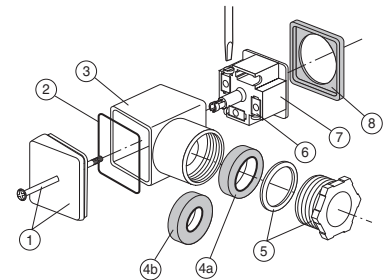
88122602/625



88122611/603/604/605/608



88122602/625



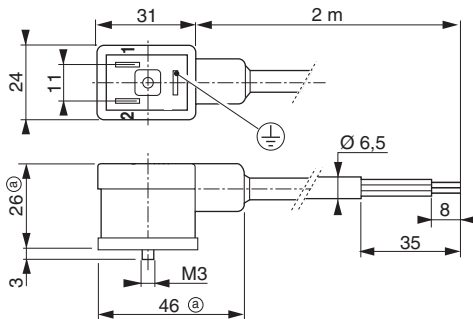
(a) Max. dimension.



TYPE 03

Size 22, flying leads (11 mm)
EN 175301-803 industry standard form B
IP65
(non-rotatable terminal holder)

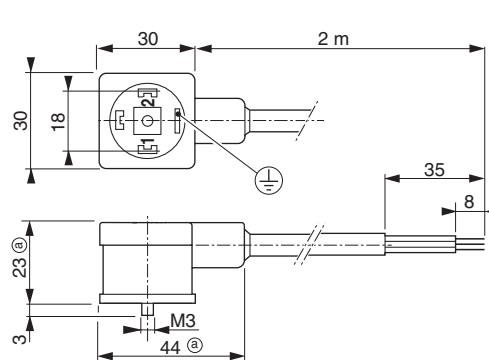
88122413



TYPE 04

Size 30, flying leads (18 mm)
ISO 4400 / EN 175301-803, form A
IP65
(non-rotatable terminal holder)

88122612



(a) Max. dimension.

| type | L (m) | weight ⁽¹⁾ | |
|------|-------|-----------------------|--------------------|
| | | without LED indicator | with LED indicator |
| 01 | - | 0,025 | 0,025 |
| 02 | - | 0,030 | 0,032 |
| 03 | 2 | 0,150 | - |
| 04 | 2 | 0,155 | - |

| sizes 03 and 04 | |
|-------------------|----------------|
| brown wire | terminal 1 (+) |
| blue wire | terminal 2 (-) |
| green/yellow wire | earth |

⁽¹⁾ Including seals and screws.

All leaflets are available on: www.asco.com



CONNECTORS

EN 175301-803, industry standard form C (9,4 mm)
EN 175301-803, form C (8 mm)
size 15

Series
881

FEATURES

- Spade connector size 15 to fit standardised three-pin moulded coils:
 - EN 175301-803, industry standard form C (9,4 mm), for coil type CM15 (series 202), DMX and series 302, 630, 519, 520, 521 and 578 (MEGA)
 - EN 175301-803, form C (8 mm), for series 302, 630 and 202
- The connectors are available in three versions: standard rotatable version, or version with non-rotatable 3-core moulded-in cable, 2 m or 5 m long, with or without integrated visual LED indicator and electrical protection

GENERAL

Connector specification

size 15, 9,4 mm pin spacing

size 15, 8 mm pin spacing

Max. operating temperature

EN 175301-803, industry standard form C

EN 175301-803, form C

-25°C to +60°C

[version with moulded-in cable -25°C to +60°C]



CONSTRUCTION

Standard version

PA (polyamide), glass-fibre reinforced

Enclosure with LED and protection

PA or PP

Enclosure with PVC cable

PP (polypropylene), glass-fibre reinforced

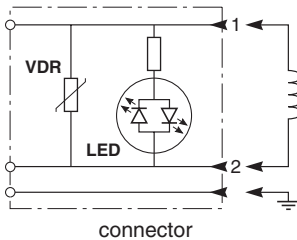
Seals

NBR

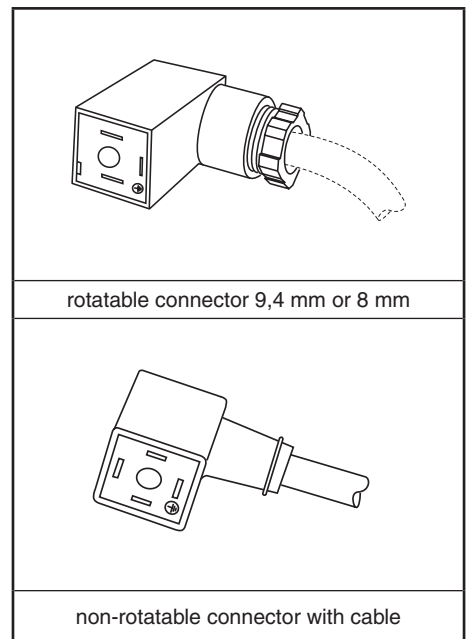
ELECTRICAL CHARACTERISTICS

| | Size 15 | Size 15 |
|---------------------------------|---------------------------------|------------------|
| Number of contacts | 2 + common earth ⁽¹⁾ | 2 + common earth |
| Distance between contacts | 9,4 mm | 8 mm |
| Contact resistance | ≤ 4 m Ω | ≤ 4 m Ω |
| Connector | Spade plug | Spade plug |
| Electrical safety | IEC 335 | IEC 335 |
| Electrical enclosure protection | IP65 (EN 60529) | IP65 (EN 60529) |
| Number of wires (with cable) | 3 | 3 |

LED indicator and electrical protection diagrams



VDR Varistor absorbing the self-inductance of the solenoid valve coil.
LED Green light-emitting diode, bidirectional, signalling the presence of voltage across the coil terminals.



SPECIFICATIONS

| description | cable length | cable O.D. | wire cross-section (mm ²) | max. voltage (V) | type | catalogue number | |
|---|--------------|------------|---------------------------------------|------------------|-------|------------------|----------------|
| | | | | | | size 15 | |
| | | | | | | 9,4 mm | 8 mm |
| Rotatable connector | | | | | | | |
| standard, without LED indicator | - | 4-6 mm | 0,6 | 250 V | 01-02 | 88143581 | 88130211 |
| Non-rotatable connector with cable | | | | | | | |
| without LED indicator | 2 m | - | 0,6 | 250 V | 03 | 88143567 | ⁽²⁾ |
| with integrated LED indicator and electrical protection | 2 m | - | 0,6 | 24 V | 04 | 88143580 | - |
| | 5 m | | | | | 88143593 | - |

⁽¹⁾ Version with 3 pins + earth, see our catalogue Fluid Automation Pneumatic Components, page P575.

⁽²⁾ Contact us

OPTIONS

- Connectors with cable, 5 m long, contact us

INSTALLATION

- The connectors can be mounted in any position without affecting operation

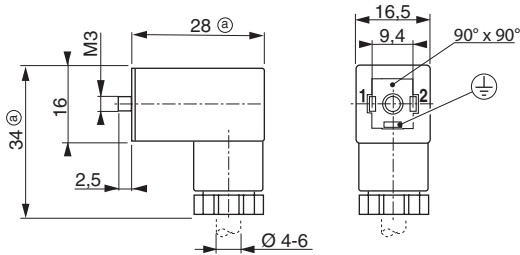
ORDERING EXAMPLES:

| |
|------------------------------------|
| 88143581 88130211 |
| basic number _____ |

DIMENSIONS (mm), WEIGHT (kg)

TYPE 01
 Size 15, 9,4 mm
 EN 175301-803, industry standard form C
 IP65

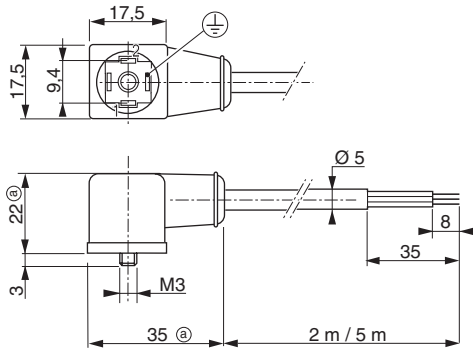
88143581



(a) Max. dimension.

TYPE 03
 Size 15, flying leads, without LED indicator
 EN 175301-803, industry standard form C (9,4 mm)
 IP65
 (non-rotatable terminal holder)

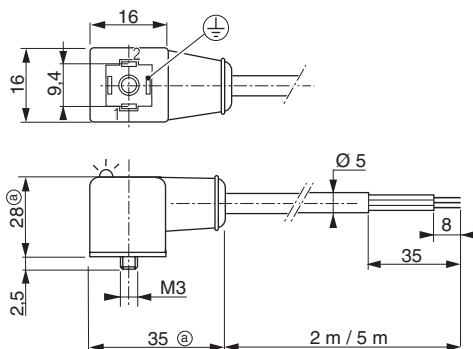
88143567



(a) Max. dimension.

TYPE 04
 Size 15, flying leads, with LED indicator
 EN 175301-803, industry standard form C (9,4 mm)
 IP65
 (non-rotatable terminal holder)

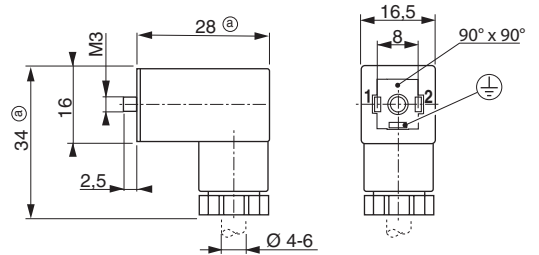
88143580/593



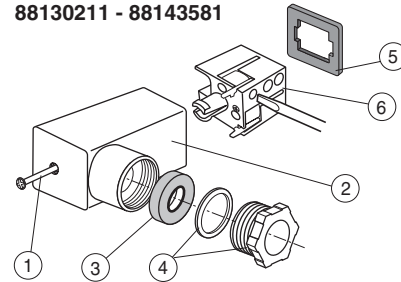
(a) Max. dimension.

TYPE 02
 Size 15, 8 mm
 EN 175301-803, form C
 IP65

88130211



88130211 - 88143581



- ① Fastening screw
- ② Enclosure
- ③ Seal for cable dia. 4 to 6 mm
- ④ Stuffing box washer and nut
- ⑤ Connector seal
- ⑥ Terminal holder
- ⑦ Cable connection terminal

| type | L (m) | weight ⁽¹⁾ | |
|---------|----------|-----------------------|--------------------|
| | | without LED indicator | with LED indicator |
| 01 - 02 | - | 0,015 | - |
| 03 | 2 | 0,100 | - |
| 04 | 2 | - | 0,100 |
| | 5 | - | 0,220 |

⁽¹⁾ Including seals and screws.

| sizes 03 and 04 | |
|-------------------|----------------|
| brown wire | terminal 1 (+) |
| blue wire | terminal 2 (-) |
| green/yellow wire | earth |

All leaflets are available on: www.asco.com

GENERAL

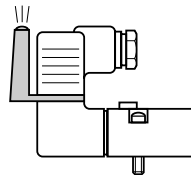
The built-in module of visual indication (LED) and electrical protection can be fitted on any solenoid valve or spool valve equipped with 2 terminals + 1 earth, size 15, among the following :

- Spool valve 5/2 - 5/3 Ø M5 - series 519
- Spool valve 5/2 - 5/3 G 1/8 - series 520
- Spool valve 5/2 - 5/3 G 1/4 - series 521

MOUNTING

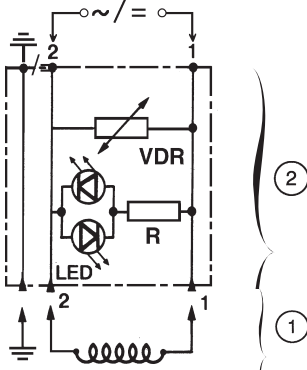


Mounting of the module between the connector and the solenoid valve (rotatable x 180°)



ELECTRICAL CHARACTERISTICS AND SPECIFICATIONS

VOLTAGE : 24 V DC / 24V-115V-230V AC 50/60 Hz
 AMBIENT TEMPERATURE : -15°C to +50°C (see appropriate limits for each product)
 CONNECTION : on coil terminals, hold position by means of the connector size 15.
 NUMBER OF TERMINALS : 2 terminals + earths (2 earths are symetrical to allow module reversal)
 CONSUMPTION : 0,25 W (24V) - 0,40 W (115V) - 0,75 W (230V)
 PROTECTION : IP65



LED - green luminous diode, bi-directional to check voltage on coil terminals (24V AC/DC, 115V AC, 230 V AC).

VDR - Varistat absorbing back EMF of coil

- ① Coil for mini pilot/solenoid valve/spool valve size 15
- ② Module of visual indication and electrical protection

CONSTRUCTION

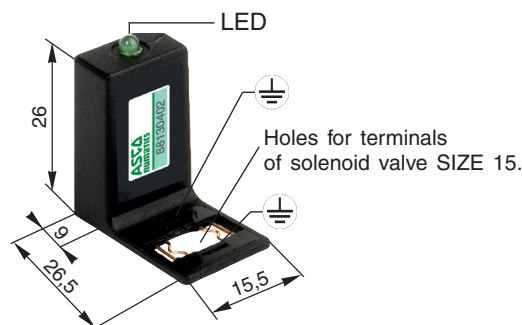
Body in glass-filled polyamide (PA + FG)
 Electronic components encapsulated in compound

RANGE SPECIFICATION

| Description | CODES |
|---|-----------|
| Module of visual indication (LED) and electrical protection | 24V AC/DC |
| | 115V AC |
| | 230V AC |

DIMENSIONS AND WEIGHT

Weight : 5 g



All leaflets are available on: www.asco.com

00425GB-2017/R01 Availability, design and specifications are subject to change without notice. All rights reserved.

FEATURES

- The main advantages of a connector with protection by TRANSIL are:
 - No polarisation
 - Overtoltage suppression
 - Shorter response time
 - Excellent protection of the PLC or control system by indicating loss of automatic control in the event of a fault
 - Label-holder provided for identification
- Spade connector to fit standardised three-pin moulded coils:
 - size 30, ISO 4400 / EN 175301-803 form A, for coil types CM6, CMXX, CM12, CM25, C25A, CM30, CM40, ANX, AMX, JMX, FNX and FMX
- The connectors, which have LED displays, are provided with 2/3/5 m leads and with stripped conductors ends

GENERAL

| | | |
|-----------------------------------|---|---|
| Connector specification | General purpose | Automobile industry |
| Max. operating temperature | ISO 4400 / EN 175301-803, form A -5°C to +70°C | ISO 4400 / EN 175301-803, form A -5°C to +70°C |

CONSTRUCTION

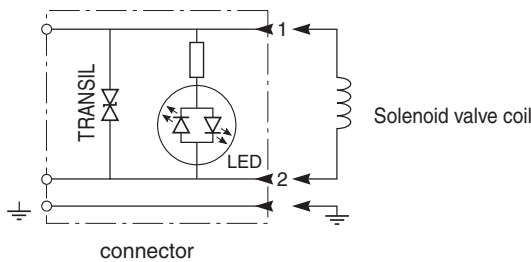
| | | |
|-----------------------|-------------------------------|-------------------------------|
| Body and cover | PA, glass fibre reinforced | PA, glass fibre reinforced |
| Cable | PVC | CNOMO E03.40.150.N |
| Seals | NBR | NBR |

ELECTRICAL CHARACTERISTICS

| | | |
|--|------------------------------------|------------------------------------|
| Voltage | 115 V AC/DC | 24 V AC/DC |
| Peak voltage | < 246 V | < 49,9 V |
| Rated current | 10 A | 10 A |
| Number of contacts | 2 + 2 common earths ⁽¹⁾ | 2 + 2 common earths ⁽¹⁾ |
| Distance between contacts | 18 mm | 18 mm |
| Contact resistance | ≤ 4 m Ω | ≤ 4 m Ω |
| Connection | Flying lead | Flying lead |
| Electrical safety | IEC 335 | IEC 335 |
| Electrical enclosure protection | IP65 (EN 60529) | IP65 (EN 60529) |
| Number of wires (with cable) | 3 | 3 |



LED indicator and electrical protection diagram



LED Green light-emitting diode, bidirectional, signalling the presence of voltage across the coil terminals.

SPECIFICATIONS

| description | cable length | wire cross-section | max. voltage | type | catalogue number |
|---|--------------|--------------------|--------------|------|------------------|
| | | (mm ²) | (V) | | |
| General purpose | | | | | |
| cable with stripped ends | 3 m | 0,75 | 115 | 01 | 88122618 |
| | 5 m | | | | 88122619 |
| Automobile industry, CNOMO lead resistant to cutting fluid | | | | | |
| cable with stripped ends | 2 m | 1 | 24 | 02 | 88122620 |
| | 5 m | | | | 88122621 |

⁽¹⁾ The two common earth terminals enable rotation of the connector by 180° increments.

INSTALLATION

- The connectors can be mounted in any position without affecting operation

ORDERING EXAMPLES:

| |
|--------------------|
| 88122618 |
| 88122620 |
| basic number _____ |

DIMENSIONS (mm), WEIGHT (kg)

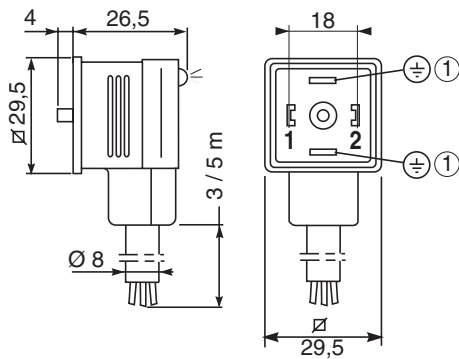


TYPE 01-02

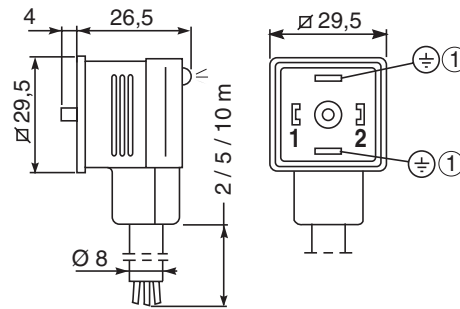
Size 30, flying leads
ISO 4400 / EN 175301-803, form A
IP65

Type 01: **88122618 / 88122619**

Type 02: **88122620 / 88122621**



| type 01 | |
|-------------------|------------|
| brown wire | terminal 1 |
| blue wire | terminal 2 |
| green/yellow wire | earth |



| type 02 | |
|-------------------|------------|
| black wire | terminal 1 |
| black wire | terminal 2 |
| green/yellow wire | earth |

| type | L | weight ⁽¹⁾ |
|------|-----|-----------------------|
| | (m) | |
| 01 | 3 | 0,225 |
| | 5 | 0,375 |
| 02 | 2 | 0,150 |
| | 5 | 0,375 |

① The 2 common earth terminals enable rotation of the connector by 180° increment.

⁽¹⁾ Including seal and screw.