

## FEATURES

- The main advantages of a connector with protection by TRANSIL are:
  - No polarisation
  - Overvoltage suppression
  - Shorter response time
  - Excellent protection of the PLC or control system by indicating loss of automatic control in the event of a fault
  - Label-holder provided for identification
- Spade connector to fit standardised three-pin moulded coils:
  - size 30, ISO 4400 / EN 175301-803 form A, for coil types CM6, CMXX, CM12, CM25, C25A, CM30, CM40, ANX, AMX, JMX, FNX and FMX
- The connectors, which have LED displays, are provided with 2/3/5 m leads and with stripped conductors ends

## GENERAL

<b>Connector specification</b>	<b>General purpose</b>	<b>Automobile industry</b>
<b>Max. operating temperature</b>	ISO 4400 / EN 175301-803, form A -5°C to +70°C	ISO 4400 / EN 175301-803, form A -5°C to +70°C

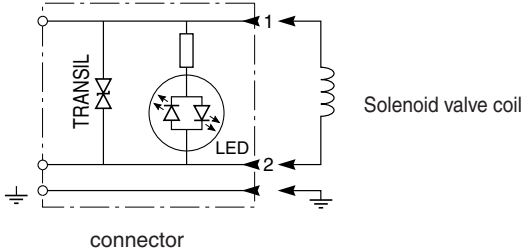
## CONSTRUCTION

<b>Body and cover</b>	PA, glass fibre reinforced	PA, glass fibre reinforced
<b>Cable</b>	PVC	CNOMO E03.40.150.N
<b>Seals</b>	NBR	NBR

## ELECTRICAL CHARACTERISTICS

<b>Voltage</b>	115 V AC/DC	24 V AC/DC
<b>Peak voltage</b>	< 246 V	< 49,9 V
<b>Rated current</b>	10 A	10 A
<b>Number of contacts</b>	2 + 2 common earths <sup>(1)</sup>	2 + 2 common earths <sup>(1)</sup>
<b>Distance between contacts</b>	<b>18 mm</b>	<b>18 mm</b>
<b>Contact resistance</b>	≤ 4 m Ω	≤ 4 m Ω
<b>Connection</b>	Flying lead	Flying lead
<b>Electrical safety</b>	IEC 335	IEC 335
<b>Electrical enclosure protection</b>	IP65 (EN 60529)	IP65 (EN 60529)
<b>Number of wires (with cable)</b>	3	3

### LED indicator and electrical protection diagram



**LED** Green light-emitting diode, bidirectional, signalling the presence of voltage across the coil terminals.

## SPECIFICATIONS

description	cable length	wire cross-section	max. voltage	type	catalogue number
		(mm <sup>2</sup> )	(V)		
<b>General purpose</b>					
cable with stripped ends	3 m	0,75	115	01	<b>88122618</b>
	5 m				<b>88122619</b>
<b>Automobile industry, CNOMO lead resistant to cutting fluid</b>					
cable with stripped ends	2 m	1	24	02	<b>88122620</b>
	5 m				<b>88122621</b>

<sup>(1)</sup> The two common earth terminals enable rotation of the connector by 180° increments.



### INSTALLATION

- The connectors can be mounted in any position without affecting operation

### ORDERING EXAMPLES:

	88122618
	88122620
basic number _____	

### DIMENSIONS (mm), WEIGHT (kg)

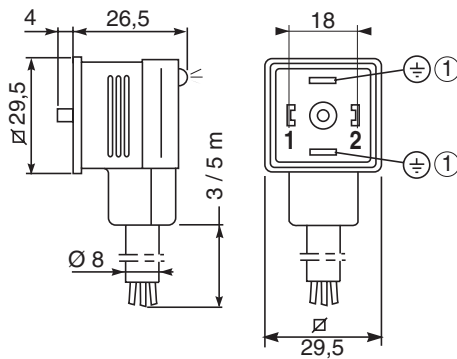


#### TYPE 01-02

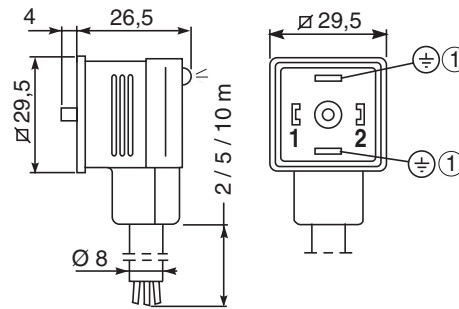
Size 30, flying leads  
ISO 4400 / EN 175301-803, form A  
IP65

Type 01: **88122618 / 88122619**

Type 02: **88122620 / 88122621**



type 01	
brown wire	terminal 1
blue wire	terminal 2
green/yellow wire	earth



type 02	
black wire	terminal 1
black wire	terminal 2
green/yellow wire	earth

type	L	weight <sup>(1)</sup>
	(m)	
01	3	0,225
	5	0,375
02	2	0,150
	5	0,375

① The 2 common earth terminals enable rotation of the connector by 180° increment.

<sup>(1)</sup> Including seal and screw.