

FEATURES

- Spade connector sizes 22 and 30 to fit standardised three-pin moulded coils:
 - size 22, EN 175301-803, industry standard form B (11 mm), for coil types CM5, CM22, C22A, EMX and BMX
 - size 30, ISO 4400 / EN 175301-803 form A (18 mm), for coil types CM6, CMXX, CM12, CM25, C25A, CM30, CM40, ANX, AMX, JMX, FNX and FMX
- The connectors are available in three versions: standard rotatable version with or without integrated visual LED indicator and electrical protection, or version with non-rotatable 3-core moulded-in cable, 2 m long
- The standard connector size 30 is provided with a removable lid allowing access to the wiring for easy checking of power supply without unplugging the connector and without interrupting operation of the solenoid valve

GENERAL

Connector specification

size 22 (11 mm)

size 30 (18 mm)

Max. operating temperature

EN 175301-803 industry standard form B
ISO 4400 / EN 175301-803, form A
-40°C to +80°C (-40°C to +125°C⁽¹⁾ with silicone seal)
[version with moulded-in cable -5°C to +70°C]

CONSTRUCTION

Standard version

Enclosure with LED and protection

Enclosure with PVC cable

Seals

PA (polyamide), glass-fibre reinforced
PA
PA (polyamide), glass-fibre reinforced
NBR [option for size 30: VMQ (silicone)]

ELECTRICAL CHARACTERISTICS

Number of contacts

Distance between contacts

Contact resistance

Connector

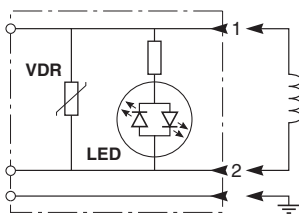
Electrical safety

Electrical enclosure protection

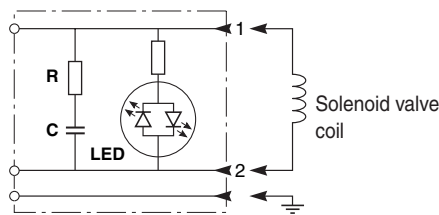
Number of wires (with cable)

| | |
|------------------|------------------|
| Size 22 | Size 30 |
| 2 + common earth | 2 + common earth |
| 11 mm | 18 mm |
| ≤ 4 m Ω | ≤ 4 m Ω |
| Spade plug | Spade plug |
| IEC 335 | IEC 335 |
| IP65 (EN 60529) | IP65 (EN 60529) |
| 3 | 3 |

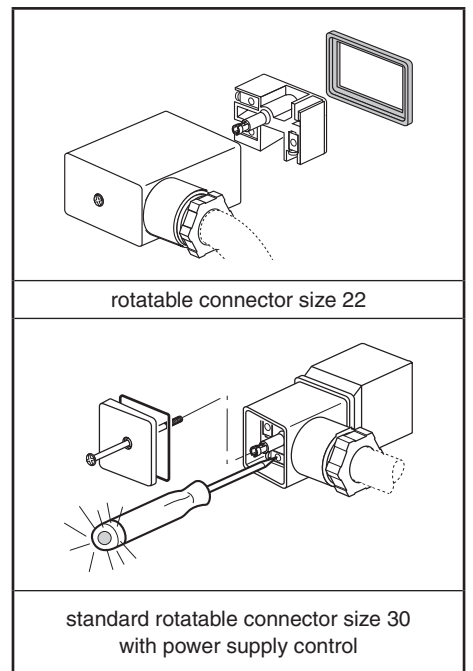
LED indicator and electrical protection diagrams



connector size 22



connector size 30



VDR Varistor absorbing the self-inductance of the coil.
RC RC circuit absorbing the self-inductance of the coil.
LED Green light-emitting diode, bidirectional, signalling the presence of voltage across the coil terminals.

SPECIFICATIONS

| description | cable length | cable O.D. | | wire cross-section (mm ²) | max. voltage (V) | type | catalogue number | | |
|---|-----------------|-----------------|---------|---------------------------------------|------------------|-------|------------------|-----------------|----------------------------|
| | | size 22 | size 30 | | | | size 22 NBR | size 30 NBR | size 30 VMQ ⁽¹⁾ |
| Rotatable connector | | | | | | | | | |
| standard, without LED indicator | - | 6-8 mm | 6-10 mm | 1,5 | 250 | 01-02 | 88122404 | 88122602 | 88122625 |
| with integrated LED indicator and electrical protection | - | 6-8 mm | 8-10 mm | 1,5 | 12 | 01-02 | - | 88122611 | - |
| | | | | | 24 | | 88122603 | - | |
| | | | | | 48 | | 88122406 | 88122604 | - |
| | | | | | 115 | | 88122407 | 88122605 | - |
| 230 | 88122410 | 88122608 | - | | | | | | |
| Non-rotatable connector with cable | | | | | | | | | |
| without LED indicator | 2 m | - | - | 1,5 | 250 | 03-04 | 88122413 | 88122612 | - |

⁽¹⁾ For use within class H temperature limits.

INSTALLATION

- The connectors can be mounted in any position without affecting operation

ORDERING EXAMPLES:

88122404
88122602
basic number _____

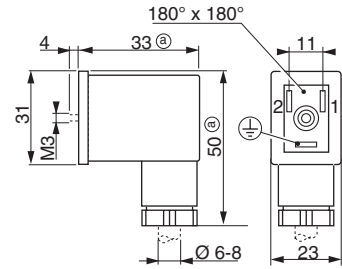
DIMENSIONS (mm), WEIGHT (kg)



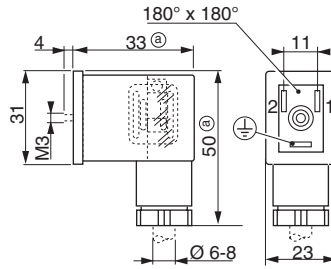
TYPE 01

Size 22 (11 mm)
EN 175301-803 industry standard form B
IP65

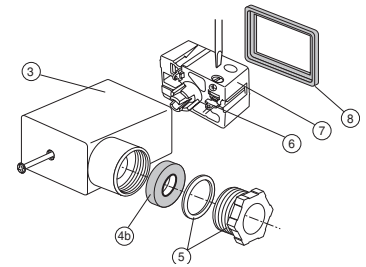
88122404



88122405/406/407/410



88122404/405/406/407/410



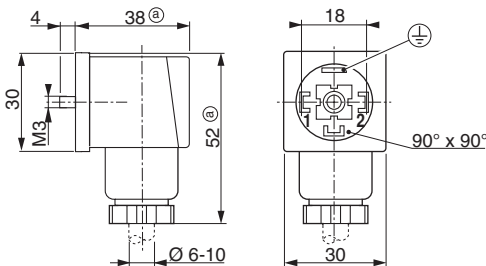
(a) Max. dimension.



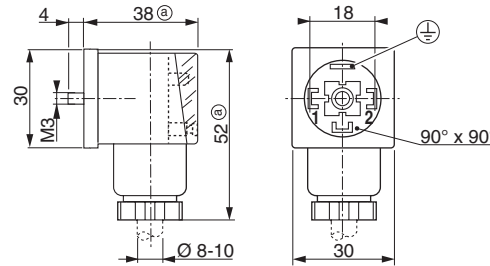
TYPE 02

Size 30 (18 mm)
ISO 4400 / EN 175301-803, form A
IP65

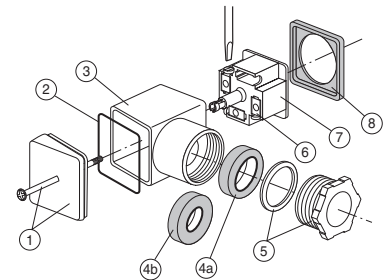
88122602/625



88122611/603/604/605/608



88122602/625



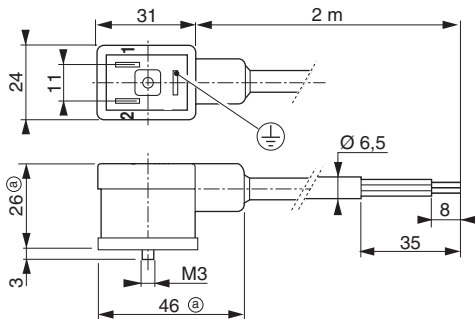
(a) Max. dimension.



TYPE 03

Size 22, flying leads (11 mm)
EN 175301-803 industry standard form B
IP65
(non-rotatable terminal holder)

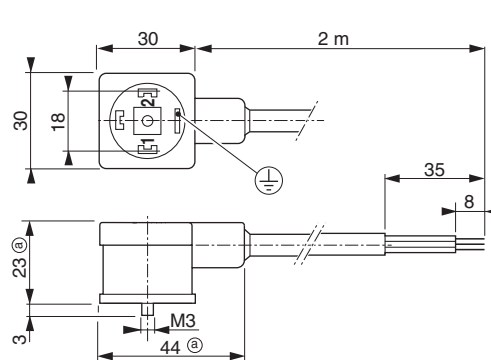
88122413



TYPE 04

Size 30, flying leads (18 mm)
ISO 4400 / EN 175301-803, form A
IP65
(non-rotatable terminal holder)

88122612



(a) Max. dimension.

| type | L (m) | weight ⁽¹⁾ | |
|------|-------|-----------------------|--------------------|
| | | without LED indicator | with LED indicator |
| 01 | - | 0,025 | 0,025 |
| 02 | - | 0,030 | 0,032 |
| 03 | 2 | 0,150 | - |
| 04 | 2 | 0,155 | - |

| sizes 03 and 04 | |
|-------------------|----------------|
| brown wire | terminal 1 (+) |
| blue wire | terminal 2 (-) |
| green/yellow wire | earth |

⁽¹⁾ Including seals and screws.

All leaflets are available on: www.asco.com



CONNECTORS

EN 175301-803, industry standard form C (9,4 mm)

EN 175301-803, form C (8 mm)

size 15

Series
881

FEATURES

- Spade connector size 15 to fit standardised three-pin moulded coils:
 - EN 175301-803, industry standard form C (9,4 mm), for coil type CM15 (series 202), DMX and series 302, 630, 519, 520, 521 and 578 (MEGA)
 - EN 175301-803, form C (8 mm), for series 302, 630 and 202
- The connectors are available in three versions: standard rotatable version, or version with non-rotatable 3-core moulded-in cable, 2 m or 5 m long, with or without integrated visual LED indicator and electrical protection

GENERAL

Connector specification

size 15, 9,4 mm pin spacing

size 15, 8 mm pin spacing

Max. operating temperature

EN 175301-803, industry standard form C

EN 175301-803, form C

-25°C to +60°C

[version with moulded-in cable -25°C to +60°C]



CONSTRUCTION

Standard version

PA (polyamide), glass-fibre reinforced

Enclosure with LED and protection

PA or PP

Enclosure with PVC cable

PP (polypropylene), glass-fibre reinforced

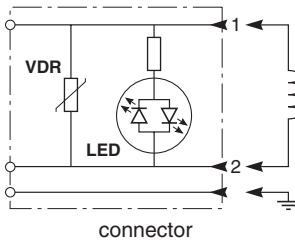
Seals

NBR

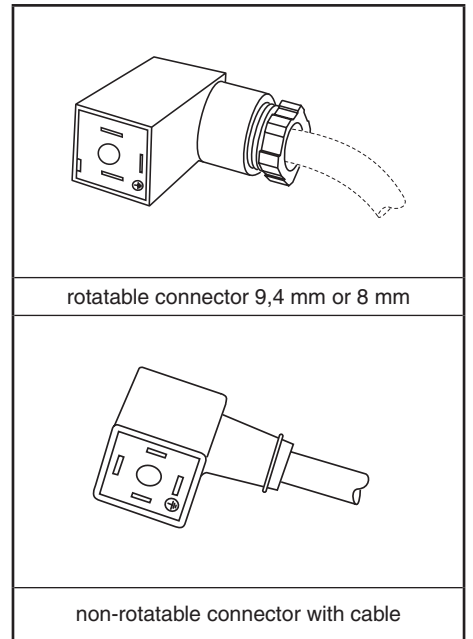
ELECTRICAL CHARACTERISTICS

| | Size 15 | Size 15 |
|---------------------------------|---------------------------------|------------------|
| Number of contacts | 2 + common earth ⁽¹⁾ | 2 + common earth |
| Distance between contacts | 9,4 mm | 8 mm |
| Contact resistance | ≤ 4 m Ω | ≤ 4 m Ω |
| Connector | Spade plug | Spade plug |
| Electrical safety | IEC 335 | IEC 335 |
| Electrical enclosure protection | IP65 (EN 60529) | IP65 (EN 60529) |
| Number of wires (with cable) | 3 | 3 |

LED indicator and electrical protection diagrams



VDR Varistor absorbing the self-inductance of the solenoid valve coil.
LED Green light-emitting diode, bidirectional, signalling the presence of voltage across the coil terminals.



SPECIFICATIONS

| description | cable length | cable O.D. | wire cross-section (mm ²) | max. voltage (V) | type | catalogue number | |
|---|--------------|------------|---------------------------------------|------------------|-------|------------------|----------------|
| | | | | | | size 15 | |
| | | | | | | 9,4 mm | 8 mm |
| Rotatable connector | | | | | | | |
| standard, without LED indicator | - | 4-6 mm | 0,6 | 250 V | 01-02 | 88143581 | 88130211 |
| Non-rotatable connector with cable | | | | | | | |
| without LED indicator | 2 m | - | 0,6 | 250 V | 03 | 88143567 | ⁽²⁾ |
| with integrated LED indicator and electrical protection | 2 m | - | 0,6 | 24 V | 04 | 88143580 | - |
| | 5 m | | | | | 88143593 | - |

⁽¹⁾ Version with 3 pins + earth, see our catalogue Fluid Automation Pneumatic Components, page P575.

⁽²⁾ Contact us

00142GB-2016/R02 Availability, design and specifications are subject to change without notice. All rights reserved.

All leaflets are available on: www.asco.com



青岛秉诚自动化设备有限公司
地址：中国·青岛市重庆南路99号海尔云街甲3号楼7F

服务热线：4006-918-365
网址：<http://www.ivalve.cc>

Coils & Accessories - 27
传真：(86-532)585-10-365
Email：sales@bechinas.com

OPTIONS

- Connectors with cable, 5 m long, contact us

INSTALLATION

- The connectors can be mounted in any position without affecting operation

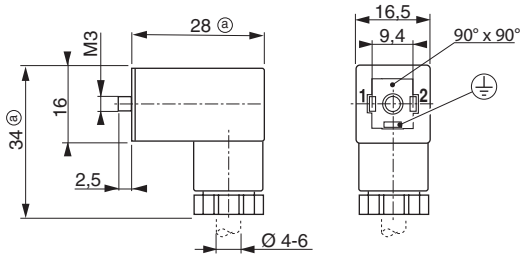
ORDERING EXAMPLES:

| |
|------------------------------------|
| 88143581 88130211 |
| basic number _____ |

DIMENSIONS (mm), WEIGHT (kg)

TYPE 01
 Size 15, 9,4 mm
 EN 175301-803, industry standard form C
 IP65

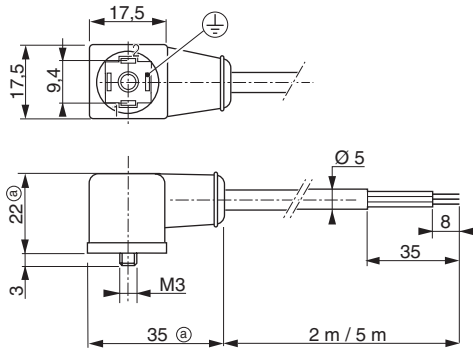
88143581



(a) Max. dimension.

TYPE 03
 Size 15, flying leads, without LED indicator
 EN 175301-803, industry standard form C (9,4 mm)
 IP65
 (non-rotatable terminal holder)

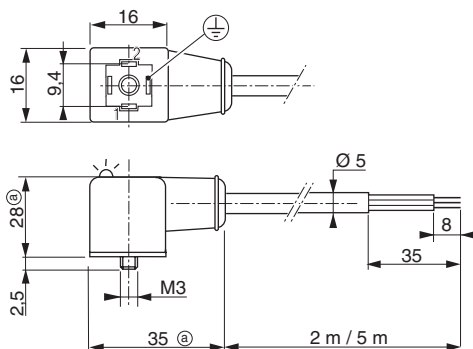
88143567



(a) Max. dimension.

TYPE 04
 Size 15, flying leads, with LED indicator
 EN 175301-803, industry standard form C (9,4 mm)
 IP65
 (non-rotatable terminal holder)

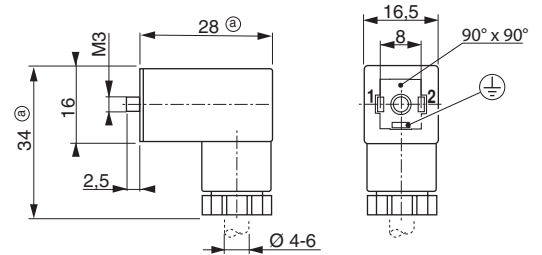
88143580/593



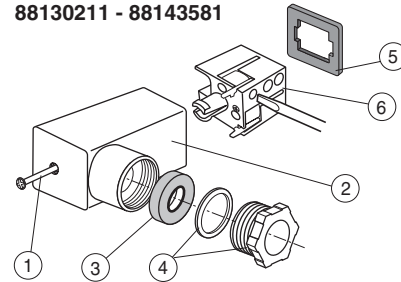
(a) Max. dimension.

TYPE 02
 Size 15, 8 mm
 EN 175301-803, form C
 IP65

88130211



88130211 - 88143581



- ① Fastening screw
- ② Enclosure
- ③ Seal for cable dia. 4 to 6 mm
- ④ Stuffing box washer and nut
- ⑤ Connector seal
- ⑥ Terminal holder
- ⑦ Cable connection terminal

| type | L (m) | weight ⁽¹⁾ | |
|---------|----------|-----------------------|--------------------|
| | | without LED indicator | with LED indicator |
| 01 - 02 | - | 0,015 | - |
| 03 | 2 | 0,100 | - |
| 04 | 2 | - | 0,100 |
| | 5 | - | 0,220 |

⁽¹⁾ Including seals and screws.

| sizes 03 and 04 | |
|-------------------|----------------|
| brown wire | terminal 1 (+) |
| blue wire | terminal 2 (-) |
| green/yellow wire | earth |

All leaflets are available on: www.asco.com