

ASCO™ Solenoid Valves

For High Pressure Fluids

Direct Operated, 3/8" tapped

2/2 NC-NO

Series

263

- High operating pressure
- RoHS compliance
- AC/DC interchangeability of the coil (10,1 W/11,6 W and 17,1 W/22,6 W)
- Valves do not require a minimum operating pressure
- Large selection of seal materials providing wide chemical compatibility
- Compliance with UL and CSA standards
- The solenoid valves satisfy all relevant EU directives

General

Differential pressure See «SPECIFICATIONS» [1 bar = 100 kPa]
Maximum viscosity 65 cSt (mm²/s)
Response time 5 - 25 ms

fluids (*)	temperature range (TS)	seal materials (*)
air, inert gas, water, oil	-25°C to +80°C	NBR (nitrile)

Materials in contact with fluid

(*) Ensure that the compatibility of the fluids in contact with the materials is verified

Body Brass or Stainless steel, AISI 304
Shading coil Copper or Silver
Core tube Stainless steel, AISI 305
Core and plugnut Stainless steel, AISI 430F
Springs Stainless steel, AISI 302
Seal NBR
Disc NBR
Core guide CA

Electrical characteristics

Coil insulation class F/H (AC) or H (DC)
Connector Spade plug (cable Ø 6-10 mm)
Connector specification ISO 4400 / EN 175301-803, form A
Electrical safety IEC 335
Electrical enclosure protection Moulded IP65 (EN 60529)
Standard voltages DC (=) : 24V - 48V
 AC (-) : 24V - 48V - 115V - 230V/50 Hz
 (Other voltages and 60 Hz on request)

operator ambient temperature range (TS) (°C)	power ratings				replacement coil ⁽¹⁾	
	inrush ~	holding ~		hot/cold =	~	=
-25 to +55	(VA)	(VA)	(W)	(W)	230 V/50 Hz	24 V DC
	30	16	8,1	7,7/ 10,6	238213-059	238513-006
	45	20	11,1	12,5/18,6	238213-157	238513-106
	50	25	10,1	8,5/11,6	238613-059	238913-006
	70	40	17,1	15,1/22,6	238613-159	-
70	40	17,1	15,1/22,6	238813-159	238913-106	

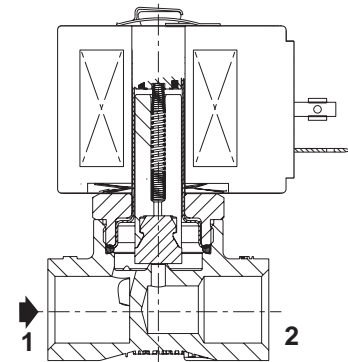
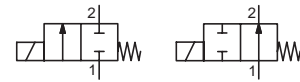
⁽¹⁾ All 238 basic numbers are UL & CSA approved and marked with the UR (recognised component) & CSA logos.

Options

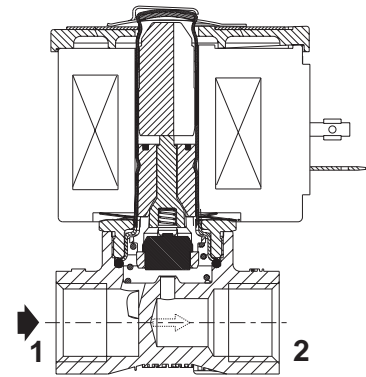
- Seals and disc (τ) ⁽²⁾ (fluid temperature range)
 - FPM (fluoroelastomer): -15°C to +100°C (coil class F), -15°C to +120°C (coil class H)
 - EPDM (ethylene-propylene), 0°C to +100°C
 - CR (chloroprene), 0°C to +80°C
 - PTFE: -15°C to +100°C (coil class F), -15°C to +120°C (coil class H)
- Oxygen service, FPM disc and seals, see "15-DIGIT PRODUCT CODE"
- Connector with visual indication and peak voltage suppression or with cable length of 2 m
- Explosionproof enclosures for use in zones 1/21-2/22, categories 2-3 to ATEX Directive 2014/34/EU (See page: 19)

(*) Ensure that the compatibility of the fluids in contact with the materials is verified.

⁽²⁾ The minimum ambient temperature of the solenoid valve is determined by the limitations of minimum temperature indicated.



NC function



NO function

01015GB-2019/R02 Availability, design and specifications are subject to change without notice. All rights reserved.

Specifications

pipe size	orifice size	flow coefficient Kv		operating pressure differential (bar)						power coil (W)		thread type	dimensions / type ⁽¹⁾	15-DIGIT PRODUCT CODE							
				max. (PS)										brass	stainless steel	voltage code					
				air (*)		water (*)		oil (*)								24 V/50 Hz	48 V/50 Hz	115 V/50 Hz	230 V/50 Hz	24 V/DC	48 V/DC
				min.	~	=	~	=	~					=	~						
(mm)	(m ³ /h)	(l/min)																			
Without manual operator																					
NC - Normally closed, NBR seal and disc																					
3/8	3,2	0,3	5	0	12	8	12	6,5	6	5	8,1	10,6	G* 01	E263K002S1N00	-						
					18	10	17	8	9,5	7	11,1	18,6	G* 01	E263K003S1N00	-						
					23	7,5	20	7	14	5	10,1	11,6	G* 02	E263K232S1N00	E263K190S1N00						
													NPT 02	-	8263K190S1N00						
						34	17	26	17	24	10	17,1	22,6	G* 02	E263K115S1N00	E263K191S1N00					
														NPT 02	-	8263K191S1N00					
						14	3,5	12	3,5	6,5	3	10,1	11,6	G* 02	E263K200S1N00	E263K331S1N00					
														NPT 02	-	8263K331S1N00					
						20	7,5	14	7,5	13	6	17,1	22,6	G* 02	E263K118S1N00	E263K193S1N00					
														NPT 02	-	8263K193S1N00					
						3,5	2	3,5	2	2	1,9	8,1	10,6	G* 01	E263K119S1N00	-					
						6,5	2	5,5	2	4,5	2	10,1	11,6	G* 02	E263K124S1N00	E263K195S1N00					
													NPT 02	-	8263K195S1N00						
					8,5	4	6,5	4	6,5	4	17,1	22,6	G* 02	E263K206S1N00	E263K332S1N00						
													NPT 02	-	8263K332S1N00						
					2	1,6	2	1,5	1,4	1,3	8,1	10,6	G* 01	E263K054S1N00	-						
					4	-	4	-	3	-	10,1	-	G* 02	E263K125S1N00	E263K197S1N00						
													NPT 02	-	8263K197S1N00						
					6,5	3	5,5	3	4,5	3	17,1	22,6	G* 02	E263K210S1N00	E263K333S1N00						
													NPT 02	-	8263K333S1N00						
NO - Normally open, NBR seal and disc																					
3/8	3,2	0,3	5	0	11	6,5	10	6,5	8,5	4,5	10,1	11,6	G* 02	E263K070S1N00	E263K080S1N00						
													NPT 02	-	8263K080S1N00						
					14	9	13	7,5	12	6,5	17,1	22,6	G* 02	E263K100S1N00	E263K104S1N00						
													NPT 02	-	8263K104S1N00						
						6	4	6	3,5	4,5	3	10,1	11,6	G* 02	E263K071S1N00	E263K081S1N00					
														NPT 02	-	8263K081S1N00					
						8	5	7,5	4	7	3,5	17,1	22,6	G* 02	E263K101S1N00	E263K105S1N00					
														NPT 02	-	8263K105S1N00					
						3	2	3	1,7	2,5	1,7	10,1	11,6	G* 02	E263K072S1N00	E263K082S1N00					
														NPT 02	-	8263K082S1N00					
						4	2	3,5	2	3,5	2,1	17,1	22,6	G* 02	E263K102S1N00	E263K106S1N00					
														NPT 02	-	8263K106S1N00					
					2	1,3	2	1,1	2	1,1	10,1	11,6	G* 02	E263K073S1N00	E263K083S1N00						
													NPT 02	-	8263K083S1N00						
					2,5	1,3	2,5	1,1	2,5	1,1	17,1	22,6	G* 02	E263K103S1N00	E263K107S1N00						
													NPT 02	-	8263K107S1N00						
With maintained manual operator																					
NC - Normally closed, NBR seal and disc																					
3/8	3,2	0,3	5	0	23	7,5	20	7	14	5	10,1	11,6	G* 02	E263K232S1N01	E263K190S1N01						
													NPT 02	-	8263K190S1N01						
					34	17	26	17	24	10	17,1	22,6	G* 02	E263K115S1N01	E263K191S1N01						
													NPT 02	-	8263K191S1N01						
						14	3,5	12	3,5	6,5	3	10,1	11,6	G* 02	E263K200S1N01	E263K331S1N01					
														NPT 02	-	8263K331S1N01					
						20	7,5	14	7,5	13	6	17,1	22,6	G* 02	E263K118S1N01	E263K193S1N01					
														NPT 02	-	8263K193S1N01					
						6,5	2	5,5	2	4,5	2	10,1	11,6	G* 02	E263K124S1N01	E263K195S1N01					
														NPT 02	-	8263K195S1N01					
						8,5	4	6,5	4	6,5	4	17,1	22,6	G* 02	E263K206S1N01	E263K332S1N01					
														NPT 02	-	8263K332S1N01					
					4	-	4	-	3	-	10,1	-	G* 02	E263K125S1N01	E263K197S1N01						
													NPT 02	-	8263K197S1N01						
					6,5	3	5,5	3	4,5	3	17,1	22,6	G* 02	E263K210S1N01	E263K333S1N01						
													NPT 02	-	8263K333S1N01						

⁽¹⁾For dimensions, see drawing(s) for each construction type on the following page(s).

(*) Ensure that the compatibility of the fluids in contact with the materials is verified.

Configurator - CAD Files

15-DIGIT PRODUCT CODE
E 263 K 002 S1 N00 H1

Thread connection

E = ISO 228/1 & ISO 7/1 (combination thread, G*)
8 = NPT (SAE 71051)

Product series

263

Revision letter

K = Initial release

Valves version

Voltage - class

FL = 24 V / 50 Hz - class F
FR = 48 V / 50 Hz - class F
FT = 115 V / 50 Hz - class F
F8 = 230 V / 50 Hz - class F
HL = 24 V / 50 Hz - class H
HR = 48 V / 50 Hz - class H
HT = 115 V / 50 Hz - class H
H8 = 230 V / 50 Hz - class H
H1 = 24 V DC - class H
H9 = 48 V DC - class H

Options

Without manual operator

N00 = NBR disc and seals
V00 = FPM disc and seals
VNO = FPM disc and seals for Oxygen service
E00 = EPDM disc and seals
J00 = CR disc and seals
T00 = PTFE disc and seals ⁽¹⁾

With maintained manual operator

N01 = NBR disc and seals
V01 = FPM disc and seals
VN1 = FPM disc and seals for Oxygen service
E01 = EPDM disc and seals
J01 = CR disc and seals

Electrical interface & explosion proof options

S1 = With spade plug connector
FN = Aluminium enclosure, 1/2 NPT conduit, IECEx/ATEX
II 2G Ex db IIC Gb / II 2D Ex tb IIIC Db, zone 1-21 (equivalent to NF prefix)⁽²⁾
FT = Aluminium enclosure, 20 mm conduit, IECEx/ATEX
II 2G Ex db IIC Gb / II 2D Ex tb IIIC Db, zone 1-21 (equivalent to NFET prefix)⁽²⁾
FS = AISI 316L enclosure, 1/2 NPT conduit, IECEx/ATEX
II 2G Ex db IIC Gb / II 2D Ex tb IIIC Db, zone 1-21 (equivalent to WSNF prefix)⁽²⁾
FU = AISI 316L enclosure, 20 mm conduit, IECEx/ATEX
II 2G Ex db IIC Gb / II 2D Ex tb IIIC Db, zone 1-21 (equivalent to WSNFET prefix)⁽²⁾
MV = Steel enclosure, M20 cable gland, IECEx/ATEX
II 2G Ex eb mb IIC Gb / II 2D Ex tb IIIC Db, zone 1-21 (equivalent to EM prefix)⁽²⁾
MT = Steel enclosure, 20 mm conduit, IECEx/ATEX
II 2G Ex eb mb IIC Gb / II 2D Ex tb IIIC Db, zone 1-21 (equivalent to EMET prefix)⁽²⁾
MN = Steel enclosure, 1/2 NPT conduit, IECEx/ATEX
II 2G Ex eb mb IIC Gb / II 2D Ex tb IIIC Db, zone 1-21 (equivalent to EMT prefix)⁽²⁾
MW = AISI 316 enclosure, M20 cable gland, IECEx/ATEX
II 2G Ex eb mb IIC Gb / II 2D Ex tb IIIC Db, zone 1-21 (equivalent to WSEM prefix)⁽²⁾
MU = AISI 316 enclosure, 20 mm conduit, IECEx/ATEX
II 2G Ex eb mb IIC Gb / II 2D Ex tb IIIC Db, zone 1-21 (equivalent to WSEMET prefix)⁽²⁾
MS = AISI 316 enclosure, 1/2 NPT conduit, IECEx/ATEX
II 2G Ex eb mb IIC Gb / II 2D Ex tb IIIC Db, zone 1-21 (equivalent to WSEMT prefix)⁽²⁾
A7 = Moulded enclosure, epoxy encapsulated, integrated cable, IECEx/ATEX
II 2G Ex mb IIC Gb / II 2D Ex mb IIIC Db, zone 1-21 (equivalent to PV prefix)⁽²⁾
SG = Moulded coil with connector, epoxy encapsulated, ATEX
II 3GD Ex ec IIC Gc / II 3GD Ex tc IIIC Dc, zone 22 (equivalent to SG prefix)⁽²⁾⁽³⁾

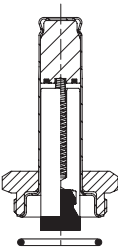
⁽¹⁾ Max. operating pressure limited to 75% of standard value.

⁽²⁾ Search prefix in Emerson.com/asco to get detailed technical information.

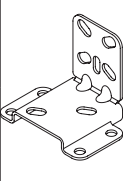
Please note that the valve pressure ratings with some of the ATEX enclosures will be reduced.

To obtain the correct pressure rating please check the landing pages of the "2-Way Solenoid Valve DIN Configurator".

⁽³⁾ Coils class F only.

		Spare parts kits no. (*)													
		AC (~)							DC (=)						
		NBR	FPM	FPM (oxygen)	EPDM	CR	PTFE	NBR	FPM	FPM (oxygen)	EPDM	CR	PTFE		
	E263K002	M200001	N00	V00	VN0	E00	J00	T00	M200005	N00	V00	VN0	E00	J00	T00
	E263K003	M200001	N00	V00	VN0	E00	J00	T00	M200006	N00	V00	VN0	E00	J00	T00
	E263K054	M200020	N00	V00	VN0	E00	J00	T00	M200008	N00	V00	VN0	E00	J00	T00
	E263K070	M200016	N00	V00	VN0	E00	J00	T00	M200032	N00	V00	VN0	E00	J00	T00
	E263K071	M200017	N00	V00	VN0	E00	J00	T00	M200033	N00	V00	VN0	E00	J00	T00
	E263K072	M200018	N00	V00	VN0	E00	J00	T00	M200034	N00	V00	VN0	E00	J00	T00
	E263K073	M200019	N00	V00	VN0	E00	J00	T00	M200035	N00	V00	VN0	E00	J00	T00
	E263K080/081/082/083	M200018	N00	V00	VN0	E00	J00	T00	M200034	N00	V00	VN0	E00	J00	T00
	E263K100/101/102/103	M200022	N00	V00	VN0	E00	J00	T00	M200038	N00	V00	VN0	E00	J00	T00
	E263K104/105/106/107	M200040	N00	V00	VN0	E00	J00	T00	M200040	N00	V00	VN0	E00	J00	T00
	E263K115/118	M200007	N00	V00	VN0	E00	J00	T00	M200007	N00	V00	VN0	E00	J00	T00
	E263K119	M200001	N00	V00	VN0	E00	J00	T00	M200007	N00	V00	VN0	E00	J00	T00
	E263K124/125	M200007	N00	V00	VN0	E00	J00	T00	M200007	N00	V00	VN0	E00	J00	T00
	E263K190/191/193	M200008	N00	V00	VN0	E00	J00	T00	M200008	N00	V00	VN0	E00	J00	T00
	E263K195/197	M200008	N00	V00	VN0	E00	J00	T00	M200008	N00	V00	VN0	E00	J00	T00
	E263K197	M200008	N00	V00	VN0	E00	J00	T00	M200008	N00	V00	VN0	E00	J00	T00
	E263K200/206/210/232	M200007	N00	V00	VN0	E00	J00	T00	M200007	N00	V00	VN0	E00	J00	T00
	E263K331/332/333	M200008	N00	V00	VN0	E00	J00	T00	M200008	N00	V00	VN0	E00	J00	T00
	8263K080/081/082/083	M200018	N00	V00	VN0	E00	J00	T00	M200034	N00	V00	VN0	E00	J00	T00
	8263K104/105/106/107	M200040	N00	V00	VN0	E00	J00	T00	M200040	N00	V00	VN0	E00	J00	T00
8263K190/191/193	M200008	N00	V00	VN0	E00	J00	T00	M200008	N00	V00	VN0	E00	J00	T00	
8263K195/197	M200008	N00	V00	VN0	E00	J00	T00	M200008	N00	V00	VN0	E00	J00	T00	
8263K331/332/333	M200008	N00	V00	VN0	E00	J00	T00	M200008	N00	V00	VN0	E00	J00	T00	

(*) Ensure that the compatibility of the fluids in contact with the materials is verified.

		Accessories code
	Mounting bracket Steel version (AISI 1010 / 1.1121)	M200094A00
	Mounting bracket Stainless steel version (AISI 304 / 1.4301)	M200095A00

Installation

- The solenoid valves can be mounted in any position without affecting operation
- Solenoid valves have 2 mounting holes in body
- Thread connection “E” have standard thread according to ISO 228/1 and ISO 7/1
- Thread connection “8” have standard thread = NPT (SAE 71051)
- Installation/maintenance instructions are included with each valve

Dimensions (mm), Weight (kg)

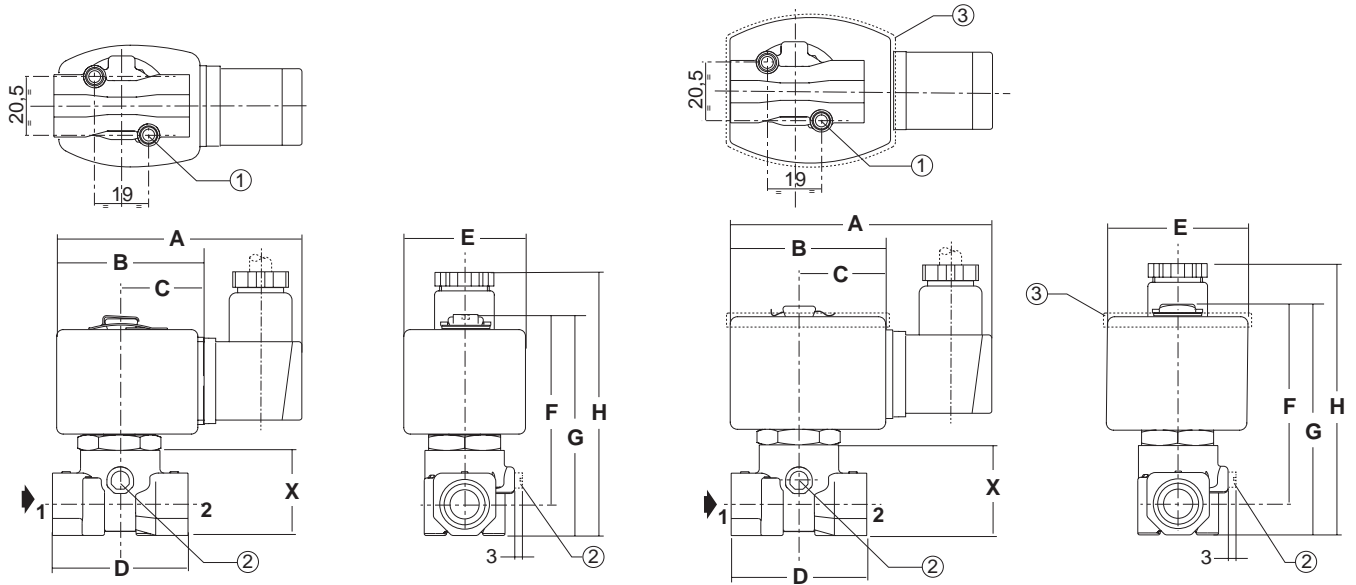


TYPE 01
Electrical interface "S1"
Epoxy moulded
IEC 335 / ISO 4400
IP65



TYPE 02
Electrical interface "S1"
Epoxy moulded
IEC 335 / ISO 4400
IP65

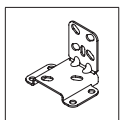
Configurator - CAD Files



type	A	B	C	D	E	F	G	H	X	weight ⁽¹⁾
01 (NC)	91	51	30	48	43	65	76	104	32	0,5
02 (NC)	95	57	33	48	50	69	80	107	32	0,63
02 (NO)	96	59	34	48	52	69	80	107	32	0,65

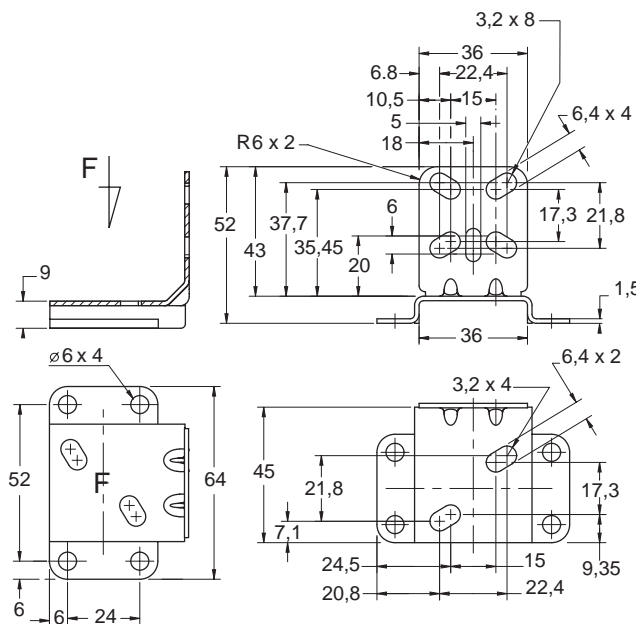
- ① 2 mounting holes M5 dia., depth 6 mm.
- ② Manual operator location.
- ③ NO version only.

⁽¹⁾ Incl. coil(s) and connector(s).



Mounting bracket
Steel or stainless steel

M200094A00 / M200095A00



01015GB-2019/R02
Availability, design and specifications are subject to change without notice. All rights reserved.

