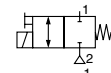




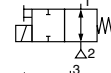
MINIATURE SOLENOID VALVES

rocker mechanism, fluid isolation
pad mounting body

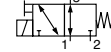
2/2 NC



2/2 NO



3/2 U



2/2
3/2
Series
260
360

FEATURES

- Valves for medical analysers, biotechnology, gas analysers
- Can be used to control acids and bases, as well as analytical reagents
- Any application where the fluid may not come into contact with metal parts and with the electromagnetic control section of the solenoid valves
- The valves are ideal for controlling aggressive fluids or when high purity is demanded and have easy to flush internal cavities
- They can also be used as a very small internal volume flow-through sampling valve due to rocker technology
- Hermetic separation of control mechanism and fluid
- Reduced heat exchange between coil and fluid
- Protected manual operator
- The use of first class materials and thorough valve testing ensure high reliability and a lifetime of at least 1 million cycles
- The solenoid valves satisfy all relevant EC directives



GENERAL

Differential pressure -0,7 to +2 bar (usable in 0,3 bar abs. vacuum) [1 bar =100 kPa]
Maximum viscosity 20 cSt (mm²/s)
Response time < 20 ms
Internal volume < 75 µl (connections not included)

fluids (*)	temperature range (TS)	seal materials (*)
liquids or gases	0°C to + 40°C	EPDM (ethylene-propylene)

CONSTRUCTION

Body PA12
Internal parts Stainless steel

MATERIALS IN CONTACT WITH FLUID

(*) Ensure that the compatibility of the fluids in contact with the materials is verified

Cover PEEK
Diaphragm-poppets EPDM
Base PEEK
Seal of base FPM

ELECTRICAL CHARACTERISTICS

Coil insulation class F
Coil Two spade terminals 2.8 x 0.5 mm (DIN 46340)
Electrical safety IEC 335
Electrical enclosure protection IP40 (EN60529)
Standard voltages DC (=) : 12V - 24V

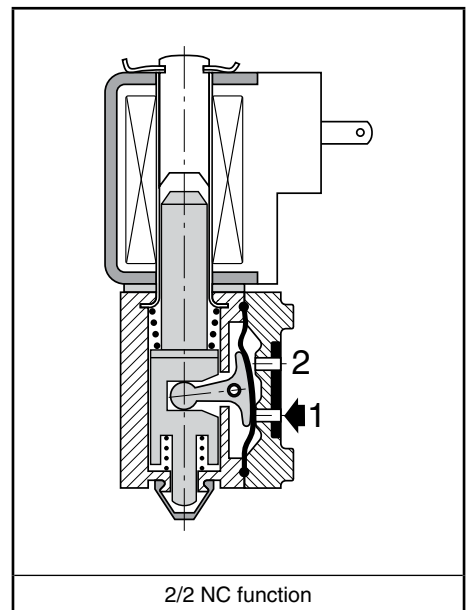
(Other voltages on request)

prefix option	power ratings			operator ambient temperature range (TS) (C°)	replacement coil		type ⁽¹⁾
	inrush	holding	hot/cold		-	=	
	~ (VA)	~ (W)	= (W)		-	= 24 V DC	
SC	-	-	4 / 5	-5 to + 40	-	43004663	01

⁽¹⁾ Refer to the dimensional drawings on the following page.

SPECIFICATIONS

pipe size	orifice size (mm)	flow coefficient Kv		operating pressure differential (bar)				power coil (W)	catalogue number (protected impulse manual operator)	options
		(m ³ /h)	(l/min)	min.	max. (PS)		~ =			
					gases (*)	liquids (*)				
2/2 NC - Normally closed										
pad mount	1,5	0,02	0,30	-0,7	2	2	-	5	SCE260A420	V
2/2 NO - Normally open										
pad mount	1,5	0,02	0,30	-0,7	2	2	-	5	SCE260A430	V
3/2 U - Universal										
pad mount	1,5	0,05	0,75	-0,7	2	2	-	5	SCE360A420	V



01006GB-2013/R01 Availability, design and specifications are subject to change without notice. All rights reserved.

All leaflets are available on: www.asconumatics.eu



青岛秉诚自动化设备有限公司
 地址：中国·青岛市重庆南路99号海尔云街甲3号楼7F

服务热线：4006-918-365
 网址：<http://www.ivalve.com>

传真：(86-532)585-10-365
 Email：sales@bechinas.com

OPTIONS

- Other diaphragm materials are available
- Other subbase, contact us

INSTALLATION

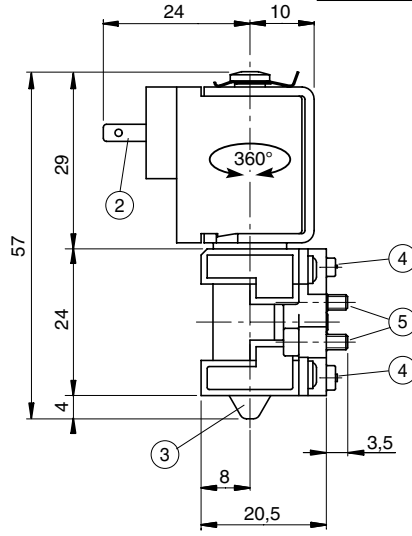
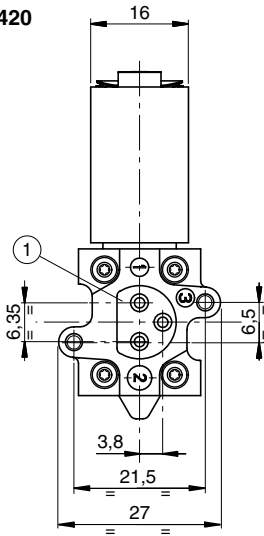
- The solenoid valves can be mounted in any position without affecting operation
- Standard mounting holes provided at the rear end of the body
- Replacement coils are available
- Installation/maintenance instructions are included with each valve

DIMENSIONS (mm), WEIGHT (kg)

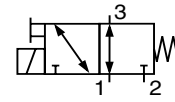
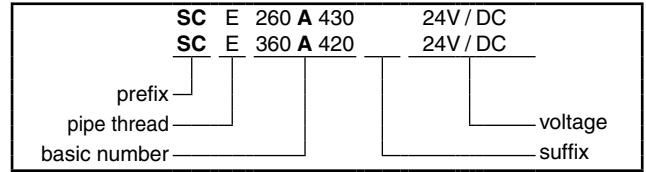


TYPE 01
Prefix "SC" Solenoid
DIN 43340

SCE260A420/430
SCE360A420



ORDERING EXAMPLES:

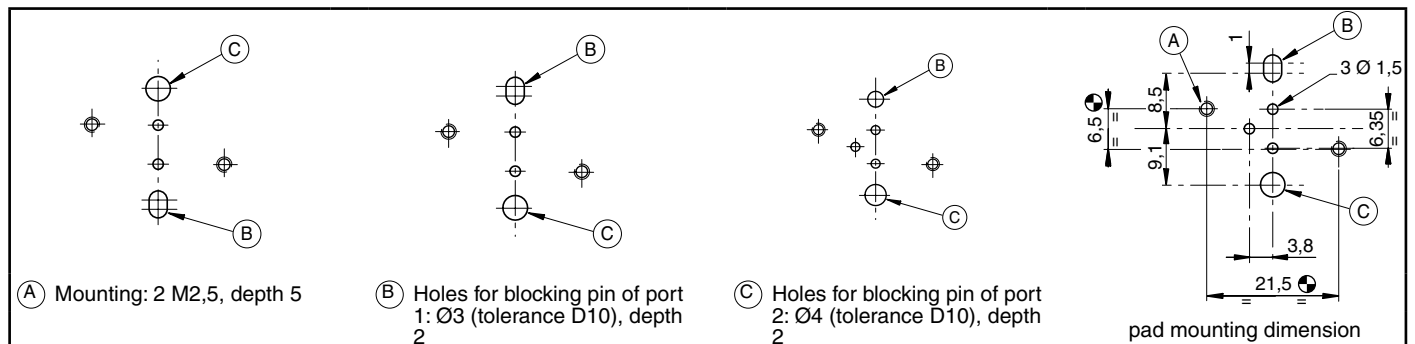
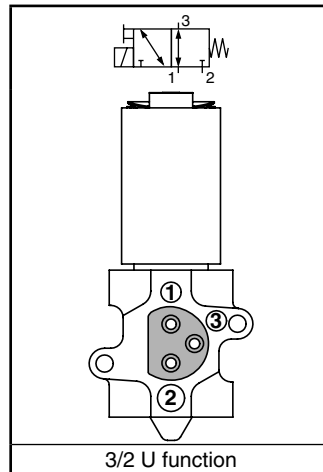
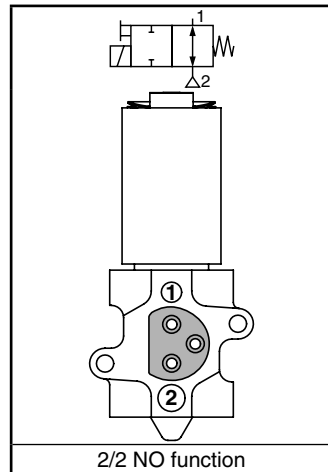
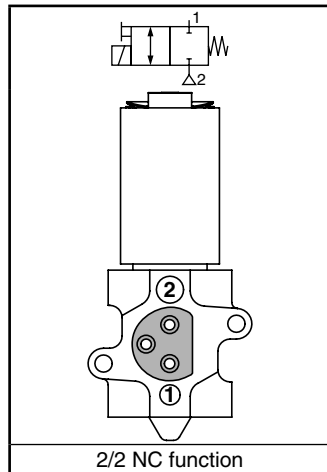


- ① Seal (FPM)
- ② Coil with two spade terminals 2,8 x 0,5 (DIN 46340)
- ③ Protected impulse type manual operator
- ④ Polarizing slot, ports marking off
- ⑤ Mounting: 2 M2,5 x 8 screws, supplied

type	prefix option	weight ⁽¹⁾
01	SC	0,49

⁽¹⁾ Incl. coil.

Pad mounting according to function :



All leaflets are available on: www.asconumatics.eu