

FEATURES

- Valves for medical analysers, biotechnology, gas analysers
- Can be used to control acids and bases, as well as analytical reagents
- Any application where the fluid may not come into contact with metal parts and with the electromagnetic control section of the solenoid valves
- The valves are ideal for controlling aggressive fluids or when high purity is demanded and have easy to flush internal cavities
- They can also be used as a very small internal volume flow-through sampling valve due to rocker technology
- Hermetic separation of control mechanism and fluid
- Reduced heat exchange between coil and fluid
- Protected manual operator
- The use of first class materials and thorough valve testing ensure high reliability and a lifetime of at least 1 million cycles
- The solenoid valves satisfy all relevant EC directives



GENERAL

Differential pressure	-0,7 to +2 bar (usable in 0,3 bar abs. vacuum) [1 bar =100 kPa]
Maximum viscosity	20 cSt (mm ² /s)
Response time	< 20 ms
Internal volume	< 75 µl (connections not included)

fluids (*)	temperature range (TS)	seal materials (*)
liquids or gases	0°C to + 40°C	EPDM (ethylene-propylene)

CONSTRUCTION

Body	PA12
Internal parts	Stainless steel

MATERIALS IN CONTACT WITH FLUID

(*) Ensure that the compatibility of the fluids in contact with the materials is verified

Cover	PEEK
Diaphragm-poppets	EPDM

ELECTRICAL CHARACTERISTICS

Coil insulation class	F
Coil	Two spade terminals 2.8 x 0.5 mm (DIN 46340)
Electrical safety	IEC 335
Electrical enclosure protection	IP40 (EN60529)
Standard voltages	DC (=) : 12V - 24V

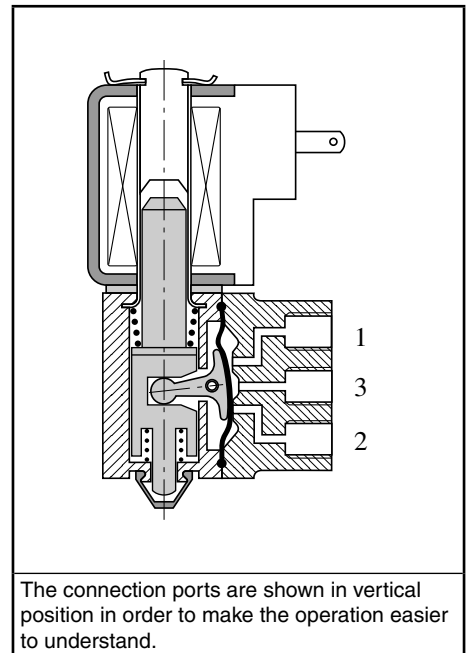
(Other voltages on request)

prefix option	power ratings				operator ambient temperature range (TS) (C°)	replacement coil		type ⁽¹⁾
	inrush ~ (VA)	holding ~ (VA)	hot/cold = (W)			-	=	
	(VA)	(VA)	(W)	(W)		-	24 V DC	
SC	-	-	-	4 / 5	-5 to + 40	-	43004663	01

⁽¹⁾ Refer to the dimensional drawings on the following page.

SPECIFICATIONS

pipe size	orifice size (mm)	flow coefficient Kv (m ³ /h) (l/min)		operating pressure differential (bar)				power coil (W)		catalogue number (protected impulse manual operator)	
				min.	max. (PS)		=				=
					gases (*)	liquids (*)					
=	=	=	=	=	=	=	=	=			
U - Universal											
1/4-28 UNF	1,5	0,05	0,75	-0,7	2	2	-	5	SCE360A404		



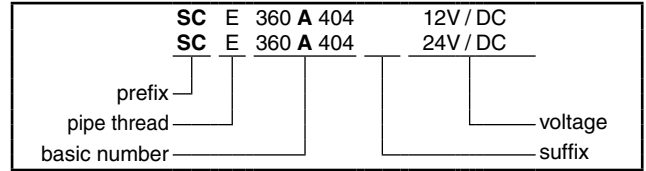
OPTIONS

- Other diaphragm materials are available

INSTALLATION

- The solenoid valves can be mounted in any position without affecting operation
- Standard mounting holes provided at the rear end of the body
- Port connection thread (1/4-28 UNF). Max. torque, see below
- Replacement coils are available
- Installation/maintenance instructions are included with each valve

ORDERING EXAMPLES:

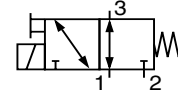
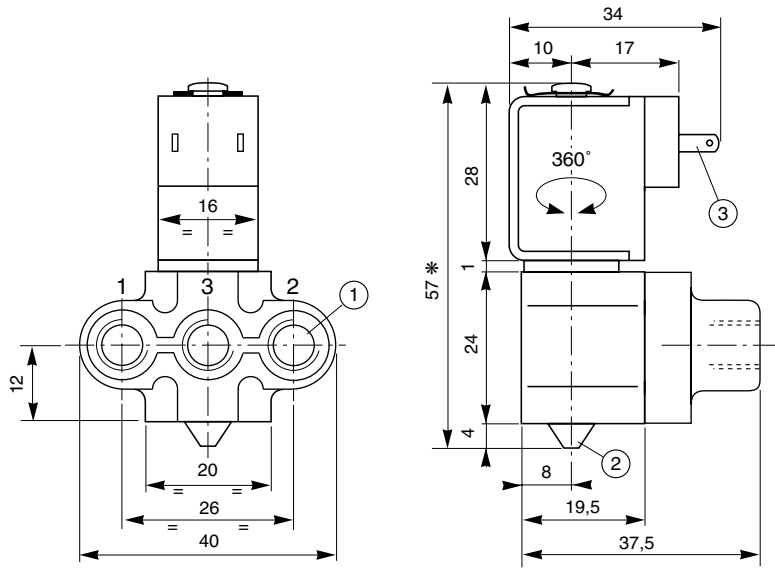


DIMENSIONS (mm), WEIGHT (kg)



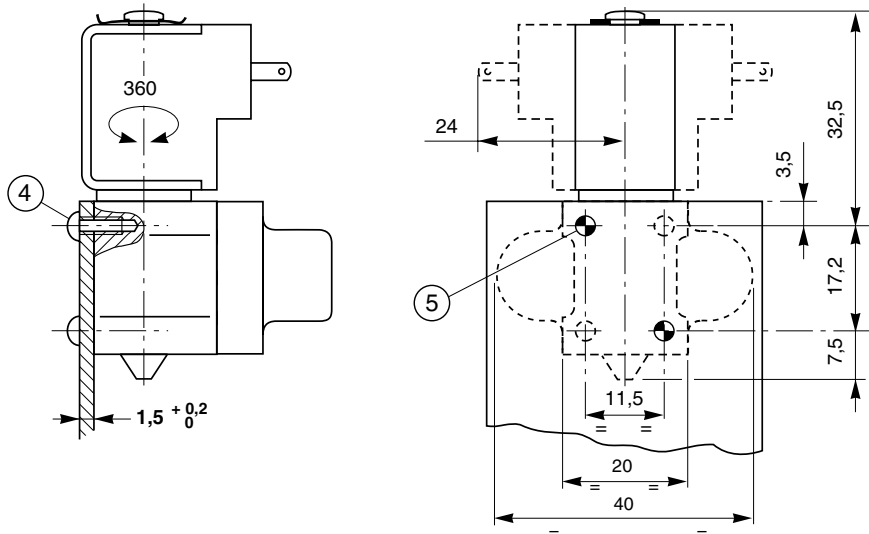
TYPE 01
Prefix "SC" Solenoid
DIN 43340

SCE360A404



- ① Threaded connection:
3 x 1/4-28 UNF.
Max. torque 3 N.m
- ② Protected impulse type manual operator
- ③ Coil with two spade terminals 2,8 x 0,5 (DIN 46340)

REAR MOUNTING



- ④ 2 self thread cutting «Torx» screws
K 22 x 6 - A2 stainless steel
(screws delivered)
- use these screws only
- use plate with correct thickness
- max. torque: 0,3 N.m
- ⑤ Two mounting holes 2.5 mm dia.
Solenoid valve body has four
holes for mounting purpose

type	prefix option	weight ⁽¹⁾
01	SC	0,55

⁽¹⁾ Incl. coil.

All leaflets are available on: www.asconumatics.eu