

FEATURES

- Spool valve protected against food and beverage environment thanks to stainless steel screws and IP67 protection
- The valves offer environmental protection against the ingress of liquids, dusts or other foreign matter (environmentally protected construction)
- A reliable actuator pilot with the holes facing downwards and a moisture resistance

GENERAL

Fluids	Air or neutral gas, filtered, lubricated or not
Operating pressure	2 to 10 bar
Ambient temperature	-25°C to +60°C
Flow (Qv to 6 bar)	5/2 860 l/min (ANR) - Kv : 12,5

CONSTRUCTION

SPOOL VALVE

Body	Aluminium, black anodized
Internal parts	Zinc diecast, stainless steel, POM (polyacetal), aluminium
Seals	NBR (nitrile) and PUR (polyurethane)
Screws	Stainless steel 316L

PILOT VALVE

Seals	NBR (nitrile) and PUR (polyurethane)
Electrical safety	IEC 335
Coil and magnetic circuit	Encapsulated monobloc design
Exhaust	Tapped M5 exhaust port, equipped with exhaust protection



ELECTRICAL CHARACTERISTICS

voltage	consumption		insulation class	protection degree	electrical connection
	inrush	holding			
~ 24V - 48V - 115V - 230V / 50Hz	6 VA	3,5 VA (2,5 W)	F	IP 65	spade plug connector size 22 EN 175301-803, industry standard form B (11 mm) with cable length of 2m
= 24V - 48V	2,5 W				

SPECIFICATIONS

fonction symbol	operators	catalogue number	(M)
5/2	solenoid air pilot (14) return (12)	with coil & connector	
	spring return	SCG551A097MS	●
	solenoid air return	SCG551A098MS	●

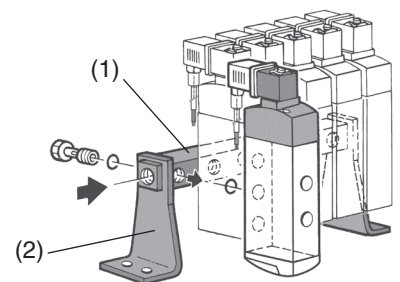
(M) Type of manual operator on pilot(s): ● : maintained

ACCESSORIES

• Supply rails

	supply rail supplied with seals and banjo bolts (without mounting brackets) (1)	supply rail with isolation valves - allows isolation of one or more spool valves from the main pressure supply
supply rail for «n» valves	G 1/4	G 1/4
2	88100034	88100915
3	88100035	88100916
4	88100036	88100917
5	88100037	88100918
6	88100038	88100919
7	88100039	88100920
8	88100040	88100921

- Set of 2 mounting brackets (2) for supply rail - catalogue number : 88100049



(1) supply rail
(2) mounting brackets (x2)

All leaflets are available on: www.asco.com

OPTIONS

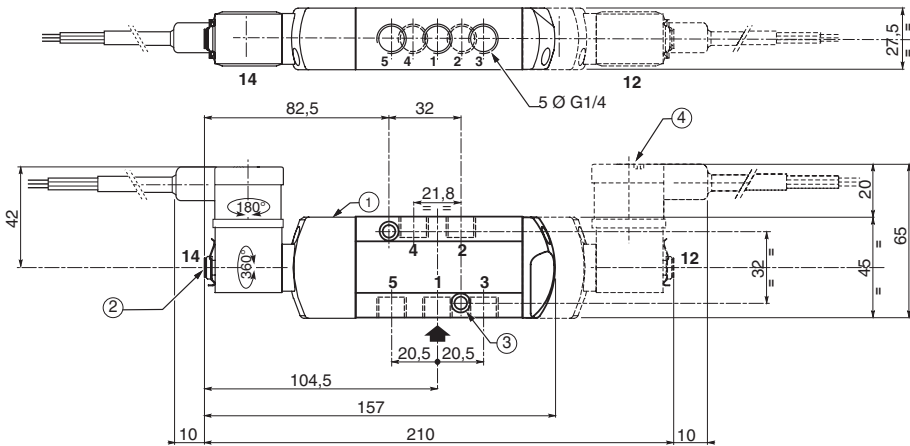
- Other voltages and 60 Hz on request
- Spade connector size 22, IP67 with integrated visual LED and varistor protection with PVC 0,75mm² cable lenght of 2 m: **88100937**
- Electrovalve with connector equipped with visual indicator and built-in electrical protection:

catalogue number of spool valve without connector + catalogue number of connector with visual indicator and built-in electrical protection (~ / =)

24V	48V	115V	230V
88122405	88122406	88122407	88122410

DIMENSIONS (mm), WEIGHT (kg)

Weight: Spool valve + 1 pilot = 0,67 kg
 Spool valve + 2 pilots = 0,73 kg

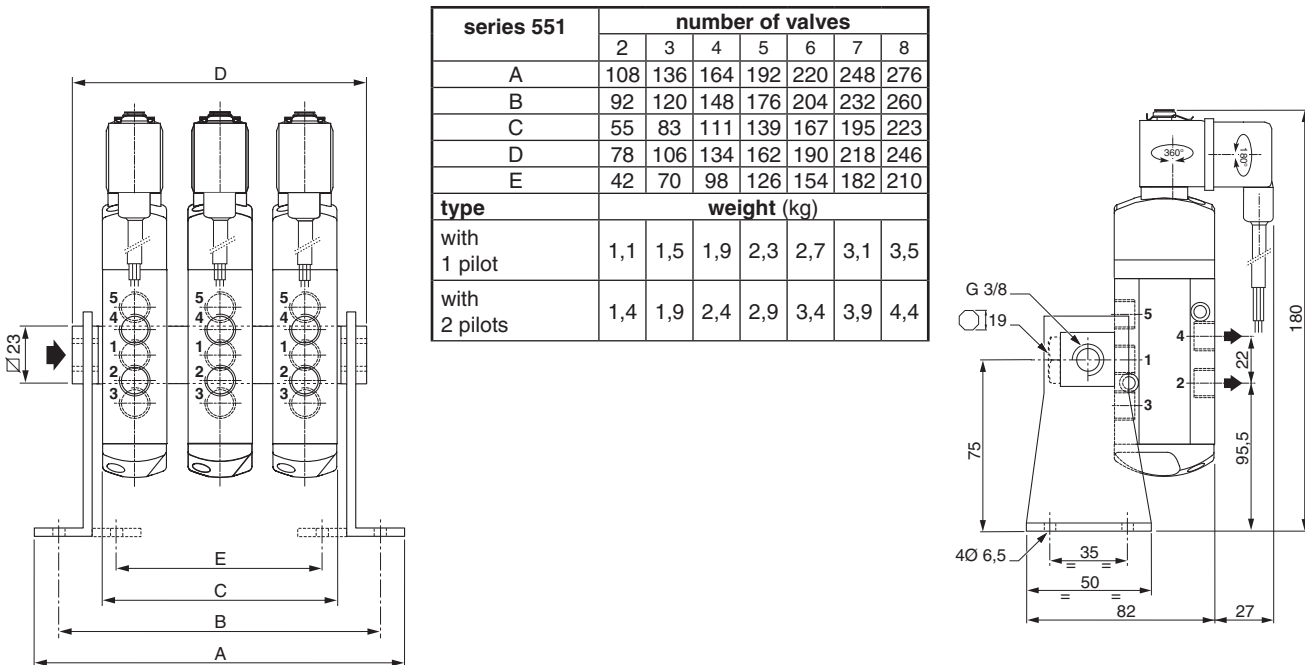


5/2-5/3
 connection
 1 = Pressure
 2,4 = Outlets
 3,5 = Exhausts
 12 = Return
 14 = Pilot

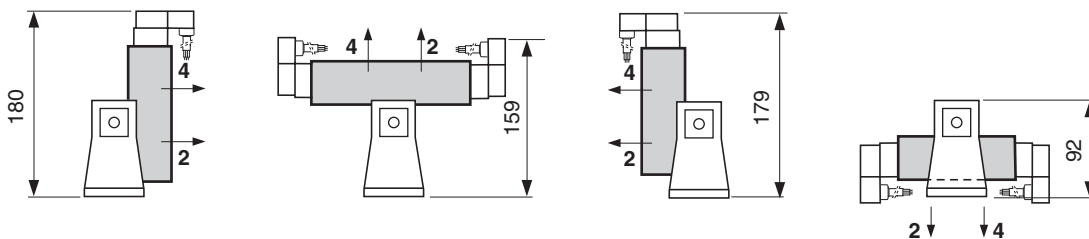
2 mounting holes:

- ① 5,3 mm dia. (Spotfacing: 9 mm dia., depth 5 mm)

ASSEMBLY WITH COMMON SUPPLY RAIL



This mounting arrangement allows valves to be mounted in any of 4 positions



All leaflets are available on: www.asco.com