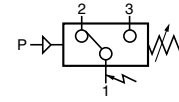


ADJUSTABLE PRESSURE SWITCH

JOUCOMATIC

with or without protection and status indicators
G 1/4 or subbase mounted body



Series
349

GENERAL

PROTECTION

AND STATUS INDICATORS

	WITH	WITHOUT
FLUID	: air ou gaz neutre, filtré, lubrifié ou non	
PRESSURE SETTING	: 0,5 to 10 bar (0,2 - 6 bar on request)	
HYSTERESIS	: 0,4 bar at the beginning of adjustment range 1 bar at the end of adjustment range	

MAX. PRESSURE (PMA)	: 10 bar or 16 bar
OPERATING TEMPERATURE	: -10°C; +60°C : 0°C, +60°C
MAX. VOLTAGE	: 250 V - CA/CC : 24 Volts-courant continu
CURRENT BREAKING CAPACITY	: 5A - 250V resistive : 2A - 24Vcc resistive
PROTECTION DEGREE	: IP65
MOUNTING POSITIONS	: all positions
MAX. SPEED	: 60 cycles per minute

CONSTRUCTION

Grivory (PA61/XT) body / aluminium body for 16 bar version

Nitrile (NBR) sealings

Commutator (reversing switch) •at rest : contact 1 - 2 made
•at work : contact 1 - 3 made

Mechanical service life : 5.10⁶ contacts

Pressure set by set screw and lock-nut

SPECIFICATIONS

Type	Designation	Pressure setting (bar)	catalogue number	
			Without protection	With protection
	Adjustable pressure switch with side pneumatic connection, tapped G1/4	0,2 - 6	34900015	34900016
		0,5 - 10	34900018	34900019
		0,5 - 16	34900021	34900022
	Adjustable pressure switch with subbase mounted pneumatic connection (version adaptable on FRL, see P710)	0,2 - 6	34900027	34900028
		0,5 - 10	34900030	34900031
		0,5 - 16	34900033	34900034

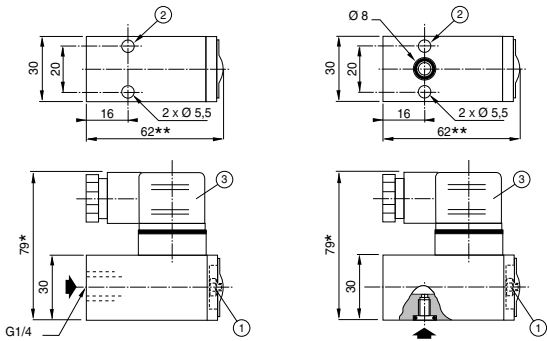
DIMENSIONS AND WEIGHT

Weight : 110 g

Version **without** protection and status indicators

Tapped

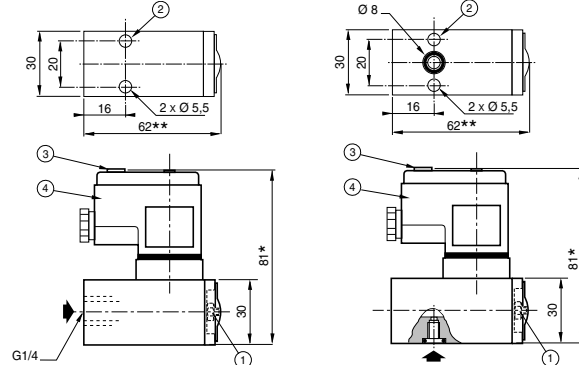
subbase mounted



Version **with** protection and status indicators

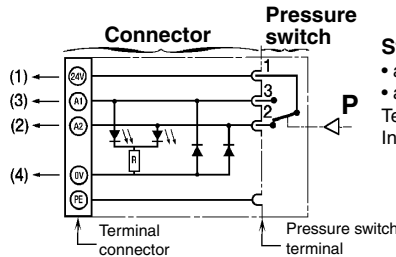
Tapped

subbase mounted



- ① Pressure set screw (spanner for hexagon nuts : 3 mm)
- ② 2 holes Ø 5,5 for mounting
- ③ ISO4400 size 30 connector, 4 terminals, rotatable by 90°
- * + 15 mm for connector clearance
- ** + 2 mm for 0,5 - 16 bar version

ELECTRICAL DIAGRAM



Status indicated by two diodes :

- at rest : contact 1-2 made : orange diode lights
- at work : contact 1-3 made : red diode lights

Terminal connection for 1,5 mm² wire
Integrated interference blanking

- ① Pressure set screw (spanner for hexagon nuts : 3 mm)
- ② 2 holes Ø 5,5 for mounting
- ③ Identification label holder
- ④ ISO 4400 size 30 connector, 4 terminals (**not rotatable**)
- * +15 mm for connector clearance
- ** + 2 mm for 0,5 - 16 bar version

All leaflets are available on: www.asconumatics.eu

00224GB-2010/R01
Availability, design and specifications are subject to change without notice. All rights reserved.