

## FEATURES

- Valves for combustible gas, stainless steel body
- Valves satisfy the Pressure Equipment Directive 2014/68/EU, EN 161 and satisfy the Regulation (EU) 2016/426 on gas appliances  
**EU type examination certificate no.: CERTIGAZ 1312CQ6072 (32 mm operator)**  
**EU type examination certificate no.: CERTIGAZ 1312CP5992 (63 mm operator)**
- All valves are for class D - Groupe 2 service and cover gas family 1 - 2 and 3
- High flow due to angled seat design - fluid entry under the disc
- High performance maintenance-free stuffing box

## GENERAL

fluids	temperature range (TS)	disc seal
gas family 1 - 2 - 3	-10°C to +60°C	PTFE

**Differential pressure** 0 to 1 bar [1 bar =100 kPa]  
**Time for closing / for opening** 1 s max. with pilot solenoid valve directly connected to valve operator

**Pilot fluid** Air  
**Max. pilot pressure** 9 bar  
**Min. pilot pressure** 5,5 bar (32 mm dia.) / 3,5 bar (63 mm dia.)  
**Pilot fluid temperature** -10°C to +60°C

## CONSTRUCTION

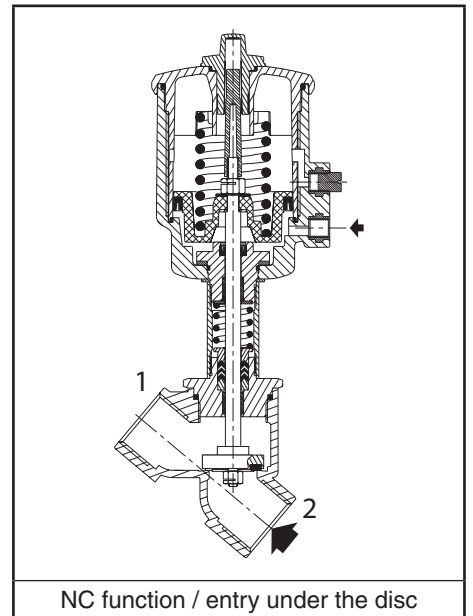
**Valve body** Stainless steel  
**Stuffing box packing** PTFE chevrons  
**Disc seal** PTFE  
**Operator** Glass fibre filled PA  
**Pilot port insert** Brass

## PILOT SOLENOID VALVES SELECTION

- Must meet European low voltage directive and electromagnetic compatibility requirements
- Non-locking NC 3/2 versions (without manual operator)
- Must allow the main valve to close automatically as per standard EN 161

operator diameter (mm)	Kv (m <sup>3</sup> /h) min. <sup>(1)</sup> through pilot valve required to		pilot valve recommended (without manual operator)	
	close the valve	open the valve	description	catalogue number
32/63	0,04	0,04	356 G1/8 Ø1,2	SCG356B061V

<sup>(1)</sup> Including pipe up to main valve.



## SPECIFICATIONS

piping (ISO 6708)		flow coefficient Kv <sup>(2)</sup>		pilot pressure (bar)		operating pressure differential (bar)		operator diameter (mm)	catalogue number	
pipe size G* / NPT	DN	(m <sup>3</sup> /h)	(l/min)	min.	max.	min.	max.		G*	NPT
<b>NC - Normally closed, entry under the disc</b>										
3/8	10	25	410	5,5	9	0	1	32	EGE290A791	EG8290A791
1/2	15	40	660	5,5	9	0	1	32	EGE290A792	EG8290A792
		60	1000	3,5	9	0	1	63	EGE290B045	EG8290B045
3/4	20	75	1250	5,5	9	0	1	32	EGE290A793	EG8290A793
		100	1650	3,5	9	0	1	63	EGE290B047	EG8290B047
1	25	190	3150	3,5	9	0	1	63	EGE290B051	EG8290B051
1 1/4	32	300	5000	3,5	9	0	1	63	EGE290A057	EG8290A057
1 1/2	40	390	6500	3,5	9	0	1	63	EGE290A063	EG8290A063
2	50	420	7500	3,5	7	0	1	63	EGE290A067	EG8290A067

<sup>(2)</sup> For 100 mbar (DN15 to DN32) & 60 mbar (DN40) pressure drop air (reference density air at 1.013 mbar and 15°C).

01047GB-2018/R01  
Availability, design and specifications are subject to change without notice. All rights reserved.

### OPTIONS (CERTIFIED EN 161)

- Signaling box with mechanical or inductive contacts [SM2/SI2 ([www.asco.com](http://www.asco.com))]
- Signaling box, intrinsically safe inductive contacts NAMUR [SH2 ATEX, ([www.asco.com](http://www.asco.com))]
- Positioner<sup>D</sup> ([www.asco.com](http://www.asco.com))

### INSTALLATION

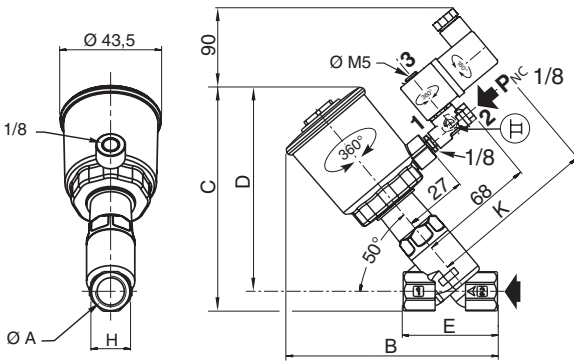
- Install strainer upstream of valve with a mesh size below 1.5 mm through which a 1 mm dia. rod cannot pass
- The valves can be mounted in any position without affecting operation
- Installation/maintenance instructions are included with each valve
- Spare parts kits are available

### DIMENSIONS (mm), WEIGHT (kg)



#### TYPE 01

32 mm operator  
Fluid entry:  
under the disc at 2



type	operator diameter	ØA	B	C	D	E	H	K <sup>(1)</sup>	weight	
									<sup>(2)</sup>	<sup>(3)</sup>
01	32 mm	3/8	92	93	81,5	55	23,5	102	0,18	0,35
		1/2	99	97	81,5	65	28	102	0,23	0,4
		3/4	107	104,5	88	75	30	102	0,28	0,45

<sup>(1)</sup> Maximum size with pilot.

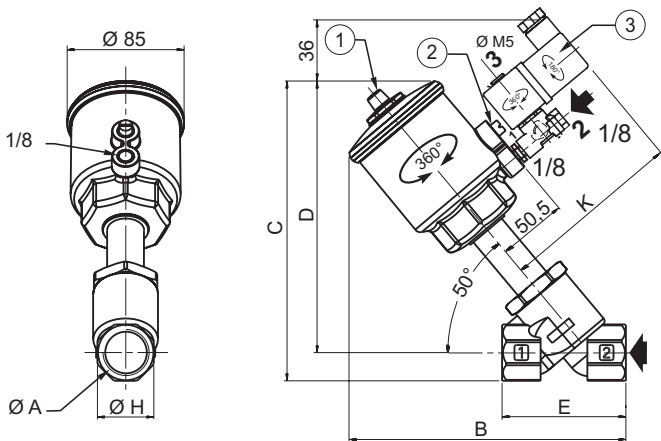
<sup>(2)</sup> Weight of the valves without pilot.

<sup>(3)</sup> Weight of the valves with pilot.



#### TYPE 02

63 mm operator  
Fluid entry:  
under the disc at 2



type	operator diameter	ØA	B	C	D	E	H	K <sup>(1)</sup>	weight	
									<sup>(2)</sup>	<sup>(3)</sup>
02	63 mm	1/2	170	182	169	65	27	125,5	1,2	1,37
		3/4	175	185	170	75	32	125,5	1,3	1,47
		1	179	192	172	90	41	125,5	1,7	1,87
		1 1/4	217	229	204	110	50	125,5	2,1	2,27
		1 1/2	224	245	215	120	60	125,5	2,9	3,07
		2	249	259	224	150	70	125,5	3,7	3,87

① Optical position indicator

② Filter-plug (non-removable)

③ Pilot solenoid valve despatched separately:  
see preceding page

<sup>(1)</sup> Maximum size with pilot.

<sup>(2)</sup> Weight of the valves without pilot.

<sup>(3)</sup> Weight of the valves with pilot.

All leaflets are available on: [www.asco.com](http://www.asco.com)