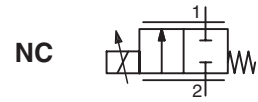




PROPORTIONAL SOLENOID VALVE

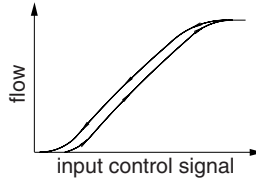
POSIFLOW
direct operated
1/8



2/2
Series
202

FEATURES

- Variable flow, proportional to the control signal
- Valves do not require a minimum operating pressure
- Valves can be mounted in any position
- The solenoid valves satisfy all relevant EU directives



GENERAL

Differential pressure See «SPECIFICATIONS» [1 bar = 100 kPa]
Maximum viscosity 50 cSt (mm²/s)

| fluids (*) | temperature range (TS) | seal materials (*) |
|----------------------------|------------------------|-----------------------|
| air, inert gas, water, oil | 0°C to +50°C | FPM (fluoroelastomer) |

MATERIALS IN CONTACT WITH FLUID

(*) Ensure that the compatibility of the fluids in contact with the materials is verified

| | Brass body | Stainless steel body |
|-------------------------|-----------------|----------------------|
| Body | Brass | AISI 303 |
| Core tube | Stainless steel | Stainless steel |
| Core and plugnut | Stainless steel | Stainless steel |
| Springs | Stainless steel | Stainless steel |
| Riderring | PTFE | PTFE |
| Seat | Brass | Stainless steel |
| Seals | FPM | FPM |
| Disc | FPM | FPM |
| Breaker piece | Stainless steel | Stainless steel |

ELECTRICAL CHARACTERISTICS

Coil insulation class F
Connector Spade plug (cable Ø 6-8 mm)
Connector specification DIN 43650, 11 mm, industry standard B
Electrical safety IEC 335
Electrical enclosure protection Moulded IP65 (EN 60529)
Standard voltages DC (=) : 24V (Other voltages on request)

| prefix option | operating current (mA) | power ratings | | | operator ambient temperature range (TS) ⁽²⁾ (°C) | replacement coil = 24 V DC | type ⁽¹⁾ |
|---------------|------------------------|---------------|----------------|----------------|---|----------------------------|---------------------|
| | | inrush ~ (VA) | holding ~ (VA) | hot/cold = (W) | | | |
| SC | 100 - 450 | - | - | - | 8,6 / 6,3 | 0 to +40 | 01 |

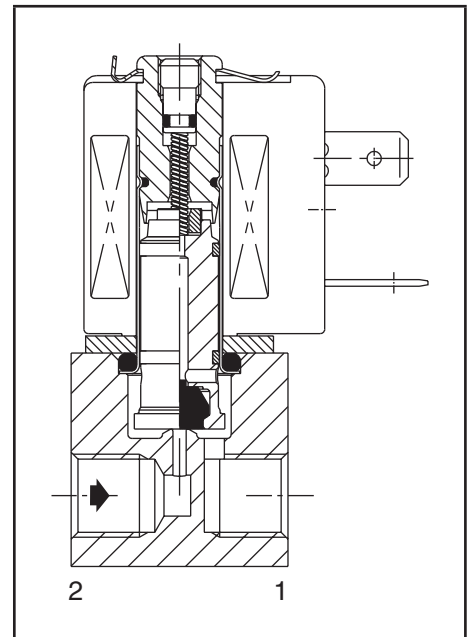
Voltage regulation 0 - 24 V DC
24 V DC pulse width modulated (400 Hz)

Flow regulation characteristics⁽²⁾ Hysteresis < 5%; Repeatability < 1%; Sensitivity < 1%

SPECIFICATIONS

| pipe size | orifice size (mm) | flow coefficient Kv (m ³ /h) (l/min) | operating pressure differential (bar) max. (PS) | | | | power coil (W) | catalogue number | | options | | | | |
|-----------------------------|-------------------|---|---|--------|---------|-----------|----------------|------------------|-------|-----------------|-------------|------|---|---|
| | | | min. | vacuum | air (*) | water (*) | | oil (*) | brass | stainless steel | EPDM | PTFE | | |
| G | (mm) | (m ³ /h) (l/min) | = | = | = | = | = | = | = | | | | | |
| NC - Normally closed | | | | | | | | | | | | | | |
| 1/8 | 1,2 | 0,05 | 0,7 | 0 | 1 | 8 | 5 | 5 | 6,3 | SCG202A201V | SCG202A205V | E | T | - |
| | 1,6 | 0,07 | 1,1 | 0 | 1 | 6 | 4 | 4 | 6,3 | SCG202A202V | SCG202A206V | E | T | - |
| | 2,4 | 0,13 | 2,2 | 0 | 1 | 4 | 3 | 3 | 6,3 | SCG202A203V | SCG202A207V | E | T | - |
| | 3,2 | 0,18 | 2,9 | 0 | 1 | 2,5 | 2,5 | 2,5 | 6,3 | SCG202A204V | SCG202A208V | E | T | - |

(1) Refer to the dimensional drawings on the following page.
(2) Percentage of max. value with 24 V DC, P.W.M. 400 Hz, supply at constant differential pressure.



00020GB-2018/R01 Availability, design and specifications are subject to change without notice. All rights reserved.

All leaflets are available on: www.asco.com



青岛秉诚自动化设备有限公司
地址：中国·青岛市重庆南路99号海尔云街甲3号楼7F

服务热线：4006-918-365
网址：<http://www.ivalve.com>

Proportional Valves - 9
传真：(86-532)585-10-365
Email：sales@bechinas.com

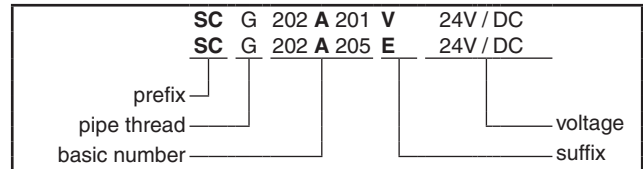
OPTIONS

- Valves can also be supplied with NBR (nitrile), EPDM (ethylene propylene) and PTFE seals and discs
- Explosionproof enclosures for use in zones 1/21-2/22, categories 2-3 to ATEX Directive 2014/34/EU, on request
- Electrical enclosures according to "NEMA" standards are available
- Mounting brackets
- Electronic proportional control unit [catalogue number: **E908A003** (www.asco.com) / **X90850164500100-0200** (www.asco.com)]
Features:
 - analog input control signals: 0 - 10 V DC, 0 - 20 mA or 4 - 20 mA
 - coil current (= flow rate) adjustable to required control signals
 - switch-off function at less than 2% of the maximum control function
 - adjustable ramp control
 - adjustable frequency
 - output current independent of coil resistance and supply voltage variations
 - housed in: a box with spade plug connector according to ISO 4400 / IP65
- Other pipe connections are available on request

INSTALLATION

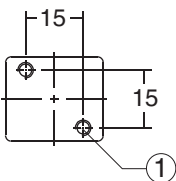
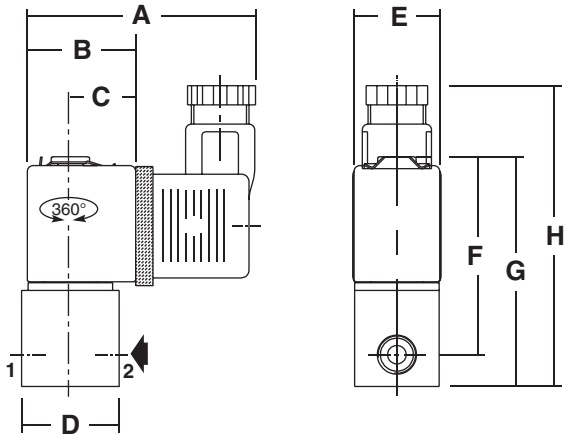
- The solenoid valves can be mounted in any position without affecting operation
- Solenoid valves have 2 mounting holes in body
- Threaded pipe connection is standard: G = G (ISO 228/1)
- Installation/maintenance instructions are included with each valve

ORDERING EXAMPLES:



DIMENSIONS (mm), WEIGHT (kg)

TYPE 01
Prefix "SC" Solenoid
Epoxy moulded
IEC 335 / DIN 43650
IP65



| type | prefix option | A | B | C | D | E | F | G | H | X | weight ⁽¹⁾ |
|------|---------------|----|----|----|----|----|----|----|----|---|-----------------------|
| 01 | SC | 59 | 28 | 17 | 25 | 22 | 52 | 60 | 78 | - | 0,2 |

⁽¹⁾ including coil and connector.

All leaflets are available on: www.asco.com