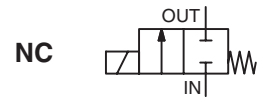




# SOLENOID VALVES

direct operated  
for vacuum service  
3/8 - 1/2



2/2  
Series  
030

## FEATURES

- Special materials and handling procedures are used in the high vacuum valves to avoid molecular contamination
- The medium and high vacuum valves are mass spectrometer tested
- Brass bodied solenoid valves designed to provide maximum flow
- Direct lift solenoid valves have a resilient soft seating for absolute tight shut-off on low pressures
- The solenoid valves do not require a minimum operating pressure
- The solenoid valves satisfy all relevant EU Directives

## GENERAL

Differential pressure 1 bar absolute [1 bar = 100 kPa]  
Response time 5 - 40 ms

fluids (*)	temperature range (TS)	seal materials (*)
air, inert gas	- 20°C to + 90°C	NBR (nitrile) FPM (fluoroelastomer)



## MATERIALS IN CONTACT WITH FLUID

(\*) Ensure that the compatibility of the fluids in contact with the materials is verified

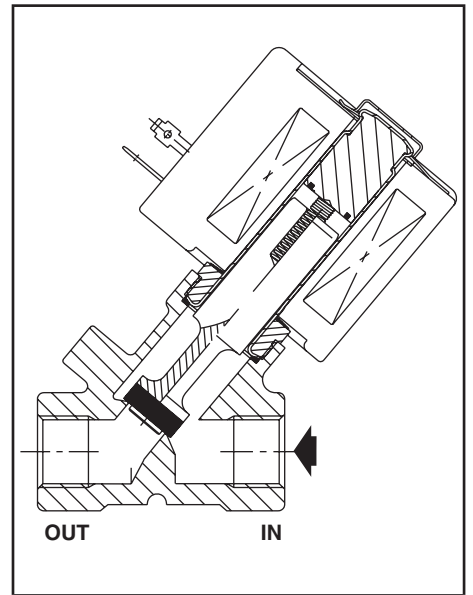
Body	Brass
Core tube	Stainless steel
Core and plugnut	Stainless steel
Spring	Stainless steel
Seat	Brass
Seal	NBR or FPM
Discs	NBR or FPM
Shading coil	Copper

## ELECTRICAL CHARACTERISTICS

Coil insulation class F  
Connector Spade plug (cable Ø 6-10 mm)  
Connector specification ISO 4400 / EN 175301-803, form A  
Electrical safety IEC 335  
Electrical enclosure protection Moulded IP65 (EN 60529)  
Standard voltages DC (=) : -  
(Other voltages and 60 Hz on request) AC (~) : 24V - 48V - 115V - 230V / 50 Hz

prefix option	power ratings			operator ambient temperature range (TS) (C°)	replacement coil		type <sup>(1)</sup>
	inrush ~	holding ~	hot/cold =		~	=	
	(VA)	(VA) (W)	(W)		230 V/50 Hz	-	
SC	55	23 10,5	-	-20 to + 75	400425-117	-	01
	110	33,6 15,4	-	-20 to + 75	400525-117	-	02

<sup>(1)</sup> Refer to the dimensional drawings on the following page.



## SPECIFICATIONS

pipe size	orifice size	flow coefficient Kv		minimum absolute vacuum pressure (PS)	power coil (W)	catalogue number	options		
		(m³/h)	(l/min)				maintained	man. operator	
Rp	(mm)	(m³/h)	(l/min)	mbar (Torr)	~	~			
<b>NC - Normally closed, low vacuum range to 25 Torr, NBR seals</b>									
3/8	9	1,5	25	33,3 (25)	10,5 -	SCE030B013	-	-	-
1/2	11	2,4	40	33,3 (25)	15,4 -	SCE030A017	-	-	-
<b>NC - Normally closed, medium vacuum range to 10<sup>-3</sup> Torr, NBR seals</b>									
3/8	9	1,5	25	1,33.10 <sup>-3</sup> (10 <sup>-3</sup> )	10,5 -	SCE030B013VM	-	-	-
1/2	11	2,4	40	1,33.10 <sup>-3</sup> (10 <sup>-3</sup> )	15,4 -	SCE030A017VM	-	-	-
<b>NC - Normally closed, high vacuum range to 10<sup>-6</sup> Torr, FPM seals</b>									
3/8	9	1,5	25	1,33.10 <sup>-6</sup> (10 <sup>-6</sup> )	10,5 -	SCE030B013VH	-	-	-
1/2	11	2,4	40	1,33.10 <sup>-6</sup> (10 <sup>-6</sup> )	15,4 -	SCE030A017VH	-	-	-

00168GB-2018/R01  
Availability, design and specifications are subject to change without notice. All rights reserved.

All leaflets are available on: [www.asco.com](http://www.asco.com)



青岛秉诚自动化设备有限公司  
地址：中国·青岛市重庆南路99号海尔云街甲3号楼7F

服务热线：4006-918-365  
网址：http://www.ivalve.com

Vacuum Service (2/2) - 5  
传真：(86-532)585-10-365  
Email：sales@bechinas.com

### OPTIONS

- Waterproof enclosure with embedded screw terminal coil according to protection class IP67, CEE-10
- Explosionproof enclosures for use in zones 1/21-2/22, categories 2-3 to ATEX Directive 2014/34/EU ([www.asco.com](http://www.asco.com))
- Electrical enclosures according to "NEMA" standards are available
- Compliance with "UL", "CSA" and other local approvals available on request
- Mounting brackets, suffix MB
- Other pipe connections are available on request
- Connector with visual indication and peak voltage suppression or with cable length of 2 m ([www.asco.com](http://www.asco.com))

### INSTALLATION

- The solenoid valves can be mounted in any position without affecting operation
- Pipe connection identifier is E = Rp (ISO 7/1)
- Installation/maintenance instructions are included with each valve

### SPARE PARTS KITS & ACCESSORIES

catalogue number	spare parts kit no.		mounting bracket no.
	~	=	
SCE030B013	<b>C302788</b>	-	<b>093200-001</b>
SCE030A017	<b>C302790</b>	-	<b>093200-001</b>

<sup>(1)</sup> Standard prefixes/suffixes are also applicable to kits.

### ORDERING EXAMPLES:

SC	E	030	B	013	230V / 50 Hz
SC	E	030	B	013	MO 115V / 50 Hz
SC	E	030	A	017	VM 24V / 50 Hz
SC	E	030	A	017	VH 230V / 50 Hz

Diagram labels: prefix (SC), pipe thread (E), basic number (030), suffix (B, A, VM, VH), voltage (230V / 50 Hz).

### ORDERING EXAMPLES KITS:

C302788 <sup>(1)</sup>	VM
C302788	VH

Diagram labels: basic number (C302788), suffix (VM, VH).

### DIMENSIONS (mm), WEIGHT (kg)

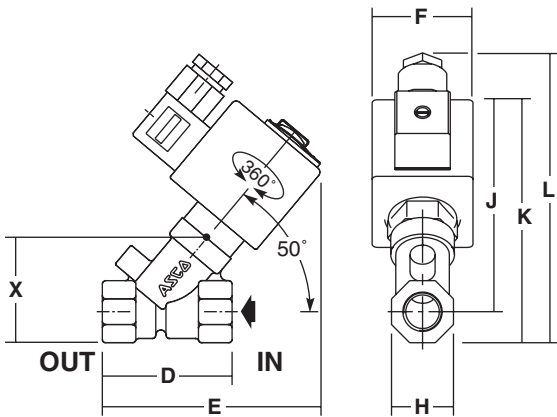


#### TYPE 01-02

Prefix "SC" Solenoid  
Epoxy moulded  
IEC 335 / ISO 4400  
IP65

Type 01: SCE030B013/B013VM/B013VH

Type 02: SCE030A017/A017VM/A017VH



type	prefix option	A	B	C	D	E	F	H	J	K	L	X	weight <sup>(2)</sup>
01	SC	-	-	-	48	80	45	22	84	95	126	36	0,5
02	SC	-	-	-	58	98	50	28	94	108	128	42	0,9

<sup>(2)</sup> including coil and connector.

All leaflets are available on: [www.asco.com](http://www.asco.com)

6 - Vacuum Service (2/2)

**BCAE**  
Automation Solutions

青岛秉诚自动化设备有限公司  
地址：中国·青岛市重庆南路99号海尔云街甲3号楼7F

服务热线：4006-918-365  
网址：http://www.ivalve.cc

传真：(86-532)585-10-365  
Email：sales@bechinas.com