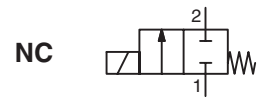




SOLENOID VALVES

direct operated
for low pressure gas, according to EN 161
1/8 - 1/4



2/2
Series
262

FEATURES

- For gas pilot and gas burner control on industrial atmospheric and forced draught burners, also used in kilns and furnaces in process industries
- All valves have been type tested to EN 161 and satisfy the European gas appliance directive (2009/142/EC)
Certificate of conformity BSI: No. CE 592900
- All valves are for class A group 2 service and cover gas family 1, 2 and 3
- All valves are suitable to withstand 150 mbar back pressure
- Direct lift valves with resilient soft seating for tight shut-off

GENERAL

Differential pressure See «SPECIFICATIONS» [1 bar = 100 kPa]
Response time 1 s max.

fluids (*)	temperature range (TS)	seal materials (*)
combustible gas	0°C to +60°C	NBR (nitrile)



MATERIALS IN CONTACT WITH FLUID

(*) Ensure that the compatibility of the fluids in contact with the materials is verified

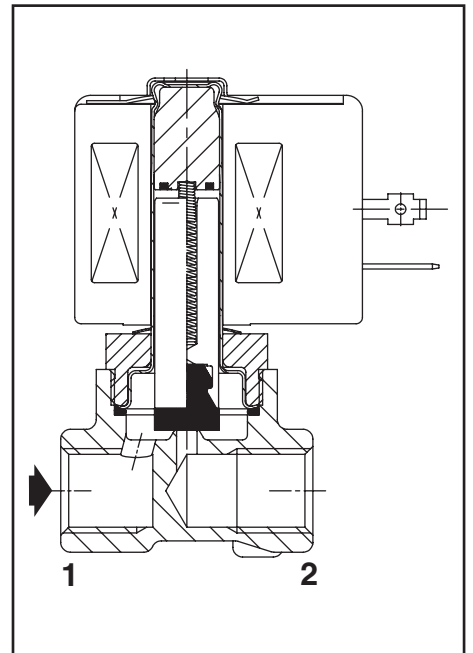
Body	Brass
Core tube	Stainless steel
Core and plugnut	Stainless steel
Springs	Stainless steel
Seat	Brass
Seals	NBR
Disc	NBR
Shading coil	Copper

ELECTRICAL CHARACTERISTICS

Coil insulation class F
Connector Spade plug (cable Ø 6-10 mm)
Connector specification ISO 4400 / EN 175301-803, form A
Electrical safety IEC 335
Electrical enclosure protection Moulded IP65 (EN 60529)
Standard voltages AC (~) : 24V - 48V - 115V - 230V / 50 Hz
(Other voltages on request)

prefix option	power ratings				operator ambient temperature range (TS) (C°)	replacement coil		type ⁽¹⁾
	inrush ~	holding ~		hot/cold =		~	=	
	(VA)	(VA)	(W)	(W)		230 V/50 Hz		
SC	30	16	6	-	0 to +60	400919-117	-	01

⁽¹⁾ Refer to the dimensional drawings on the following page.



SPECIFICATIONS

pipe size	orifice size	flow ⁽²⁾		operating pressure differential (bar)				power coil (W)		catalogue number
				min.	max. (PS)		gas (*)			
					~	=				
Rp	(mm)	(m³/h)	(l/min)							
NC - Normally closed										
1/8	3,2	0,41	6,83	0	2,76	-	6	-	EGSCE262C002	
1/4	6,7	1,12	18,67	0	2,1	-	6	-	EGSCE262C090	

⁽²⁾ For 2,5 mbar pressure drop air 1,0 s.g. at 1,013 mbar and 15°C.

00111GB-2016/R01
Availability, design and specifications are subject to change without notice. All rights reserved.

H

All leaflets are available on: www.asconumatics.eu



青岛秉诚自动化设备有限公司
地址：中国·青岛市重庆南路99号海尔云街甲3号楼7F

服务热线：4006-918-365
网址：<http://www.ivalve.com>

传真：(86-532)585-10-365
Email：sales@bechinas.com

V902-13-1

OPTIONS

- Mounting brackets, suffix MB
- Plug with visual indication and peak voltage suppression or with cable length of 2 m (see Solenoids, Coils & Accessories section)

INSTALLATION

- The solenoid valves can be mounted in any position without affecting operation
- Solenoid valves have 2 mounting holes in body
- Pipe connection identifier is E = Rp (ISO 7/1)
- Installation/maintenance instructions are included with each valve

SPARE PARTS KIT & ACCESSORIES

catalogue number	spare parts kit no.		mounting bracket no.
	~	=	
EGSCE262C002	K320014	-	164706-001
EGSCE262C090	K312979	-	254573-001

- Not available.

ORDERING EXAMPLES:

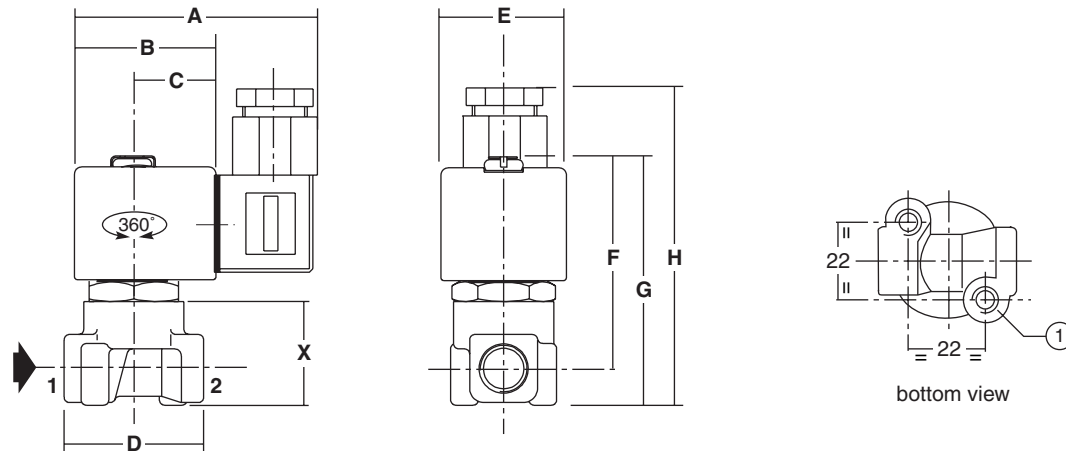
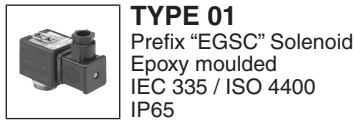
EGSC	E	262	C 002	230V / 50 Hz
EGSC	E	262	C 290	24V / 50 Hz

prefix ———
 pipe thread ———
 basic number ———
 voltage ———
 suffix ———

ORDERING EXAMPLES KITS:

K320014	basic number ———
K312979	

DIMENSIONS (mm), WEIGHT (kg)



type	prefix option	catalogue number	A	B	C	D	E	F	G	H	X	weight (2)
01	SC	EGSCE262C002	75	45	27	30	39	56	65	81	20	0,3
		EGSCE262C090	75	45	27	40	39	65	75	92	30	0,4

① 2 mounting holes Ø M4, depth 6 mm

(2) including coil and connector.

All leaflets are available on: www.asconumatics.eu