

FEATURES

- Special materials and handling procedures are used in the high vacuum valves to avoid molecular contamination
- The high vacuum valves are mass spectrometer tested
- Valves do not require a minimum operating pressure and are suitable for low, high vacuum
- Valve operation is not affected by mounting position
- Compliance with UL and CSA standards
- The solenoid valves satisfy all relevant EU directives

GENERAL

Differential pressure See «SPECIFICATIONS» [1 bar =100 kPa]
Maximum viscosity 65 cSt (mm²/s)
Response time 5 - 25 ms

fluids (*)	temperature range (TS)	seal materials (*)
air, inert gas	-25°C to +80°C	NBR (nitrile)
		FPM (fluoroelastomer)

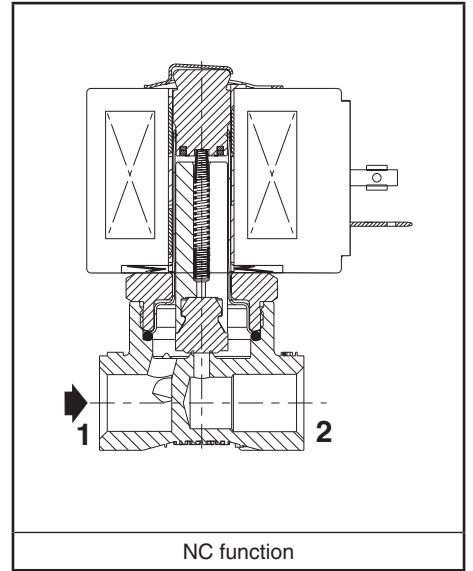


GENERAL

MATERIALS IN CONTACT WITH FLUID

(*) Ensure that the compatibility of the fluids in contact with the materials is verified

Body	Brass
Shading coil	Copper
Core tube	Stainless steel, AISI 305
Core and pluggnut	Stainless steel, AISI 430F
Springs	Stainless steel, AISI 302
Seal	NBR or FPM
Disc	NBR or FPM



NC function

ELECTRICAL CHARACTERISTICS

Coil insulation class	F (AC) or H (DC)
Connector	Spade plug (cable Ø 6-10 mm)
Connector specification	ISO 4400 / EN 175301-803, form A
Electrical safety	IEC 335
Electrical enclosure protection	Moulded IP65 (EN 60529)
Standard voltages	DC (=) : 24V - 48V
(Other voltages and 60 Hz on request)	AC (~) : 24V - 48V - 115V - 230V/50 Hz

operator ambient temperature range (TS) (°C)	power ratings			replacement coil ⁽¹⁾	
	inrush ~ (VA)	holding ~ (VA)	hot/cold = (W)	~	=
-25 to +55	30	16	8,1	7,7/ 10,6	238213-059 238513-006

⁽¹⁾ All 238 basic numbers are UL & CSA approved and marked with the UR (recognised component) & CSA logos.

OPTIONS

Seals and disc (*) ⁽²⁾ (fluid temperature range)	FPM (fluoroelastomer): -15°C to +100°C (coil class F) -15°C to +120°C (coil class H)
Connector with visual indication and peak voltage suppression or with cable length of 2 m (www.asco.com)	
Explosionproof enclosures for use in zones 1/21-2/22, categories 2-3 to ATEX Directive 2014/34/EU (See page 2)	

(*) Ensure that the compatibility of the fluids in contact with the materials is verified.

⁽²⁾ The minimum ambient temperature of the solenoid valve is determined by the limitations of minimum temperature indicated.

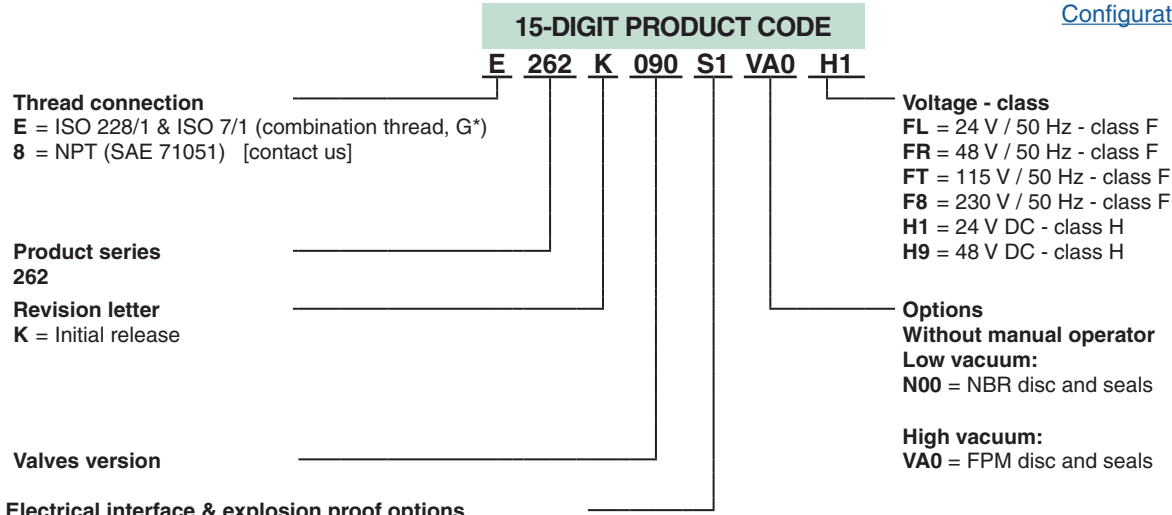
SPECIFICATIONS

										15-DIGIT PRODUCT CODE													
pipe size	orifice size	flow coefficient Kv	minimum absolute vacuum pressure				power coil (W)	thread type	dimensions / type (1)	brass													
			(PS)							~	=	voltage code											
			max. (PS)									24 V/50 Hz	48 V/50 Hz	115 V/50 Hz	230 V/50 Hz	24 V/DC	48 V/DC						
	(mm)	(m ³ /h)/(l/min)	min.	air (*)																			
				mbar (Torr)																			
WITHOUT MANUAL OPERATOR																							
NC - Normally closed, low vacuum range to 25 Torr, NBR seals																							
1/4	7,1	0,76	12,7	0	33,3 (25)			8,1	10,6	G*	01	E262K090S1N00											
NC - Normally closed, high vacuum range to 10 ⁻⁶ Torr, FPM seals																							
1/4	7,1	0,76	12,7	0	1,33.10 ⁻⁶ (10 ⁻⁶)			8,1	10,6	G*	01	E262K090S1VA0						FL	FR	FT	F8	H1	H9

(1) For dimensions, see drawing(s) for each construction type on the following page(s).

(*) Ensure that the compatibility of the fluids in contact with the materials is verified.

[Configurator - CAD Files](#)


Electrical interface & explosion proof options

- S1** = With spade plug connector
- FN** = Aluminium enclosure, 1/2 NPT conduit, IECEx/ATEX
 II 2G/D Ex d IIC T6..T4 Gb / Ex tb IIIC Db IP66/IP67, zone 1-21 (equivalent to [NF](#) prefix)⁽²⁾
- FT** = Aluminium enclosure, 20 mm conduit, IECEx/ATEX
 II 2G/D Ex d IIC T6..T4 Gb / Ex tb IIIC Db IP66/IP67, zone 1-21 (equivalent to [NFET](#) prefix)⁽²⁾
- FS** = AISI 316L enclosure, 1/2 NPT conduit, IECEx/ATEX
 II 2G/D Ex d IIC T6..T4 Gb / Ex tb IIIC Db IP66/IP67, zone 1-21 (equivalent to [WSNF](#) prefix)⁽²⁾
- FU** = AISI 316L enclosure, 20 mm conduit, IECEx/ATEX
 II 2G/D Ex d IIC T6..T4 Gb / Ex tb IIIC Db IP66/IP67, zone 1-21 (equivalent to [WSNFET](#) prefix)⁽²⁾
- MV** = Steel enclosure, M20 cable gland, IECEx/ATEX
 II 2G Ex e mb IIC Gb T3, II2D Ex tb IIIC Db IP66/IP67, zone 1-21 (equivalent to [EM](#) prefix)⁽²⁾
- MT** = Steel enclosure, 20 mm conduit, IECEx/ATEX
 II 2G Ex e mb IIC Gb T3, II2D Ex tb IIIC Db, zone 1-21 (equivalent to [EMET](#) prefix)⁽²⁾
- MN** = Steel enclosure, 1/2 NPT conduit, IECEx/ATEX
 II 2G Ex e mb IIC Gb T3, II2D Ex tb IIIC Db IP66/IP67, zone 1-21 (equivalent to [EMT](#) prefix)⁽²⁾
- MW** = AISI 316L enclosure, M20 cable gland, IECEx/ATEX
 II 2G Ex e mb IIC Gb T3, II2D Ex tb IIIC Db IP66/IP67, zone 1-21 (equivalent to [WSEM](#) prefix)⁽²⁾
- MU** = AISI 316L enclosure, 20 mm conduit, IECEx/ATEX
 II 2G Ex e mb IIC Gb T3, II2D Ex tb IIIC Db IP66/IP67, zone 1-21 (equivalent to [WSEMET](#) prefix)⁽²⁾
- MS** = AISI 316L enclosure, 1/2 NPT conduit, IECEx/ATEX
 II 2G Ex e mb IIC Gb T3, II2D Ex tb IIIC Db IP66/IP67, zone 1-21 (equivalent to [WSEMT](#) prefix)⁽²⁾
- A7** = Moulded enclosure, epoxy encapsulated, integrated cable, IECEx/ATEX
 II2G Ex mb IIC Gb T3(~/)T4(~/), II2D Ex mb IIIC Db IP67, zone 1-21 (equivalent to [PV](#) prefix)⁽²⁾
- SG** = Moulded coil with connector, epoxy encapsulated, ATEX
 II 3 D Ex tc IIIC T115°C Dc IP65X, zone 22 (equivalent to [SG](#) prefix)⁽²⁾

⁽²⁾ Search prefix in asco.com to get detailed technical information.

Please note that the valve pressure ratings with some of the ATEX enclosures will be reduced.

To obtain the correct pressure rating please check the landing pages of the "[2-Way Solenoid Valve DIN Configurator](#)".

		SPARE PARTS KITS CODE (*)					
		AC (~)			DC (=)		
		NBR	FPM		NBR	FPM	
	E262K090S1N00	M200001	N00	-	M200005	N00	-
	E262K090S1VA0	M200001	-	VA0	M200005	-	VA0

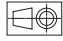
		ACCESSORIES CODE
	Mounting bracket Steel version (AISI 1010 / 1.1121)	M200094A00
	Mounting bracket Stainless steel version (AISI 304 / 1.4301)	M200095A00

INSTALLATION

- The solenoid valves can be mounted in any position without affecting operation
- Solenoid valves have 2 mounting holes in body
- Thread connection "E" have standard thread according to ISO 228/1 and ISO 7/1
- Thread connection "8" have standard thread = NPT (SAE 71051)
- Installation/maintenance instructions are included with each valve

01470GB-2018/R01
Availability, design and specifications are subject to change without notice. All rights reserved.

All leaflets are available on: www.asco.com

DIMENSIONS (mm), WEIGHT (kg) 

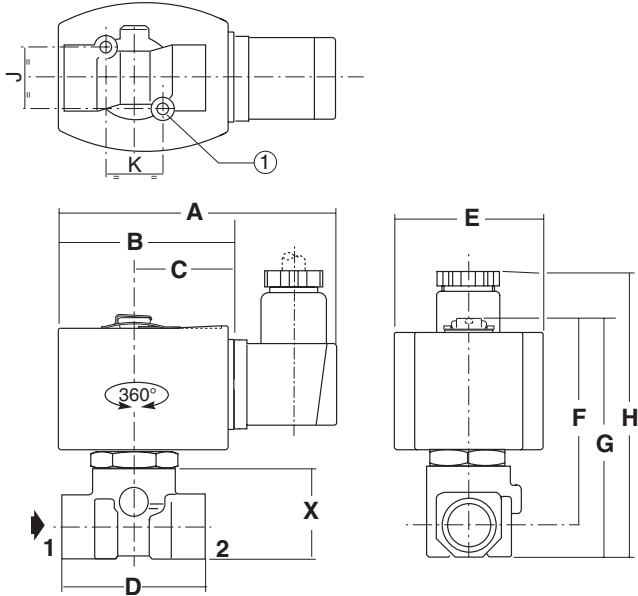
[Configurator - CAD Files](#)



TYPE 01

Electrical interface "S1"
Epoxy moulded
IEC 335 / ISO 4400
IP65

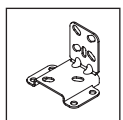
1/4, power coil 8,1 W / 10,6 W



type	pipe size	A	B	C	D	E	F	G	H	X	weight ⁽¹⁾
01	1/4	88	51	30	40	43	65	75	92	30	0,42

① 2 mounting holes:
M5 dia., depth 7,5 mm (1/4)

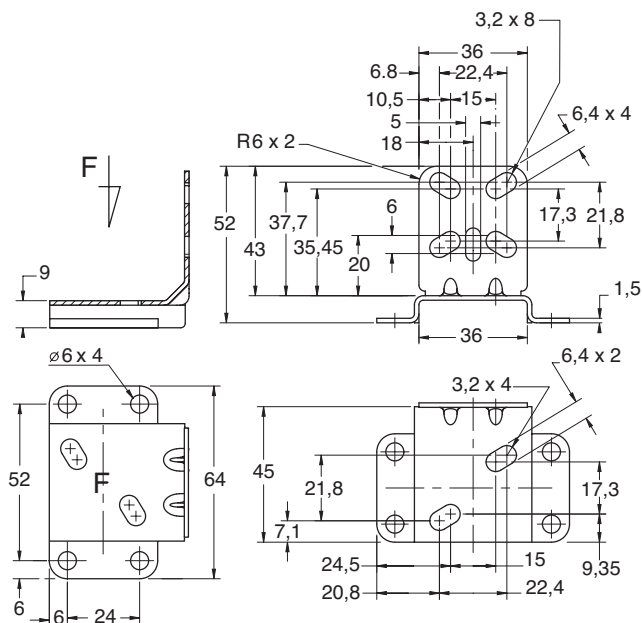
⁽¹⁾ Incl. coil(s) and connector(s).



Mounting bracket

Steel or stainless steel

M200094A00 / M200095A00



All leaflets are available on: www.asco.com