

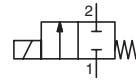
# ASCO™ SOLENOID VALVES

FOR HOT WATER/STEAM APPLICATIONS

DIRECT OPERATED, 1/4 - 3/8 TAPPED

2/2 NC  
SERIES  
**263**

- Direct acting valves with stainless steel seat ensure a long continuous cycling life in severe steam applications
- The solenoid valves have forged brass bodies, compact design, to minimize heat radiation parts
- Valves do not require a minimum operating pressure
- RoHS compliance
- Compliance with UL and CSA standards
- The solenoid valves satisfy all relevant EU Directives



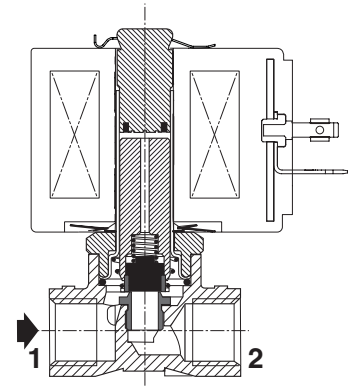
General		
Differential pressure	See «SPECIFICATIONS» [1 bar = 100 kPa]	
Response time	5 - 25 ms	
fluids (*)	temperature range (TS)	seal materials (*)
hot water, steam	-20°C to +160/165°C	PTFE

Materials in contact with fluid	
(*) Ensure that the compatibility of the fluids in contact with the materials is verified	
Body	Brass
Shading coil	Copper
Core tube	Stainless steel, AISI 305
Core and plugnut	Stainless steel, AISI 430F
Springs	Stainless steel, AISI 302
Seal	PTFE
Disc	PTFE

Electrical characteristics	
Coil insulation class	H (AC)
Connector	Spade plug (cable Ø 6-10 mm)
Connector specification	ISO 4400 / EN 175301-803, form A
Electrical safety	IEC 335
Electrical enclosure protection	Moulded IP65 (EN 60529)
Standard voltages	AC (~) : 24V - 48V - 115V - 230V/50 Hz
(Other voltages and 60 Hz on request)	

operator ambient temperature range (TS) (°C)	power ratings			replacement coil <sup>(1)</sup>	
	inrush ~ (VA)	holding ~ (W)	hot/cold = (W)	~ 230 V/50 Hz	= 24 V DC
0 to +55	50	25	10,1	238813-059	-

<sup>(1)</sup> All 238 basic numbers are UL & CSA approved and marked with the UR (recognised component) & CSA logos.



## Options

Connector with visual indication and peak voltage suppression or with cable length of 2 m ([www.asco.com](http://www.asco.com))

01469GB-2019/R01 Availability, design and specifications are subject to change without notice. All rights reserved.

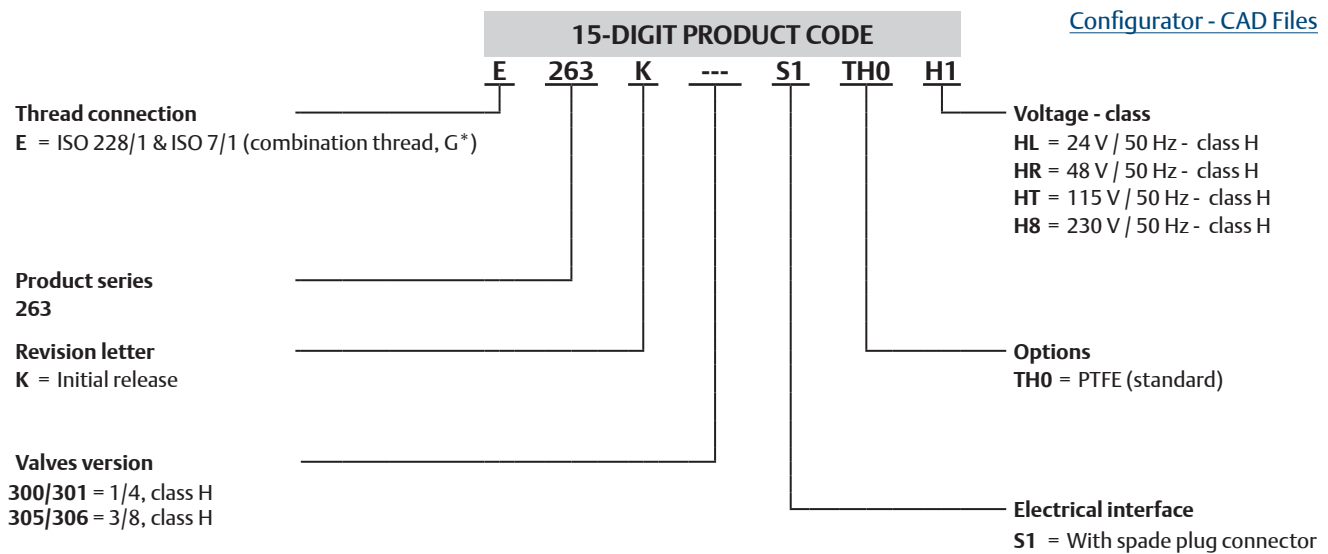
**Specifications**

pipe size	orifice size (mm)	flow coefficient Kv (m <sup>3</sup> /h) (l/min)		operating pressure differential (bar)				max. fluid temp. (°C)	class	power coil (W)	thread type	dimensions / type (V)	15-DIGIT PRODUCT CODE					
				min.	max. (PS)		brass						voltage code					
					steam (*)	water (*) <sup>(2)</sup>							24 V/50 Hz	48 V/50 Hz	115 V/50 Hz	230 V/50 Hz	.	.
				~	~	~	~						~	~	~	~		
<b>Without manual operator</b>																		
<b>NC - Normally closed</b>																		
1/4	4	0,45	7,5	0	7,6	14,5	165	H	10,1	G*	01	E263K300S1TH0	HL	HR	HT	H8	-	-
	5,6	0,63	10,5	0	4,8	6,6	160	H	10,1	G*	01	E263K301S1TH0	HL	HR	HT	H8	-	-
3/8	4	0,45	7,5	0	7,6	13,8	165	H	10,1	G*	01	E263K305S1TH0	HL	HR	HT	H8	-	-
	5,6	0,63	10,5	0	4,8	6,6	160	H	10,1	G*	01	E263K306S1TH0	HL	HR	HT	H8	-	-

<sup>(1)</sup> For dimensions, see drawing(s) for each construction type on the following page(s).

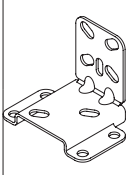
<sup>(2)</sup> Water temperature should not exceed 100°C.

(\*) Ensure that the compatibility of the fluids in contact with the materials is verified.



Spare parts kits no. (*)			
AC (~)			
			PTFE
	E263K300	M200045	TH0
	E263K301	M200050	TH0
	E263K305	M200045	TH0
	E263K306	M200050	TH0

(\*) Ensure that the compatibility of the fluids in contact with the materials is verified.

		Accessories code
	Mounting bracket Steel version (AISI 1010 / 1.1121)	M200094A00
	Mounting bracket Stainless steel version (AISI 304 / 1.4301)	M200095A00

## Installation

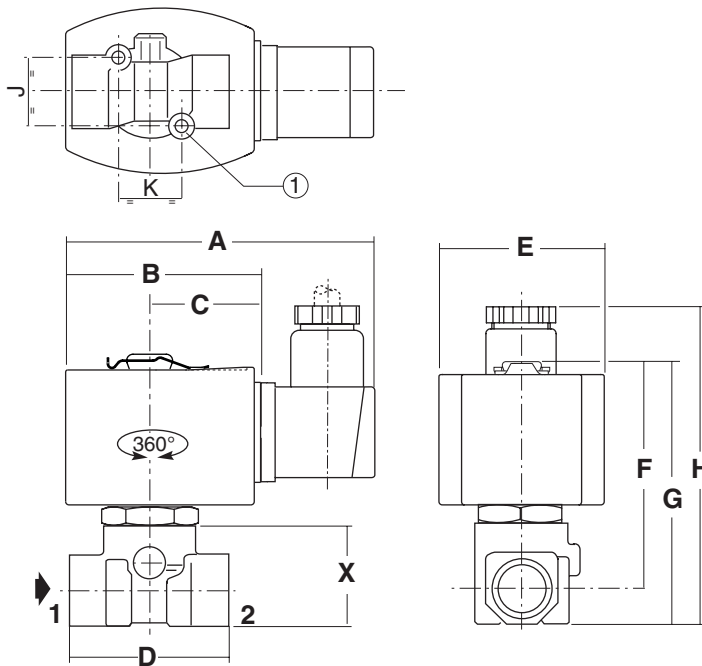
- The solenoid valves can be mounted in any position without affecting operation
- Solenoid valves have 2 mounting holes in body
- Thread connection “E” have standard thread according to ISO 228/1 and ISO 7/1
- Installation/maintenance instructions are included with each valve

## Dimensions (mm), Weight (kg)

[Configurator - CAD Files](#)



**TYPE 01**  
Electrical interface “S1”  
Epoxy moulded  
IEC 335 / ISO 4400  
IP65

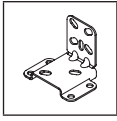


type	pipe size	A	B	C	D	E	F	G	H	X	weight <sup>(1)</sup>
01	1/4	95	57	33	40	50	65	75	92	30	0,61
	3/8	95	57	33	48	50	64	76	93	32	0,63

① 2 mounting holes M5 dia., depth 6 mm.

<sup>(1)</sup> Incl. coil(s) and connector(s).

01469GB-2019/R01  
Availability, design and specifications are subject to change without notice. All rights reserved.



**Mounting bracket**  
Steel or stainless steel

M200094A00 / M200095A00

