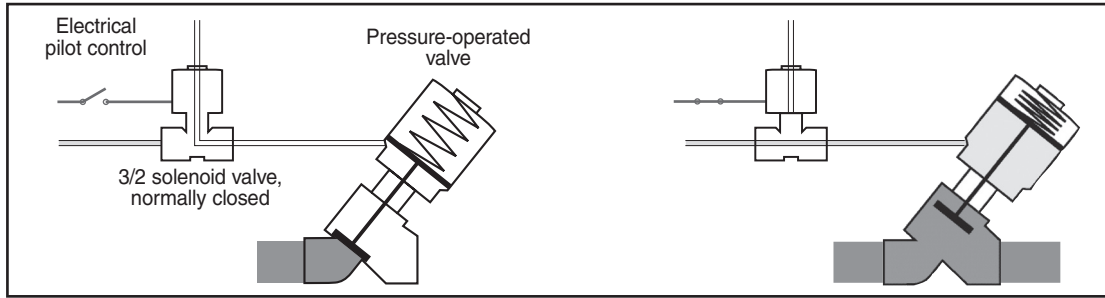
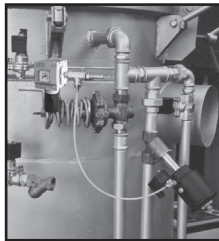



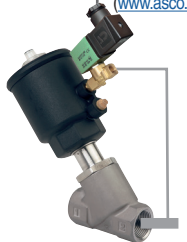

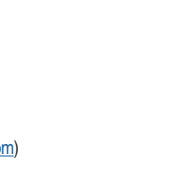
Pressure operated valves are piloted by a 3/2 solenoid valve either directly mounted on the valve or remotely connected.



### DIRECT OPERATED

- Short response times
- Easy on-site testing with the solenoid valve's manual override.
- Possibility to use the fluid (air, water) of the supply line as pilot fluid.



Electrical pilot control	3 to 11 W per valve	 <p>page 49 <a href="http://www.asco.com">www.asco.com</a></p>	 <p>page 51 <a href="http://www.asco.com">www.asco.com</a></p>
Compressed air		 <p><a href="http://www.asco.com">www.asco.com</a></p>	 <p>page 37 <a href="http://www.asco.com">www.asco.com</a></p>

Namur interface

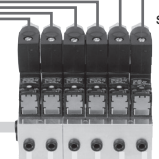






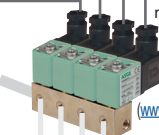


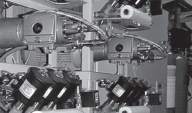
### REMOTE OPERATED

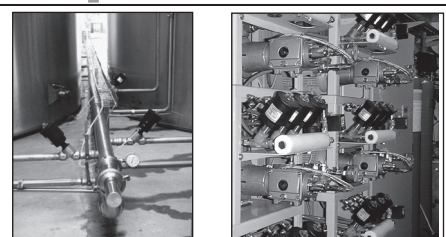
**Solution 1:** Solenoid pilot valves mounted on joinable subbases according to CNOMO standard with integrated instant fitting pneumatic connections or on manifolds.

**Solution 2:** Distribution islands with two 3/2 solenoid valves per module, up to 32 valves can be piloted with a series 501 island.

- Centralised electrical connection
- Integrated plug-in type valve power connection
- Modifiable connections thanks to cartridge-type instant fittings
- Compatible with the following fieldbuses:



Electrical pilot control	<p><b>Solution 1</b> 1 W per valve</p>  <p>subbases CNOMO page 21 (1)</p>	     
or fieldbus control	<p>4 W per valve</p>  <p>manifolds page 31 (1) <a href="http://www.asco.com">www.asco.com</a></p>	
Compressed air	<p><b>Solution 2</b> 0,75 W per valve</p>  <p>page 1 (2) <a href="http://www.asco.com">www.asco.com</a></p>	 



See sections: (1) Solenoid Valves (3/2)  
(2) Fieldbus Electronics

The valve islands and/or solenoid pilot valves can be grouped together in one place.  
Cabinet installation for use in "aggressive" environments.  
Reduced electrical wiring. Low power consumption.

All leaflets are available on: [www.asco.com](http://www.asco.com)

00171GB-2017/R01  
Availability, design and specifications are subject to change without notice. All rights reserved.

