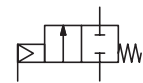




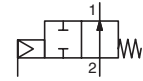
MINI-VALVES

pressure operated
stainless steel body
threaded ports, G 1/2 to 1

NC



NO



2/2
Series
U290

FEATURES

- High flow due to angled seat design
- Anti-waterhammer design (fluid entry under the disc)
- External threads to ISO 228/1 for industrial applications
- Vacuum operation up to 10^{-2} mbar
- Piston-type operators 32 mm dia. rotatable through 360°
- High performance, maintenance-free stuffing box
- The valves satisfy Pressure Equipment Directive 2014/68/EU, article 4.3
- The valves in conformity with IEC 61508 Standard (2010 route 2_H version) certified with integrity levels: SIL 2 for HFT = 0

GENERAL

Differential pressure	See «SPECIFICATIONS» [1 bar = 100 kPa]
Maximum allowable pressure	16 bar
Ambient temperature range	-10°C to +60°C
Maximum viscosity	600 cSt (mm ² /s)
Pilot fluid	Filtered air or water ⁽¹⁾
Max. pilot pressure	10 bar
Min. pilot pressure	See below
Pilot fluid temperature	-10°C to +60°C
Response time	See page 7 (www.asco.com)

fluids (*)	temperature range	disc seal (*)
air and gas groups 1 & 2 water, oil, liquids groups 1 & 2 and steam	- 10°C to + 184°C	PTFE

MATERIALS IN CONTACT WITH FLUID

(*) Ensure that the compatibility of the fluids in contact with the materials is verified

Valve body	AISI 316L
Stuffing box housing	AISI 316L
Stem	Stainless steel
Disc	Stainless steel
Stuffing box packing	PTFE chevrons
Wiper seal	FPM
Disc seal	PTFE
Valve body seal	PTFE

OTHER MATERIALS

Operator	Glass fibre filled PA
Optical position indicator	Optional on NC valves

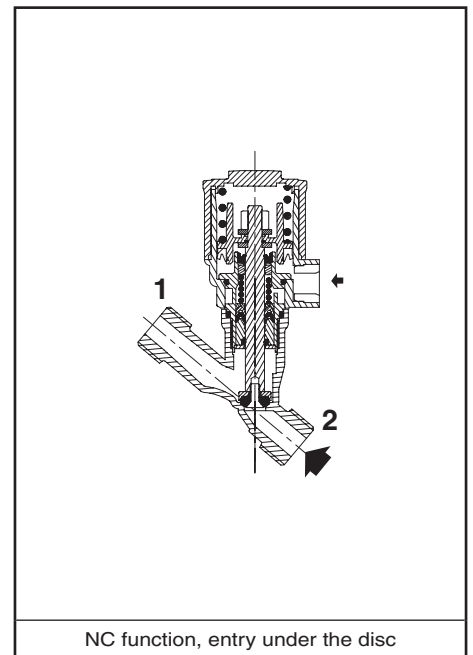
⁽¹⁾ For dia. 32 operators: At service fluid temperatures inside the valve body above 100°C, it is prohibited to pilot the valve with water.

SPECIFICATIONS

piping (ISO 6708)		flow coefficient Kv		pilot pressure (bar)		operating pressure differential (bar)				operator diameter (mm)	catalogue number	
pipe size (G)	DN	(m ³ /h)	(l/min)	min.	max.	min..	max.					
								air, inert gas, aggressive fluids (*)	water, oil, liquids, aggressive liquids (*)	steam (*) (≤184°C)		
NC - Normally closed, entry under the disc ⁽³⁾												
1/2	10	2,8	47	4	10	0	16	16	10	32	U290A791	
3/4	15	4,1	68	4	10	0	12	12	10	32	U290A792	
1	20	6,5	108	4	10	0	6	6	6	32	U290A793	
NO - Normally open, entry under the disc												
1/2	10	2,8	47	IX (*)	10	0	16	16	10	32	U290A794	
3/4	15	4,1	68	IX (*)	10	0	16	16	10	32	U290A795	
1	20	6,5	108	IX (*)	10	0	16	16	10	32	U290A796	
NC - Normally closed, entry above the disc (version recommended for rapid-cycling steam applications)												
1/2	10	2,8	47	X (*)	10	0	10	-	10	32	U290A797	
3/4	15	4,1	68	X (*)	10	0	10	-	10	32	U290A798	
1	20	6,5	108	X (*)	10	0	10	-	10	32	U290A799	

(*) Minimum pilot pressure varies with differential pressure, see page: 7 (www.asco.com)

⁽³⁾ Calculation of the minimum pilot pressure at max. ΔP with allowable backpressure, contact us (backpressure not recommended with liquids as waterhammer may occur).



00050GB-2017/R01
Availability, design and specifications are subject to change without notice. All rights reserved.

All leaflets are available on: www.asco.com



青岛秉诚自动化设备有限公司
地址：中国·青岛市重庆南路99号海尔云街甲3号楼7F

服务热线：4006-918-365
网址：<http://www.ivalve.com>

Pressure Operated Valves (2/2) - 23
传真：(86-532)585-10-365
Email：sales@bechinas.com

OPTIONS AND ACCESSORIES [see pages: 37 (www.asco.com) / 43 (www.asco.com)]

- Optical position indicator, NC function
- Oxygen service, pressure limited to 15 bar, temperature limited to + 60°C
- Vacuum applications up to 1,33 10⁻³ mbar
- NET-INOX passivation treatment
- ATEX 2014/34/EU versions for potentially explosive atmospheres (www.asco.com)
- Other pipe connections are available on request

INSTALLATION

- The valves can be mounted in any position without affecting operation
- Compatible with ASTM 1, 2 and 3 oils
- Check temperature range of valve body and solenoid pilot valves for suitability. For probability of failure, contact us
- Pipe connection identifier is G = G (ISO 228/1)
- Installation/maintenance instructions are included with each valve

SPARE PARTS KITS

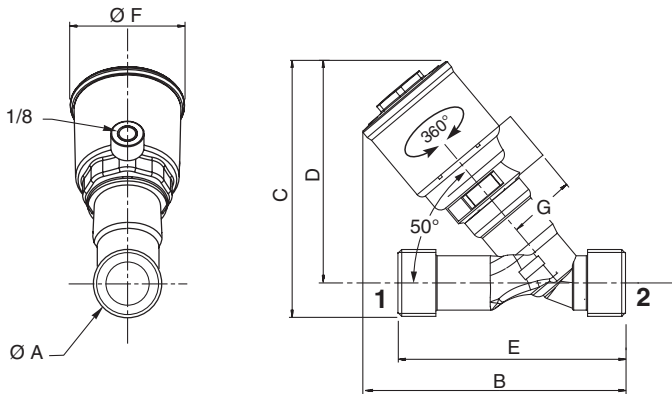
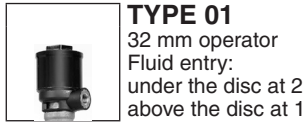
DN	spare parts kit no.	
		Ø 32 mm
10	C140100	
15	C140101	
20	C140102	

ORDERING EXAMPLES:

U	290	A	791	
U	290	A	792	VI
U	290	A	792	NI
U	290	A	797	

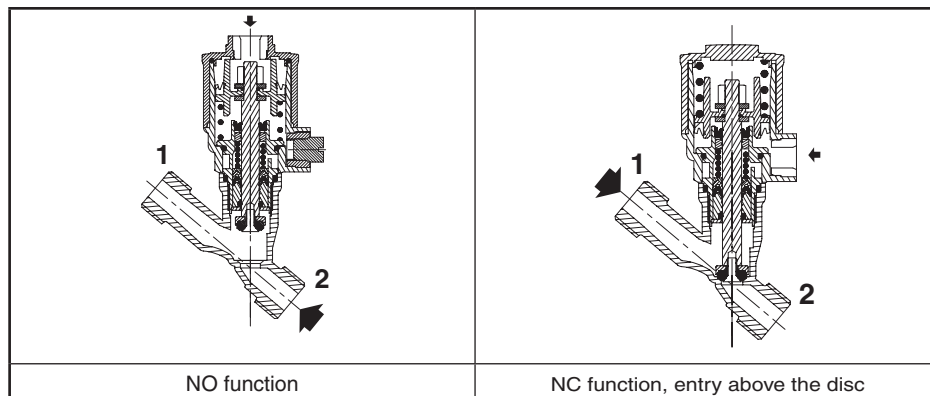
pipe thread ———
 basic number ———
 suffix ———

DIMENSIONS (mm), WEIGHT (kg)



type	operator diameter	ØA	B	C	D	E	ØF	G	weight ⁽¹⁾
01	32 mm	1/2	102,5	98,2	87,7	80	43,5	27	0,36
		3/4	104,9	102	88,8	90	43,5	27	0,43
		1	109,5	104,9	88,4	110	43,5	27	0,54

⁽¹⁾ Weight of valve without pilot.
Solenoid pilot valves, see page: 49 (www.asco.com) [32 mm operator]



All leaflets are available on: www.asco.com