

## FEATURES

- The diaphragm pulse valves are especially designed for dust collector service applications, combining high flow, long life and extremely fast opening and closing to produce reliable and economical operation
- The high flow, angle type bodies, springless construction, in combination with the special diaphragm assemblies give the unique operating features required for dust collector service applications
- Integral compression fittings for fast, easy, secure installation
- Built-in silencers guarantee noise free operation and avoid foreign particles entering the valve
- The integral operators are provided with epoxy moulded F-class coils. Various optional waterproof and explosionproof solenoids for use in potentially explosive atmospheres (gas & dust) according to Directive ATEX 2014/34/EU can be mounted on the same basic valve
- The components satisfy all relevant EC directives

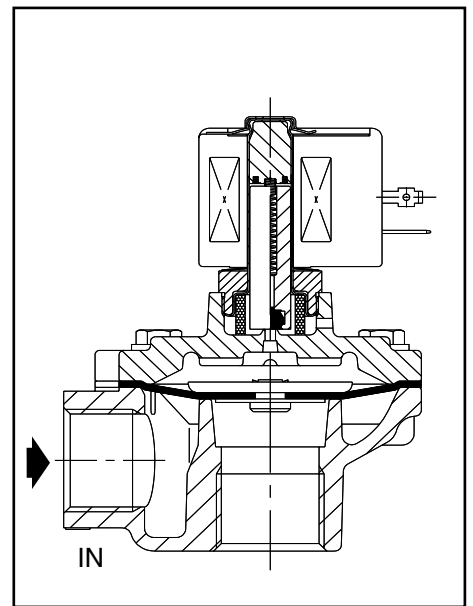


Figure shows catalogue number G353A043

## GENERAL

**Differential pressure (PS)** 0,35 - 8,5 bar [1 bar = 100kPa]  
**Ambient temperature range** -20 to +85°C

fluid (*)	temperature range (TS)	piston/diaphragm
air	-20 to +85 °C	TPE (thermoplastic polyester elastomer)
	-20 to +120 °C	FPM (fluoroelastomer)

## CONSTRUCTION

(\*) Ensure that the compatibility of the fluids in contact with the materials is verified

<b>Body</b>	Aluminium
<b>Core tube</b>	Stainless steel
<b>Core and plugnut</b>	Stainless steel
<b>Core spring</b>	Stainless steel
<b>Sealings &amp; disc</b>	NBR (nitrile)
<b>Diaphragm</b>	TPE or FPM
<b>Shading coil</b>	Copper
<b>Coil insulation class</b>	F
<b>Connector</b>	Spade plug (cable Ø 6 - 10 mm), ISO 4400
<b>Electrical safety</b>	IEC 335

## ELECTRICAL CHARACTERISTICS

**Standard voltages** DC (=) : 24V  
 (Other voltages and 60 Hz on request) AC (~) : 24V - 115V - 230V / 50 Hz

coil type	Leistung				ambient temperature range (°C)	protection	replacement coil	
	inrush ~	holding ~		hot/cold =			~	=
		(VA)	(VA)					
CM6-FT	34	15,6	6	-	-20 to +85	IP65/IP67	400325-117	-
CM6-FT (1)	-	-	-	14 / 20,8			-	400325-642

(1) Intermittent duty, Relative Duty Time is 10%. Max. on time is 1 min.

## SPECIFICATIONS

pipe size	orifice size	flow coefficient Kv		operating pressure differential (bar)		prefix optional solenoids					catalogue number	FPM
				min.	max. (PS)	ATEX						
G	(mm)	(m³/h)	(l/min)		air (*)	SC	WP	SG	EM (T)	NF	Aluminium	
<b>(G) - Threaded pipe connection</b>												
3/4	25	14	233	0,35	8,5	●	●	●	●	●	G353A043	V
1	25	17	283			●	●	●	●	●		G353A044
<b>Ø - Compression fitting pipe connection</b>												
3/4	25	14	233	0,35	8,5	●	●	●	●	●	G353-052	V
1	25	17	283			●	●	●	●	●		G353-053

● : available feature

All leaflets are available on: [www.asco.com](http://www.asco.com)

60056GB-2018/R01 Availability, design and specifications are subject to change without notice. All rights reserved.

### OPTIONS

- Waterproof enclosure with embedded screw terminal coil according to protection class IP67, CEE 10
- Explosionproof solenoids for hazardous locations according to "ATEX" and national standards
- IECEx certification
- Plug with visual indication and/or peak voltage suppression
- Electronic timer
- Valves can also be supplied with FPM (fluorelastomer) diaphragm and seal materials. Use the appropriate optional suffix letter for identification

### INSTALLATION

- The valves can be mounted in any position without affecting operation
- Pipe connection identifier is: G = G (ISO 228/1) or compression fitting
- For compression fitting types tightness is achieved by the compressed gasket on the blow tube
- The use of the rubber gaskets as sealing members will allow a slight misalignment in piping when using compression fittings
- Other pipe threads are available on request
- Installation/maintenance instructions are included with each valve
- Spare parts kit and replacement coils on request

### DIMENSIONS (mm), WEIGHT (kg)

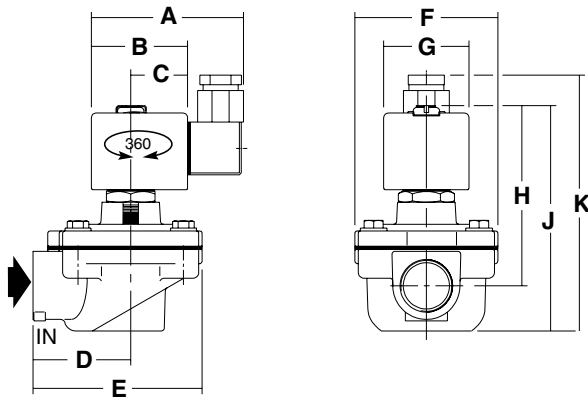


Fig. 1 threaded type

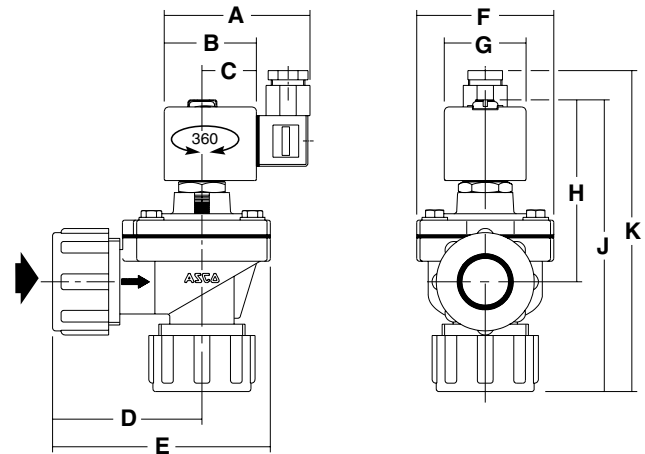


Fig. 2 compression fitting type

catalogue number	A	B	C	D	E	F	G	H	J	K	weight (1)	(C)
SC G353A043	75	45	27	51	89	75	39	92	113	130	0,70	Fig. 1
SC G353A044	75	45	27	51	89	75	39	92	113	130	0,65	Fig. 1
SC G353-052	75	45	27	81	125	75	39	92	175	195	0,85	Fig. 2
SC G353-053	75	45	27	81	125	75	39	92	175	195	0,90	Fig. 2
<b>Atex II3D</b>												
SG G353A043	89	57	31	51	89	75	50	92	113	130	0,70	Fig. 1
SG G353A044	89	57	31	51	89	75	50	92	113	130	0,65	Fig. 1
SG G353-052	89	57	31	81	125	75	50	92	175	195	0,85	Fig. 2
SG G353-053	89	57	31	81	125	75	50	92	175	195	0,90	Fig. 2

(1) including coil and connector (prefix SC or SG)

(C) construction type

### SPARE PARTS KITS

catalogue number	spare parts kit no. ~/=
SC G353A043	C113444
SC G353A044	
SC G353-052	
SC G353-053	
SG G353A043	
SG G353A044	
SG G353-052	
SG G353-053	

All leaflets are available on: [www.asco.com](http://www.asco.com)