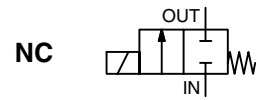




# SOLENOID VALVES

direct operated  
3/8



2/2  
Series  
263

## FEATURES

- Valves do not require a minimum operating pressure and have a high operating pressure as indicated
- Valve operation is not affected by mounting position
- For use with fluids other than those specified below, use other seat materials (St. steel/Bronze)
- The solenoid valves satisfy all relevant EC directives

## GENERAL

**Differential pressure** See «SPECIFICATIONS» [1 bar =100 kPa]  
**Maximum viscosity** 65 cSt (mm<sup>2</sup>/s)  
**Response time** 5 - 25 ms

fluids (*)	temperature range (TS)	seal materials (*)
air, inert gas, water, oil	-20°C to +90°C	NBR (nitrile)



C

## MATERIALS IN CONTACT WITH FLUID

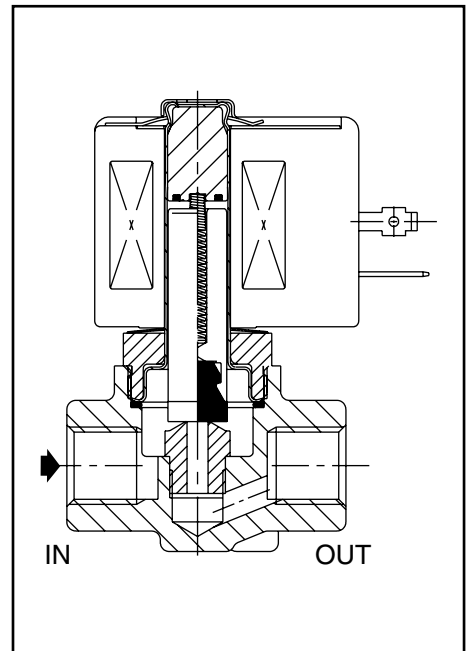
	Brass body	Stainless steel body
<b>Body</b>	Brass	AISI 303 SS
<b>Core tube</b>	Stainless steel	Stainless steel
<b>Core and plugnut</b>	Stainless steel	Stainless steel
<b>Springs</b>	Stainless steel	Stainless steel
<b>Seat</b>	Brass	Stainless steel
<b>Seals</b>	NBR	NBR
<b>Disc</b>	NBR	NBR
<b>Shading coil</b>	Copper	Copper

## ELECTRICAL CHARACTERISTICS

**Coil insulation class** F  
**Connector** Spade plug (cable Ø 6-10 mm)  
**Connector specification** ISO 4400 / EN 175301-803, form A  
**Electrical safety** IEC 335  
**Electrical enclosure protection** Moulded IP65 (EN 60529)  
**Standard voltages** DC (=) : 24V - 48V  
 (Other voltages and 60 Hz on request) AC (~) : 24V - 48V - 115V - 230V / 50 Hz

prefix option	power ratings				operator ambient temperature range (TS) (C°)	replacement coil		type <sup>(1)</sup>
	inrush ~	holding ~	hot/cold =			~	=	
	(VA)	(VA)	(W)	(W)		230 V/50 Hz	24 V DC	
SC	34	15,6	6	7 / 9,7	-20 to +75	400325-117	400325-142	01
	30	22,5	9	9,5/15,3	-20 to +50	400325-217	400325-242	01
	55	23	10,5	9/11,2	-20 to +75	400425-117	400425-142	02
	78	35	16,7	-	-20 to +50	400425-217	-	02

<sup>(1)</sup> Refer to the dimensional drawings on the following page.



## SPECIFICATIONS

pipe size	orifice size (mm)	flow coefficient Kv (m <sup>3</sup> /h) (l/min)		operating pressure differential (bar)						power coil (W)		catalogue number		options									
				max. (PS)								brass	stainless steel	maintained man. operator	FPM	EPDM	CR	PTFE					
				min.		air (*)		water (*)											oil (*)		~	=	~
<b>NC - Normally closed</b>																							
Rp 3/8	3,2	0,3	5	0	14	7	14	6	10	6	9	15,3	SCE263C003	-	MO	V	E	J	T				
	3,2	0,3	5	0	20	5	20	5	18	4	16,7	11,2	SCE263B232	-	MO	V	E	J	T				
	4	0,43	7,2	0	6,5	2,5	6,5	2,5	6,5	2,5	10,5	11,2	SCE263B200	-	MO	V	E	J	T				
	5,6	0,62	10,3	0	6,5	1,7	6,5	1,7	6,5	1,7	16,7	11,2	SCE263B206	-	MO	V	E	J	T				
NPT 3/8	7,1	0,82	13,7	0	1,8	1	2,5	1	1,3	1	6	9,7	SCE263C054	-	MO	V	E	J	T				
	5,6	0,62	10,3	0	6,5	1,7	6,5	1,7	6,5	1,7	16,7	11,2	-	SCB263B332	MO	V	E	J	T				

00034GB-2011/R01 Availability, design and specifications are subject to change without notice. All rights reserved.

All leaflets are available on: [www.asconumatics.eu](http://www.asconumatics.eu)



青岛秉诚自动化设备有限公司  
地址：中国·青岛市重庆南路99号海尔云街甲3号楼7F

服务热线：4006-918-365  
网址：<http://www.ivalve.com>

传真：(86-532)585-10-365  
Email：[sales@bechinas.com](mailto:sales@bechinas.com)

V255-1

## OPTIONS

- Valves can also be supplied with FPM (fluoroelastomer), EPDM (ethylene-propylene), CR (chloroprene) and PTFE seals and discs. Use the appropriate optional suffix letter for identification
- Waterproof enclosure with embedded screw terminal coil according to protection class IP67, CEE-10
- Explosionproof enclosures for use in zones 1/21-2/22, categories 2-3 to ATEX Directive 94/9/EC (see "Explosionproof solenoids" section)
- Electrical enclosures according to "NEMA" standards are available
- Compliance with "UL", "CSA" and other local approvals available on request
- Other pipe connections are available on request
- Plug with visual indication and peak voltage suppression or with cable length of 2 m (see Solenoids, Coils & Accessories section)

## INSTALLATION

- The solenoid valves can be mounted in any position without affecting operation
- Solenoid valves have 2 mounting holes in body
- Pipe connection identifier is E = Rp (ISO 7/1) or B = NPT (ANSI 1.20.3)
- Installation/maintenance instructions are included with each valve

## SPARE PARTS KIT

catalogue number	spare parts kit no.	
	~	=
SCE263C003	<b>C302018</b>	<b>C302068</b>
SCE263C054	<b>C302022</b>	<b>C302068</b>
SCE263B200/206/232	<b>C302001</b>	<b>C302062</b>
SCB263B332	<b>C302001</b>	<b>C302062</b>

<sup>(1)</sup> Standard prefixes/suffixes are also applicable to kits.

## ORDERING EXAMPLES:

SC	E	263	C	003	230V / 50 Hz
SC	E	263	C	054	MO 115V / 50 Hz
SC	E	263	B	200	V 24V / DC
SC	E	263	B	206	E 230V / 50 Hz

prefix: SC, pipe thread: E, basic number: 263, suffix: C003, MO, V, E  
 voltage: 230V / 50 Hz, 115V / 50 Hz, 24V / DC

## ORDERING EXAMPLES KITS:

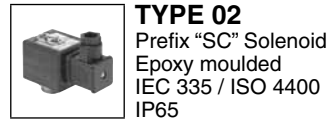
C302018 <sup>(1)</sup>	
C302068	V
C302001	E

basic number: C302018, C302068, C302001; suffix: V, E

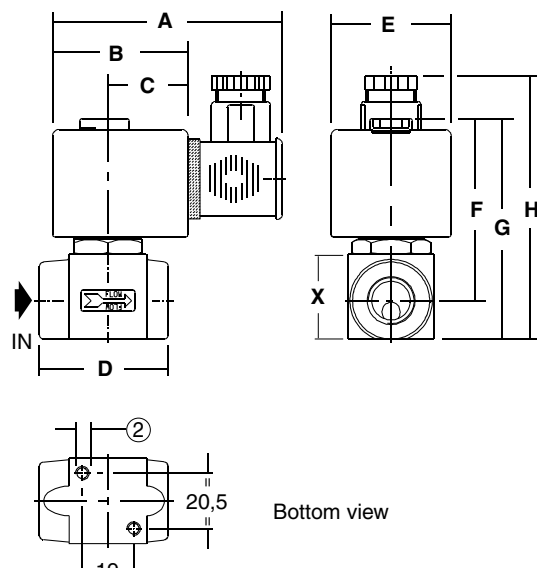
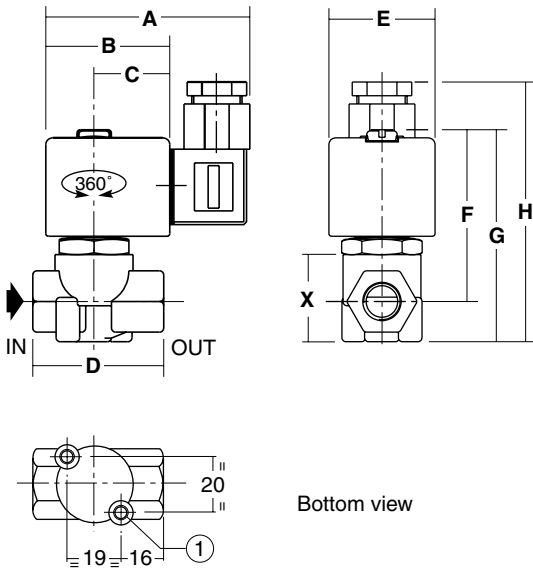
## DIMENSIONS (mm), WEIGHT (kg)



Type 01: SCE263C003/C054  
Type 02: SCE263B232/B200/B206



SCB262B332



type	prefix option	catalogue number	A	B	C	D	E	F	G	H	X	weight <sup>(2)</sup>
01	SC	SCE263C003/C054	75	45	27	48	39	65	74	96	32	0,4
02	SC	SCE263B232/B200/B206	80	50	30	48	45	68	83	100	34	0,5
		SCB263B332	80	50	30	50	45	68	83	100	34	0,5

2 mounting holes:

- ① Ø M4, depth 6 mm
- ② 190-24 UNC-2B, depth 6 mm

<sup>(2)</sup> including coil and connector.

All leaflets are available on: [www.asconumatics.eu](http://www.asconumatics.eu)