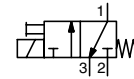




SOLENOID PILOT VALVES

with 290/390 valves, with 90 & 125 mm operators
direct operated
1/4

NC



3/2
Series
314
356

FEATURES

- Compact design and low weight enabling easy installation on all series 290 & 390 valves with 90 & 125 mm operators
- Manual operator allows an easy installation
- Pilot 356: AC/DC interchangeability of the solenoid without disassembly of the valve
- The solenoid valves satisfy all relevant EU Directives

GENERAL

Max. pilot pressure 0 to 10 bar [1 bar = 100 kPa]
Maximum viscosity Pilot 314: 65 cSt (mm²/s) / Pilot 356: 40 cSt
Response time See page 7 (www.asco.com)

pilot (series)	fluids (*)	temperature range (TS)	seal materials (*)
314	filtered air and water	-10°C to +60°C	314/356 pilots: NBR (nitrile)
356			314 pilot: FPM (fluoroelastomer)

MATERIALS IN CONTACT WITH FLUID

(*) Ensure that the compatibility of the fluids in contact with the materials is verified

	Pilot 314	Pilot 356
Body	Brass or st. steel AISI 304	Brass or st. steel AISI 316
Core tube	Stainless steel	Stainless steel
Core and plugnut	Stainless steel	Stainless steel
Springs	Stainless steel	Stainless steel
Seats	Brass	Brass
Seals / Disc	NBR	FPM
Upper disc	FPM	-
Shading coil	Copper or silver	Copper

ELECTRICAL CHARACTERISTICS

Coil insulation class F
Connector Spade plug (cable Ø 6-10 mm)
Connector specification ISO 4400 / EN 175301-803, form A
Electrical safety IEC 335
Electrical enclosure protection Moulded IP65 (EN 60529)
Standard voltages DC (=) : 24V - 48V
 (Other voltages and 60 Hz on request) AC (-) : 24V - 48V - 115V - 230V / 50 Hz

prefix option	power ratings			operator ambient temperature range (TS) (C°)	replacement coil		type ⁽¹⁾
	inrush	holding	hot/cold		~	=	
	(VA)	(VA) (W)	(W)		230 V/50 Hz	24 V DC	
-	50	25 10,1	8,5 / 11,6	-10 to +60	238613-059	238713-006	01
SC	15	7 5	5 / 6,9	-10 to +60	400727-117	400727-185	02

⁽¹⁾ Refer to the dimensional drawings on the following page.

SPECIFICATIONS (314 Series)

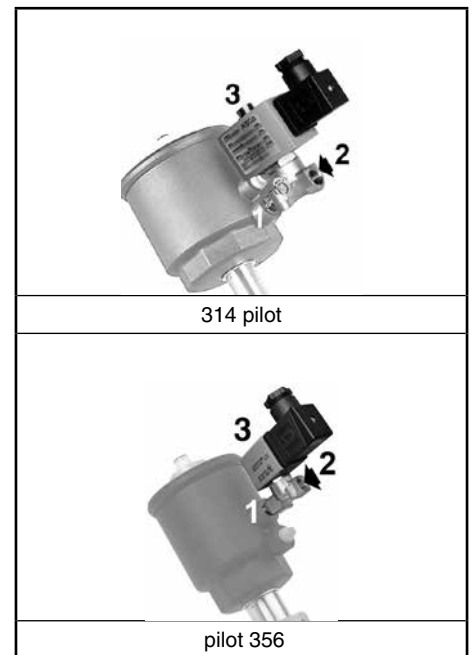
pipe size	orifice size	flow coefficient Kv		operating pressure differential (bar) max. (PS)						power coil (W)	thread type	dimensions / type ⁽¹⁾	15-DIGIT PRODUCT CODE											
		2→1	1→3	min. ⁽³⁾									brass ⁽²⁾	stainless steel ⁽²⁾	voltage code									
		(mm)	(m ³ /h)(l/min)	(m ³ /h)(l/min)	air (*)	water (*)	oil	~	=						~	=	24 V/50 Hz	48 V/50 Hz	115 V/50 Hz	230 V/50 Hz	24 V/DC	48 V/DC		
		~	=	~	=	-	-	~	=				~	=	FL	FR	FT	F8	F1	F9				
1/4	3,2	0,22	3,7	0,17	2,8	0	10	6	10	6	-	-	10,1	11,6	G*	01	E314K141S1N01	E314K140S1N01	FL	FR	FT	F8	F1	F9

SPECIFICATIONS (356 Series)

pipe size	orifice size	flow coefficient Kv		operating pressure differential (bar) max. (PS)						power coil (W)	catalogue number ⁽²⁾				
		2→1	1→3	min. ⁽³⁾							brass body	stainless steel body			
		(mm)	(mm)	(m ³ /h)(l/min)	(m ³ /h)(l/min)	~	=	~	=				~	=	
		~	=	~	=	-	-	~	=		~	=	~	=	
G	1,6	1,2	0,08	1,33	0,05	0,8	0	10	10	10	10	5	6,9	SCG356B467VMS	SCG356B473VMS

⁽²⁾ Solenoid valve with 1/4 adapter.

⁽³⁾ Refer to leaflets on series 290/390 valves which show the minimum pilot pressure for each version of the product.



00198GB-2017/R01 Availability, design and specifications are subject to change without notice. All rights reserved.

All leaflets are available on: www.asco.com



青岛秉诚自动化设备有限公司
地址：中国·青岛市重庆南路99号海尔云街甲3号楼7F

服务热线：4006-918-365
网址：<http://www.ivalve.com>

Pressure Operated Valves (2/2) - 51
传真：(86-532)585-10-365
Email：sales@bechinas.com

OPTIONS

- Explosionproof enclosures for use in zones 1/21-2/22, categories 2-3 to ATEX Directive 2014/34/EU (www.asco.com)
- flow control device to fit port 3 (to increase air-operated pilot depressurization time):
M5, catalogue number: **34600380** / 1/8, catalogue number: **34600107**
- Connector with visual indication and peak voltage suppression or with cable length of 2 m (www.asco.com)

INSTALLATION

- The solenoid valves can be mounted in any position without affecting operation
- Pipe connection 1/4 (G*) has standard combination thread according to ISO 228/1 and ISO 7/1. Pipe connection G 1/8 or G 1/4 has standard thread according to ISO 228/1
- Installation/maintenance instructions are included with each valve

SPARE PARTS KIT

catalogue number	spare parts kit no.	
	~	=
E314K141S1N01	M200071N00	M200067N00
E314K140S1N01	M200073N00	M200069N00

ORDERING EXAMPLES:

E314K141S1N01 F8	
SC G 356 B 467 VMS	24V / DC voltage
catalogue number	

ORDERING EXAMPLES KITS:

M200071N00
basic number

DIMENSIONS (mm), WEIGHT



TYPE 01

Electrical interface "S1" (314 pilot)
Epoxy moulded
IEC 335 / ISO 4400
IP65

E314K140S1N01/141S1N01

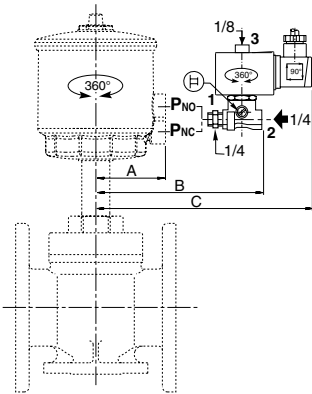
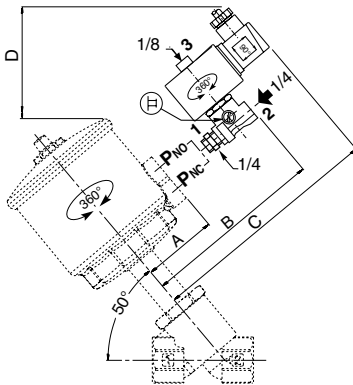


TYPE 02

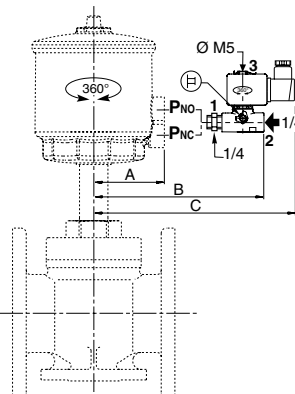
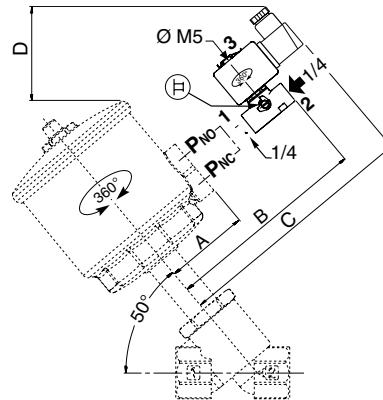
Prefix "SC" Solenoid (pilot 356)
Epoxy moulded
IEC 335 / ISO 4400
IP65

SCG356B467VMS/473VMS

90 and 125 mm operators



90 and 125 mm operators



type	prefix option	pilot	operator diameter	A	B	C	D		pilot inlet		weight ⁽¹⁾
							NC	NO	NC	NO	
01	-	314 series	90 mm	67	128	169	72	91	P _{NC}	P _{NO}	0,610
			125 mm	86	147	188	123	142			
02	SC	356 series	90 mm	67	119	150	46	65	P _{NC}	P _{NO}	0,253
			125 mm	86	138	169	97	116			

⁽¹⁾ including adapter connection, coil and connector.

All leaflets are available on: www.asco.com