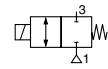




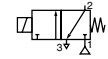
# SOLENOID VALVES

direct operated, quick switching  
manifold mount, pad-mount or inline version,  
or push-in hose connection

2/2 NC



3/2 NC



2/2  
3/2  
Series  
RB

## FEATURES

- Miniature solenoid valves for medical and gas analysers and leak detectors
- Suitable for the control of gases
- The valves have a service life of more than 100 million cycles when used with inert gas
- Short response times
- Easy to integrate thanks to the valve's small size
- Available in a variety of versions for a wide range of applications: threaded connections or pad-mount for installation on multiple manifolds
- Vacuum application up to -0.1 bar abs.
- Low power consumption and light weight offers extended battery life for portable devices
- Multiple body configurations to suit all application needs

## GENERAL

**Differential pressure** See "SPECIFICATIONS" [1 bar = 100 kPa]  
**Response time** < 10 ms

fluids (*)	temperature range (TS)	seal materials (*)
air, inert gases (filtered 10 µm)	0 °C to +60 °C	FPM (fluoroelastomer) NBR (nitrile)

## MATERIALS IN CONTACT WITH FLUID

(\*) Ensure that the compatibility of the fluids in contact with the materials is verified

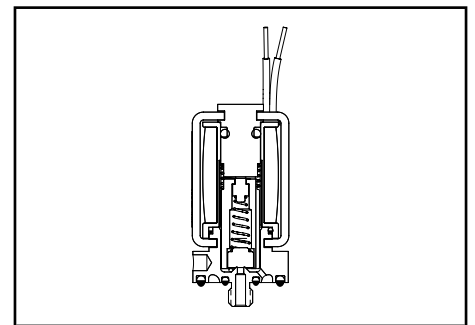
**Body** PBT, brass  
**Internal parts** Stainless steel  
**Seat** PBT, brass  
**Seals** FPM, NBR

## ELECTRICAL CHARACTERISTICS

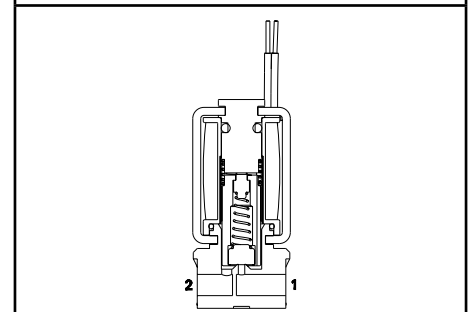
**Coil insulation class** B (130°C)  
**Connection** Cable ends 26 AWG or circuit board mount  
**Electrical safety** IEC 335  
**Electrical enclosure protection** IP30 (EN 60529)  
**Standard voltages** DC (±) : 5V - 12V - 24V

prefix option	power ratings				operator ambient temperature range (TS) (C°)	replacement coil	
	inrush	holding		hot/cold			
	~	~	=	=			
-	(VA)	(VA)	(W)	(W)	(C°)	-	-
-	-	-	-	0,5 / 1,0 / 2,0	0 to +60	-	-

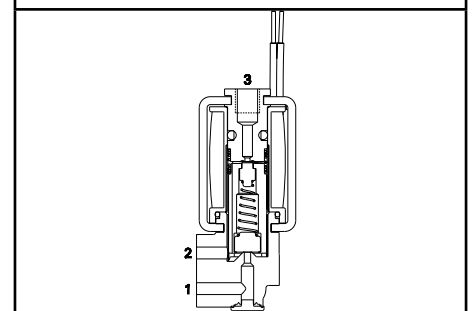
(1) Refer to the dimensional drawings on the following page.



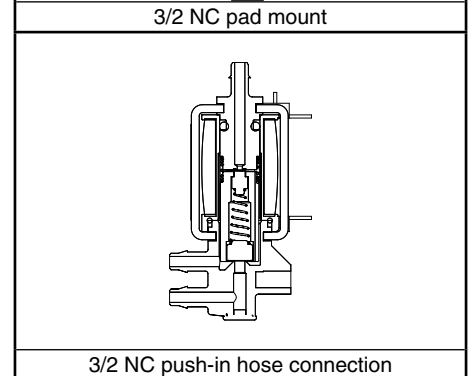
2/2 NC manifold mount



2/2 NC line mount



3/2 NC pad mount

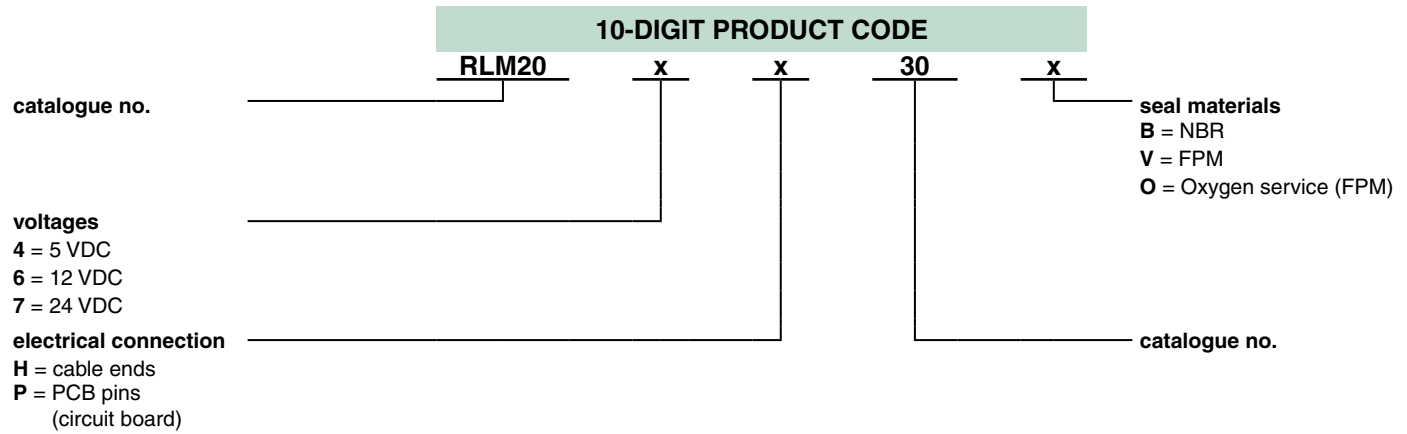


3/2 NC push-in hose connection

### SPECIFICATIONS

pipe size	orifice size (mm)	flow coefficient Kv		operating pressure differential (bar)		power coil (W)	catalogue number
				min,	max, (PS)		
					air, inert gas (*)		
(m³/h)	(l/min)	=	=	=	=		
<b>2/2 NC - Normally closed</b>							
10-32 UNF Stud Manifold Mount, Brass (M)	0,8	0,021	0,35	-0,9	3,4	0,5	<b>RLM20xx30x</b>
	0,8	0,021	0,35	-0,9	6,9	2,0	<b>RHM20xx30x</b>
	1,3	0,047	0,78	-0,9	1,7	0,5	<b>RLM20xx50x</b>
	1,3	0,047	0,78	-0,9	3,4	1,0	<b>RMM20xx50x</b>
	1,3	0,047	0,78	-0,9	6,9	2,0	<b>RHM20xx50x</b>
	2,0	0,07	1,16	-0,9	1,7	2,0	<b>RHM20xx80x</b>
10-32 UNF Female In-Line, Brass (L)	0,8	0,021	0,35	-0,9	3,4	0,5	<b>RLL20xx30x</b>
	0,8	0,021	0,35	-0,9	6,9	2,0	<b>RHL20xx30x</b>
	1,3	0,047	0,78	-0,9	1,7	0,5	<b>RLL20xx50x</b>
	1,3	0,047	0,78	-0,9	3,4	1,0	<b>RML20xx50x</b>
	1,3	0,047	0,78	-0,9	6,9	2,0	<b>RHL20xx50x</b>
	2,0	0,07	1,16	-0,9	1,7	2,0	<b>RHL20xx80x</b>
3,17 mm Push-in Hose Connector PBT (B)	0,8	0,021	0,35	-0,9	1,0	0,5	<b>RLB20xx30x</b>
	0,8	0,021	0,35	-0,9	3,4	1,0	<b>RMB20xx30x</b>
	0,8	0,021	0,35	-0,9	6,9	2,0	<b>RHB20xx30x</b>
	1,3	0,047	0,78	-0,9	0,7	0,5	<b>RLB20xx50x</b>
	1,3	0,047	0,78	-0,9	2,4	1,0	<b>RMB20xx50x</b>
	1,3	0,047	0,78	-0,9	4,8	2,0	<b>RHB20xx50x</b>
Pad Mount, PBT (F)	0,8	0,021	0,35	-0,9	1,0	0,5	<b>RLF20xx30x</b>
	0,8	0,021	0,35	-0,9	3,4	1,0	<b>RMF20xx30x</b>
	0,8	0,021	0,35	-0,9	6,9	2,0	<b>RHF20xx30x</b>
	1,3	0,047	0,78	-0,9	0,7	0,5	<b>RLF20xx50x</b>
	1,3	0,047	0,78	-0,9	2,4	1,0	<b>RMF20xx50x</b>
	1,3	0,047	0,78	-0,9	4,8	2,0	<b>RHF20xx50x</b>
	2,0	0,07	1,16	-0,9	1,7	2,0	<b>RHF20xx80x</b>

### HOW TO ORDER

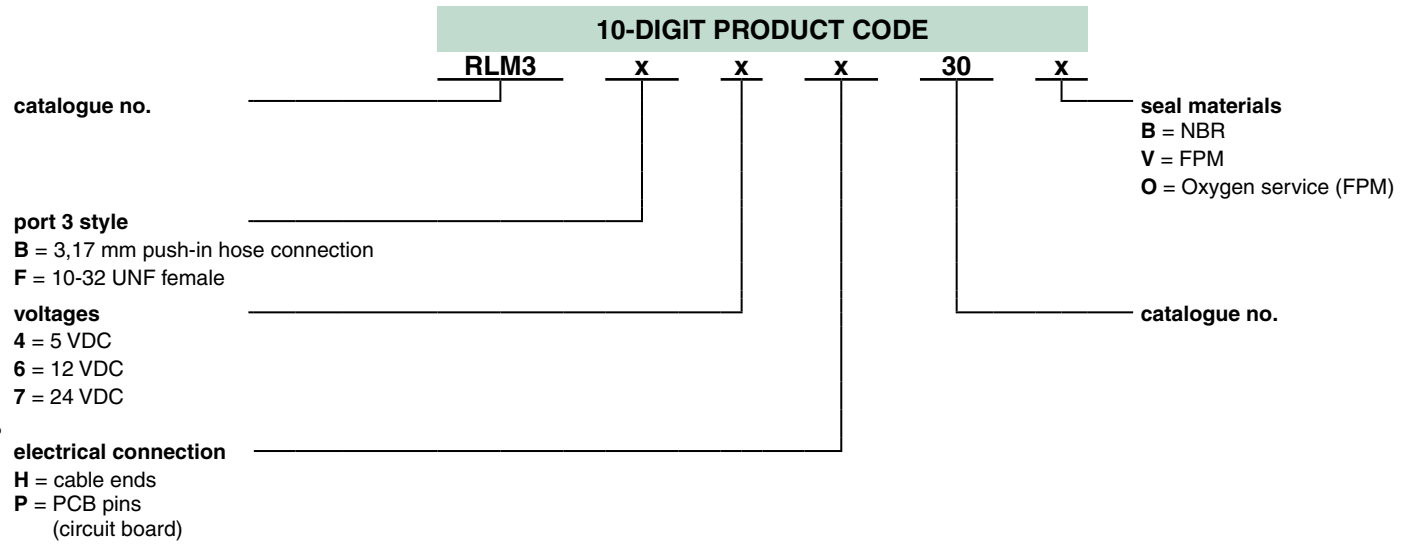


**Ordering example:** RLM204H30B = 2-way (normally closed), 5 VDC, manifold mount with 0,8 mm orifice, 0,5 watt, cable ends, NBR seals

### SPECIFICATIONS

pipe size	orifice size (mm)		flow coefficient Kv		operating pressure differential (bar)		power coil (W)	catalogue number
					min,	max, (PS)		
	1 → 2	2 → 3	(m³/h)	(l/min)				
<b>3/2 NC - Normally closed</b>								
10-32 UNF Stud Manifold Mount, Brass (M)	0,8	1,0	0,021	0,35	-0,9	3,4	0,5	RLM3xxx34x
	0,8	1,0	0,021	0,35	-0,9	6,9	2,0	RHM3xxx34x
	1,3	1,3	0,047	0,78	-0,9	1,0	0,5	RLM3xxx55x
	1,3	1,3	0,047	0,78	-0,9	3,4	1,0	RMM3xxx55x
	1,3	1,3	0,047	0,78	-0,9	6,9	2,0	RHM3xxx55x
	2,0	1,3	0,07 / 0,047	1,16 / 0,78	-0,9	1,7	2,0	RHM3xxx85x
10-32 UNF Female In-Line, Brass (L)	0,8	1,0	0,021	0,35	-0,9	3,4	0,5	RLL3xxx34x
	0,8	1,0	0,021	0,35	-0,9	6,9	2,0	RHL3xxx34x
	1,3	1,3	0,047	0,78	-0,9	1,0	0,5	RLL3xxx55x
	1,3	1,3	0,047	0,78	-0,9	3,4	1,0	RML3xxx55x
	1,3	1,3	0,047	0,78	-0,9	6,9	2,0	RHL3xxx55x
	2,0	1,3	0,07 / 0,047	1,16 / 0,78	-0,9	1,7	2,0	RHL3xxx85x
3,17 mm push-in hose PBT (B)	0,8	1,0	0,021	0,35	-0,9	1,0	0,5	RLB3xxx34x
	0,8	1,0	0,021	0,35	-0,9	3,4	1,0	RMB3xxx34x
	0,8	1,0	0,021	0,35	-0,9	6,9	2,0	RHB3xxx34x
	1,3	1,3	0,047	0,78	-0,9	0,7	0,5	RLB3xxx55x
	1,3	1,3	0,047	0,78	-0,9	2,4	1,0	RMB3xxx55x
	2,0	1,3	0,07 / 0,047	1,16 / 0,78	-0,9	4,8	2,0	RHB3xxx55x
Pad Mount, PBT (F)	0,8	1,0	0,021	0,35	-0,9	1,0	0,5	RLF3xxx34x
	0,8	1,0	0,021	0,35	-0,9	3,4	1,0	RMF3xxx34x
	0,8	1,0	0,021	0,35	-0,9	6,9	2,0	RHF3xxx34x
	1,3	1,3	0,047	0,78	-0,9	0,7	0,5	RLF3xxx55x
	1,3	1,3	0,047	0,78	-0,9	2,4	1,0	RMF3xxx55x
	2,0	1,3	0,07 / 0,047	1,16 / 0,78	-0,9	4,8	2,0	RHF3xxx55x
	2,0	1,3	0,07 / 0,047	1,16 / 0,78	-0,9	1,7	2,0	RHF3xxx85x

### HOW TO ORDER



**Ordering example:** RLM3B7P34V = 3-way (normally closed), 24 VDC, port 3 with push-in hose connection, manifold mount with 0,8 mm orifice, 0.5 watt, PCB pins, FPM seals

### OPTIONS


- Other voltages
- Other seal materials
- Other electrical connectors
- Oxygen service
- Other pipe connections

### INSTALLATION

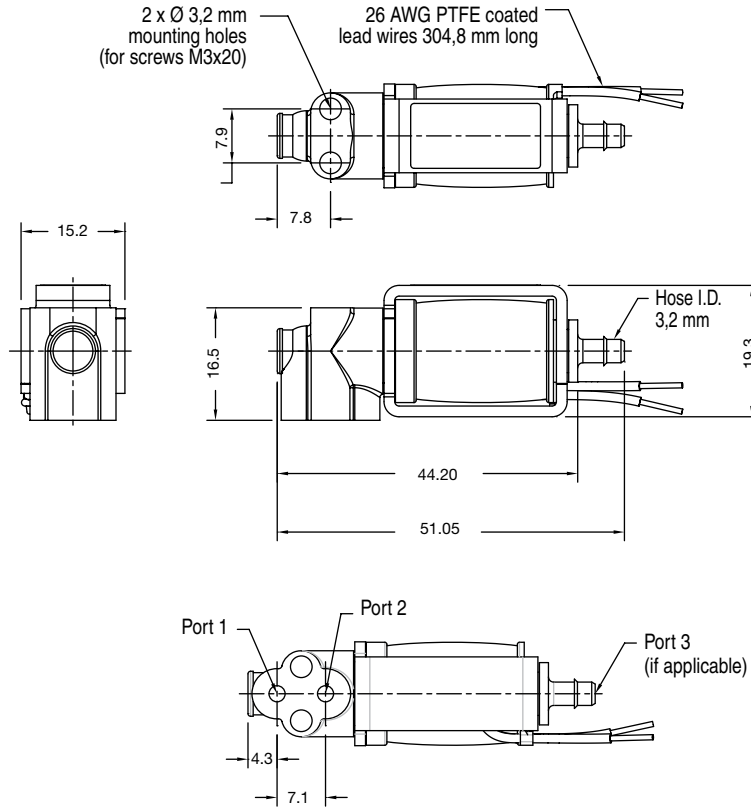
- The solenoid valves can be mounted in any position without affecting operation
- Threaded solenoid valves have 2 mounting holes in body
- Pad-mount valves and o-ring seals for multiple manifolds

01045GB-2015/R01 Availability, design and specifications are subject to change without notice. All rights reserved.

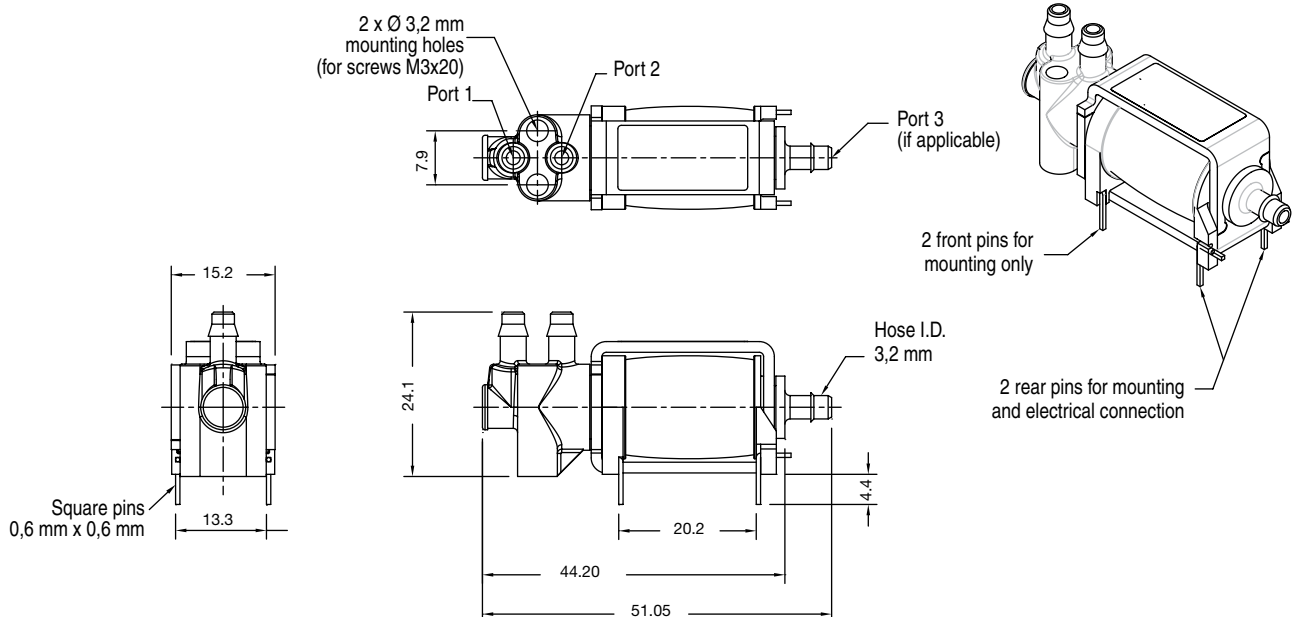
All leaflets are available on: [www.asconumatics.eu](http://www.asconumatics.eu)

DIMENSIONS (mm), WEIGHT (kg) 


### 2- and 3-way pad mount solenoid valve



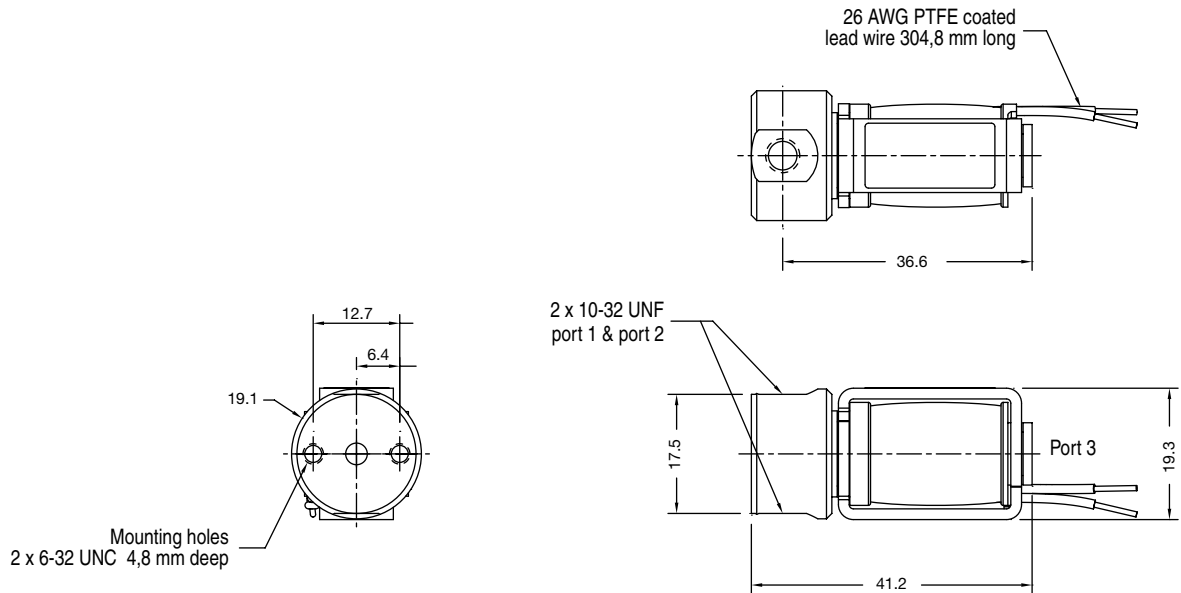
### 2- and 3-way solenoid valve with push-in hose connection



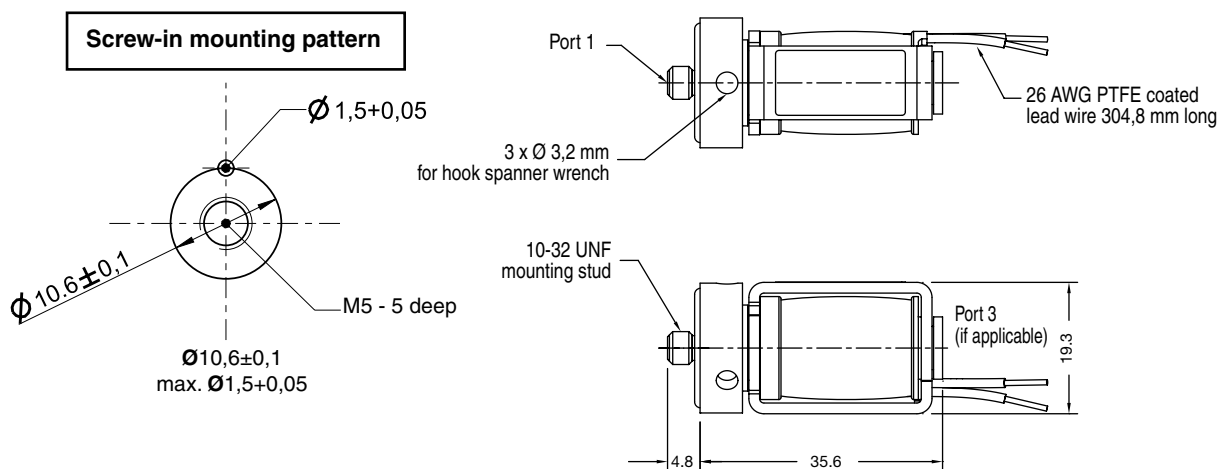
All leaflets are available on: [www.asconumatics.eu](http://www.asconumatics.eu)

DIMENSIONS (mm), WEIGHT (kg) 

### 2- and 3-way line mount solenoid valve



### 2- and 3-way manifold mount solenoid valve



01 045GB-2014/R01  
Availability, design and specifications are subject to change without notice. All rights reserved.

All leaflets are available on: [www.asconumatics.eu](http://www.asconumatics.eu)

