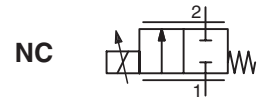




# PROPORTIONAL SOLENOID VALVE

## POSIFLOW

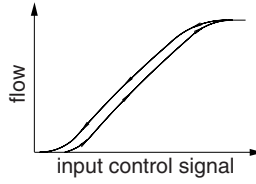
direct operated  
pad mounting body, M5 subbase



2/2  
Series  
202

### FEATURES

- Proportional solenoid valves for mounting on single subbase with threaded M5 port connections
- Variable flow, proportional to the control signal
- Valves do not require a minimum operating pressure
- Valves can be mounted in any position
- The solenoid valves satisfy all relevant EU directives



### GENERAL

Differential pressure See «SPECIFICATIONS» [1 bar = 100 kPa]

fluids (*)	temperature range (TS)	seal materials (*)
air, inert gas	0°C to +60°C	FPM (fluoroelastomer)

### MATERIALS IN CONTACT WITH FLUID

(\*) Ensure that the compatibility of the fluids in contact with the materials is verified

Body	Brass
Core tube	Brass
Core and plugnut	Stainless steel
Springs	Stainless steel
Seat	Brass
Seals	FPM

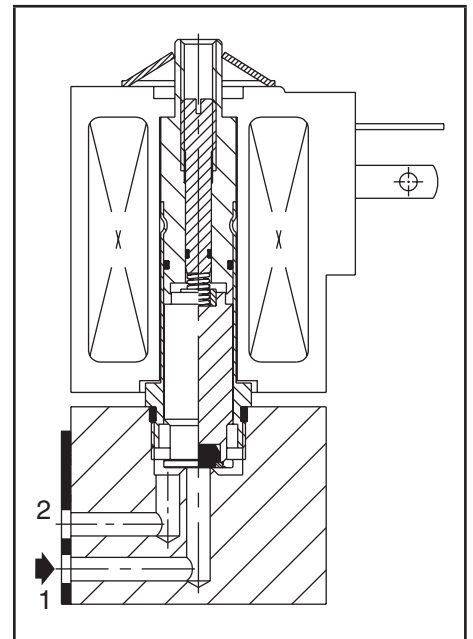
### ELECTRICAL CHARACTERISTICS

Coil insulation class	F
Connector	Spade plug (cable Ø 4-6 mm)
Connector specification	DIN 43650, 9,4 mm, form C
Electrical safety	IEC 335
Electrical enclosure protection	Moulded IP65 (EN 60529)
Standard voltages <sup>(2)</sup>	DC (=) : 12V, 24V (Other voltages on request)

prefix option	voltage (V) =	current consumption (mA)	power ratings			operator ambient temperature range (TS) <sup>(2)</sup> (C°)	type <sup>(1)</sup>
			inrush ~ (VA)	holding ~ (VA)	hot/cold = (W)		
SC	12	max. 175	-	-	-	0 to +60	01
	24	max. 125	-	-	3 / 2,6		

Voltage regulation <sup>(3)</sup> 0 - 24 V DC  
24 V DC pulse width modulated (1000 Hz)

Flow regulation characteristics <sup>(2)</sup> Hysteresis < 5%; Repeatability < 3%; Sensitivity < 2%



### SPECIFICATIONS

pipe size	orifice size (mm)	flow coefficient Kv (m³/h) (l/min)		operating pressure differential (bar)				power coil (W)	catalogue number (=)	
				max. (PS)		min.	vacuum			air (*)
				=	=					
<b>NC - Normally closed, pad mounting body (solenoid valve alone)</b>										
pad mounting	0,8	0,02	0,3	0	1	12	2,6	SCS202A101V		
	1,2	0,05	0,8	0	1	7	2,6	SCS202A102V		
	1,6	0,08	1,3	0	1	4	2,6	SCS202A103V		
	2	0,1	1,7	0	1	2,5	2,6	SCS202A104V		
<b>NC - Normally closed, pad mounting body, solenoid valve with M5 subbase <sup>(4)</sup></b>										
M5	0,8	0,02	0,3	0	1	12	2,6	SCE202A105V		
	1,2	0,05	0,8	0	1	7	2,6	SCE202A106V		
	1,6	0,08	1,3	0	1	4	2,6	SCE202A107V		
	2	0,1	1,7	0	1	2,5	2,6	SCE202A108V		

- (1) Refer to the dimensional drawings on the following page.  
 (2) Percentage of max value with 24 V DC, P.W.M. 1000 Hz.  
 (3) For electronic proportional control unit, please contact us.  
 (4) Solenoid valve supplied with single subbase with threaded M5 port connections, catalogue number: 30300001

00019GB-2018/R01 Availability, design and specifications are subject to change without notice. All rights reserved.

All leaflets are available on: [www.asco.com](http://www.asco.com)



青岛秉诚自动化设备有限公司  
地址：中国·青岛市重庆南路99号海尔云街甲3号楼7F

服务热线：4006-918-365  
网址：http://www.ivalve.cc

Proportional Valves - 7  
传真：(86-532)585-10-365  
Email：sales@bechinas.com

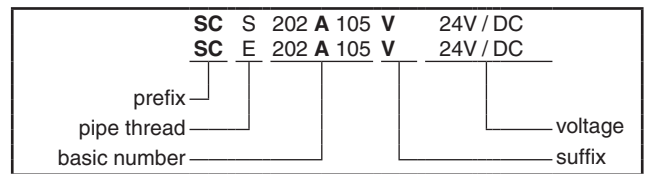
### OPTIONS

- Solenoid operators for use in zone 22, category 3, to ATEX Directive 2014/34/EU, on request
- Electronic proportional control unit [catalogue number: **E908A004** ([www.asco.com](http://www.asco.com))]
  - analog input control signals: 0 - 10 V DC, 0 - 20 mA or 4 - 20 mA
  - coil current (= flow rate) adjustable to required control signals
  - switch-off function at less than 2% of maximum input control signal
  - adjustable ramp control
  - adjustable frequency
  - output current independent of coil resistance (temperature) and supply voltage variations
- Other pipe connections are available on request

### INSTALLATION

- The solenoid valves can be mounted in any position without affecting operation
- For details on single subbase with threaded M5 port connections, contact us (catalogue number: **30300001**)
- Installation/maintenance instructions are included with each valve

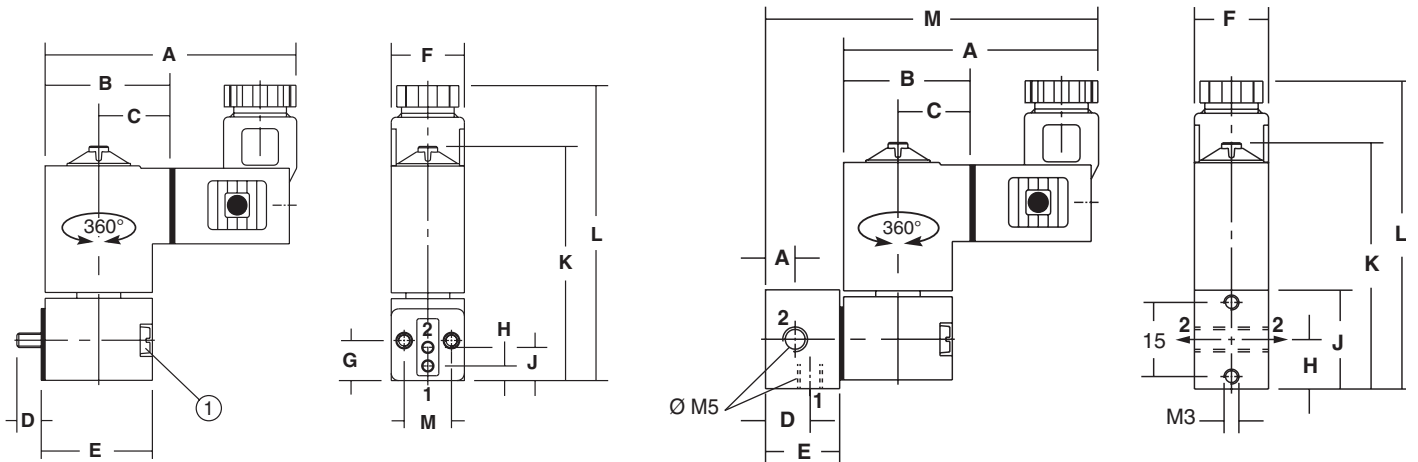
### ORDERING EXAMPLES:



### DIMENSIONS (mm), WEIGHT (kg)


**TYPE 01**  
 Prefix "SC" Solenoid  
 Epoxy moulded  
 IEC 335 / DIN 43650  
 IP65  
**SCS202A101V/102V/103V/104V**

**SCE202A105V/106V/107V/108V**



① 2 M3 x 25 mounting screws

type	prefix option	catalogue number	A	B	C	D	E	F	G	H	J	K	L	M	weight <sup>(1)</sup>
01	SC	SCS202A101V/102V/103V/104V	53	25,6	14,8	5	22,8	15	8,2	3	6,8	48	61	9,7	0,95
		SCE202A105V/106V/107V/108V	53	25,6	14,8	9	15	15	6	10	20	52	65	68	1,25 <sup>(2)</sup>

<sup>(1)</sup> including coil and connector.

<sup>(2)</sup> with subbase

All leaflets are available on: [www.asco.com](http://www.asco.com)