

FEATURES

- Wide range of flow and pressure ratings
- Quick disassembly of core tube for easy maintenance of internal parts
- Standard disc seal made of FPM suitable for a wide range of operating temperatures and compatible with many fluids
- Standard manual operator allows an easy installation (Except 4 and 5 mm orifice sizes)
- AC/DC interchangeability of the solenoid without disassembly of the valve
- Compliance with UL and CSA standards (coil 4/6,9 W)
- Compact and low weight valve
- The solenoid valves satisfy all relevant EU directives

GENERAL

Differential pressure See «SPECIFICATIONS» [1 bar =100 kPa]
Maximum viscosity 40 cSt (mm²/s)
Response time 5 - 10 ms

| fluids (*) | temperature range (TS) | seal materials (*) |
|----------------------------|------------------------|-----------------------|
| air, inert gas, water, oil | -10°C to +100°C | FPM (fluoroelastomer) |

MATERIALS IN CONTACT WITH FLUID

(*) Ensure that the compatibility of the fluids in contact with the materials is verified

| | Brass body | Stainless steel body |
|-------------------------|-----------------|----------------------|
| Body | Brass | AISI 316 |
| Core tube | Stainless steel | Stainless steel |
| Core and plugnut | Stainless steel | Stainless steel |
| Springs | Stainless steel | Stainless steel |
| Seat | Brass | Stainless steel |
| Seals | FPM | FPM |
| Disc | FPM | FPM |
| Shading coil | Copper | Copper |

ELECTRICAL CHARACTERISTICS

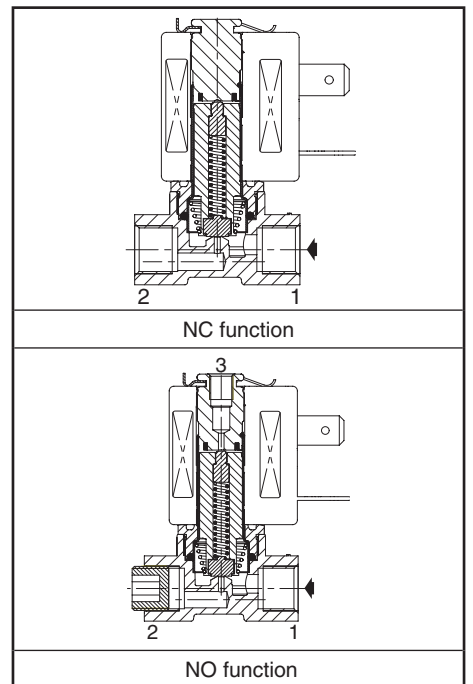
Coil insulation class F
Connector Spade plug (cable Ø 6-8 mm or Ø 6-10 mm)
Connector specification DIN 43650, 11 mm, industry standard B (type 01) or ISO 4400 / EN 175301-803, form A (type 02)
Electrical safety IEC 335
Electrical enclosure protection Moulded IP65 (EN 60529)
Standard voltages DC (=) : 24V - 48V
 (Other voltages and 60 Hz on request) AC (~) : 24V - 48V - 115V - 230V / 50 Hz

| prefix option | power ratings | | | | operator ambient temperature range (TS) (C°) | replacement coil | | type ⁽¹⁾ |
|---------------|---------------|-----------|------------|---------|--|------------------|------------|---------------------|
| | inrush ~ | holding ~ | hot/cold = | | | ~ | = | |
| | (VA) | (VA) | (W) | (W) | | 230 V/50 Hz | 24 V DC | |
| SC | 12 | 6 | 4 | 5 / 6,9 | -10 to +60 | 400127-197 | 400127-142 | 01 |
| | 15 | 7 | 5 | 4 / 5 | -10 to +60 | 400727-117 | 400727-185 | 02 |

⁽¹⁾ Refer to the dimensional drawings on the following page.

SPECIFICATIONS

| pipe size | orifice size | flow coefficient Kv | | operating pressure differential (bar) | | | | | | power coil (W) | | catalogue number | | options | | | |
|-----------------------------|--------------|---------------------|---------|---------------------------------------|-----------|-----------|---------|----|-------|----------------|-----|------------------|---------------|---------------|---|---|---|
| | | | | min. | max. (PS) | | | | brass | | | stainless steel | EPDM | | | | |
| | | | | | air (*) | water (*) | oil (*) | | | | | | | | | | |
| G | (mm) | (m ³ /h) | (l/min) | | ~ | = | ~ | = | ~ | = | ~/= | ~/= | | | | | |
| NC - Normally closed | | | | | | | | | | | | | | | | | |
| 1/8 | 1,2 | 0,05 | 0,8 | 0 | 28 | 20 | 28 | 20 | 28 | 20 | 4 | 6,9 | SCG256B001VMS | SCG256B013VMS | E | - | - |
| | 1,6 | 0,08 | 1,33 | 0 | 20 | 12 | 20 | 12 | 20 | 12 | 4 | 6,9 | SCG256B002VMS | SCG256B014VMS | E | - | - |
| | 2,0 | 0,11 | 1,83 | 0 | 15 | 6 | 15 | 6 | 15 | 6 | 4 | 6,9 | SCG256B003VMS | SCG256B015VMS | E | - | - |
| | 2,4 | 0,13 | 2,16 | 0 | 12 | 4 | 12 | 4 | 12 | 4 | 4 | 6,9 | SCG256B004VMS | SCG256B016VMS | E | - | - |
| 1/4 | 1,6 | 0,08 | 1,33 | 0 | 20 | 12 | 20 | 12 | 20 | 12 | 4 | 6,9 | SCG256B402VMS | SCG256B414VMS | - | - | - |
| | | | | | 20 | 15 | 20 | 15 | 20 | 15 | 5 | 5 | SCG256B466VMS | SCG256B434VMS | - | - | - |
| | 2,4 | 0,16 | 2,67 | 0 | 12 | 4 | 12 | 4 | 12 | 4 | 4 | 6,9 | SCG256B404VMS | SCG256B416VMS | - | - | - |
| | | | | | 15 | 8 | 15 | 8 | 15 | 8 | 5 | 5 | SCG256B470VMS | SCG256B436VMS | - | - | - |
| | 4 | 0,33 | 5,5 | 0 | 5 | 2 | 5 | 2 | 5 | 2 | 5 | 5 | SCG256B471V | - | - | - | - |
| | 5 | 0,45 | 7,5 | 0 | 3 | 1 | 3 | 1 | 3 | 1 | 5 | 5 | SCG256B472V | - | - | - | - |
| NO - Normally open | | | | | | | | | | | | | | | | | |
| 1/8 | 1,2 | 0,05 | 0,8 | 0 | 10 | 10 | 10 | 10 | 10 | 10 | 4 | 6,9 | SCG256B006VMS | SCG256B018VMS | E | - | - |



OPTIONS

- Valves can also be supplied with EPDM (ethylene-propylene) seals and discs. Use the appropriate optional suffix letter for identification (1/8 version only)
- Explosionproof enclosures for use in zones 1/21-2/22, categories 2-3 to ATEX Directive 2014/34/EU (www.asco.com)
- Flying leads coil, use prefix L (e.g.: LG256B001VMS) (4 W/6,9 W coil only)
- Oxygen service with seals and disc in FPM, suffix NV, example: SCG256B001NVMS
- Solenoid valves integrated on manifold, orifice sizes 1,2 - 1,6 - 2 - 2,4 mm (www.asco.com)
- Without manual operator, on request
- Other pipe connections are available on request
- Connector with visual indication and peak voltage suppression or with cable length of 2 m (www.asco.com)

INSTALLATION

- The solenoid valves can be mounted in any position without affecting operation
- Solenoid valves have 2 mounting holes in body
- Pipe connection identifier is G = G (ISO 228/1)
- Installation/maintenance instructions are included with each valve

ORDERING EXAMPLES:

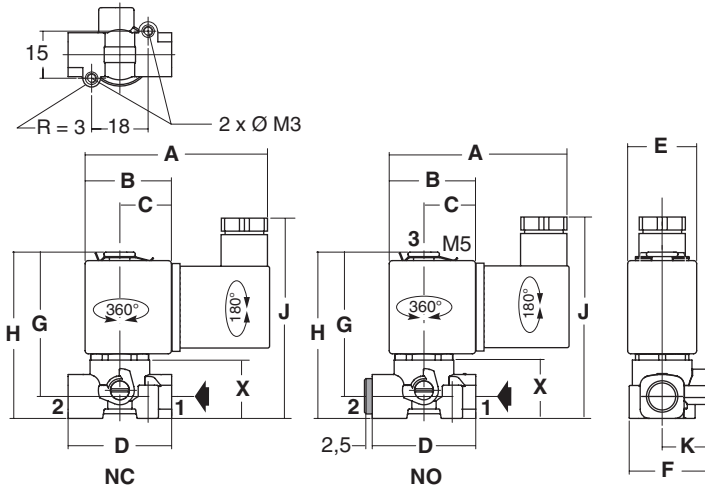
| | | | | | |
|----|---|-----|-------|------|--------------|
| SC | G | 256 | B 001 | VMS | 230V / 50 Hz |
| SC | G | 256 | B 002 | EMS | 115V / 50 Hz |
| SC | G | 256 | B 014 | NVMS | 24V / DC |
| SC | G | 256 | B 001 | FWMS | 24V / DC |
| SC | G | 256 | B 471 | V | 230V / 50 Hz |
| SC | G | 256 | B 006 | VMS | 230V / 50 Hz |

prefix: SC
 pipe thread: G
 basic number: 256
 suffix: B 001, EMS, NVMS, FWMS, V, VMS
 voltage: 230V / 50 Hz, 115V / 50 Hz, 24V / DC

DIMENSIONS (mm), WEIGHT (kg)

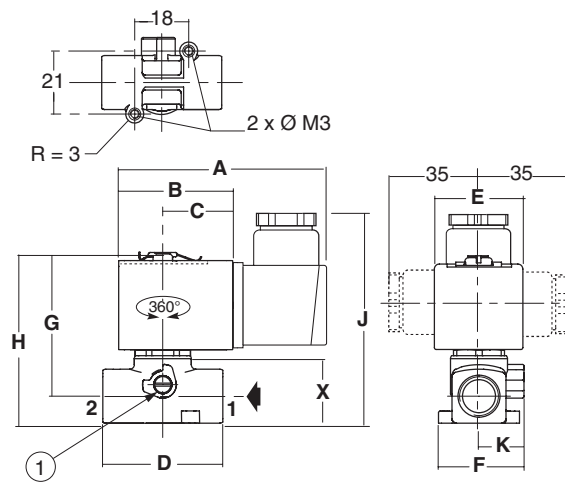
TYPE 01
 Prefix "SC" Solenoid
 Epoxy moulded
 IEC 335 / DIN 43650
 IP65

NC (1/8): SCG256B001V/002V/003V/004V/013V/014V/015V/016V
 NO (1/8): SCG256B006V/018V



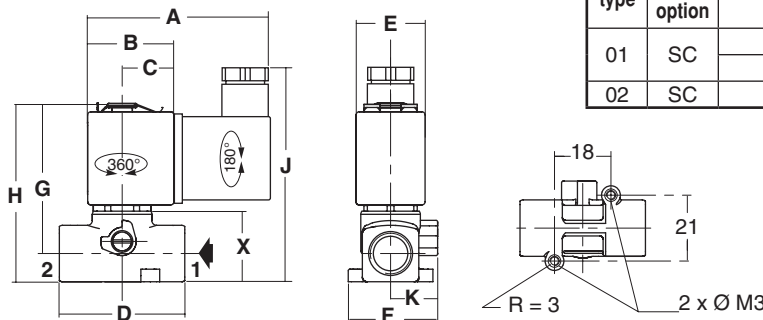
TYPE 02
 Prefix "SC" Solenoid
 Epoxy moulded
 IEC 335 / ISO 4400
 IP65

NC (1/4): SCG256B434VMS/436VMS/466VMS/470VMS/471V/472V



① Except catalogue numbers: SCG256B471V/472V

NC (1/4): SCG256B402VMS/404VMS/414VMS/416VMS



| type | prefix option | pipe size | A | B | C | D | E | F | G | H | J | K | X |
|------|---------------|-----------|------|------|------|----|------|------|----|----|------|----|------|
| 01 | SC | 1/8 | 60,5 | 27,5 | 16,5 | 33 | 22 | 25,5 | 46 | 53 | 69 | 15 | 18,6 |
| | | 1/4 | 60,5 | 27,5 | 16,5 | 40 | 22 | 28,5 | 48 | 57 | 76 | 15 | 23,4 |
| 02 | SC | 1/4 | 76 | 38 | 23,3 | 40 | 29,7 | 28,5 | 48 | 57 | 78,5 | 15 | 23,4 |

| type | prefix option | pipe size | weight ⁽²⁾ | |
|------|---------------|-----------|-----------------------|-----------------|
| | | | brass | stainless steel |
| 01 | SC | 1/8 | 0,152 | 0,148 |
| | | 1/4 | 0,180 | 0,177 |
| 02 | SC | 1/4 | 0,235 | 0,232 |

²⁾ Incl. coil(s) and connector(s).

All leaflets are available on: www.asco.com