

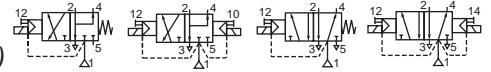
ASCO™ Solenoid Valves

single/dual solenoid (mono/bistable function) - pilot operated
stainless steel body - "NAMUR" style - 1/4" and 1/2" tapped

3/2 NC - 5/2
SERIES
551 - 553

Features

- The monostable spool valves in conformity with IEC 61508 Standard (2010 route 2_H version) have TÜV (551 series) and EXIDA (551-553 series) certified with integrity levels: SIL 2 for HFT = 0 / SIL 3 for HFT = 1
- The solenoid operated spool valves have threaded port connections and "NAMUR" interface
- The same spool valve can be adapted for 3/2 NC or 5/2 functions for controlling double-acting and single-acting actuators
- All the exhaust ports of the spool valve are connectable, providing better environmental protection. Particularly recommended for sensitive areas, such as clean rooms, and applications in the pharmaceutical and food processing sectors
- The valves offer environmental protection against the ingress of liquids, dusts or other foreign matter (environmentally-protected construction)
- Can be externally piloted (external air pilot supply) to convert valve to zero minimum operation by flipping a gasket
- The solenoid valves satisfy all relevant EU Directives



General

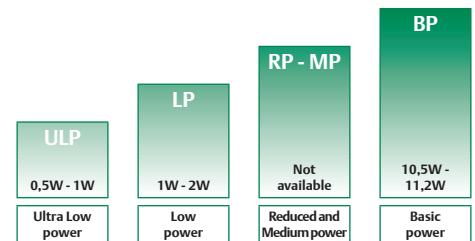
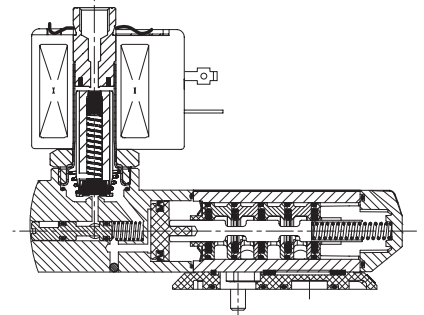
Differential pressure 2 - 10,4 bar [1 bar = 100 kPa]
Flow (Q_v at 6 bar) 1/4 = 700 l/min (ANR)
1/2 = 3000 l/min

fluids (*)	temperature range (TS)	seal materials (*)
air, inert gas, filtered	551: -40°C to +80°C	VMQ (silicone) + PUR (polyurethane)
	553: -40°C to +60°C	

Materials in contact with fluid

(*) Ensure that the compatibility of the fluids in contact with the materials is verified

Body, end covers	Stainless steel, AISI 316L
Interface plates	Glass fibre filled PA
Spool valve internal parts	Stainless steel, POM
Core tube	Stainless steel
Core and plugnut	Stainless steel
Core spring	Stainless steel
Seals & discs	NBR
Top disc	FPM
Disc holder	POM
Cartridge (Low power)	Welded, packless AISI 430
Seat	Stainless steel
Seat insert	POM
Shading coil	Silver
Rider ring (Low power)	PTFE (NF/WSNF solenoids only)



POWER LEVELS - cold electrical holding values (watt)

Specifications

pipe size	orifice size	flow coefficient Kv	operating pressure differential (bar)		power level	prefix optional solenoids								basic catalogue number						
			min. ⁽¹⁾	max. (PS)		NEMA 7 & 9	NEMA 7 & 9 ATEX IECEx	ATEX / IECEx				IP65								
								Ex db	Ex eb mb	Ex mb	Ex ia									
(*)	(mm)	(m ³ /h) (l/min)	~	=	~/=	EF ⁽²⁾	EV ⁽²⁾	LPKF	NF	EM	PV	LI	WSLI	SC						
3/2 NC - 5/2 - Solenoid air pilot operated - spring return (monostable)																				
1/4	6	0,60	10	0/2	10	10	BP	-	-	-	●	●	●	-	-	●	❖551A409 ⁽³⁾			
							BP	●	●	-	-	-	-	-	-	-	-	-	❖551H409 ⁽³⁾	
							LP	-	-	●	●	●	○	-	-	●	-	-	❖551A309 ⁽³⁾	
							LP	○	○	-	-	-	-	-	-	-	-	-	-	❖551G309 ⁽³⁾
							ULP	-	-	○	-	-	-	○	○	-	-	-	-	❖551A309 ⁽³⁾
1/2	13	2,49	41,5	0/2	10	10	BP	-	-	-	●	●	●	-	-	●	❖553A409 ⁽³⁾			
							BP	●	●	-	-	-	-	-	-	-	-	❖553H409 ⁽³⁾		
							LP	-	-	●	●	●	○	-	-	●	-	❖553A309 ⁽³⁾		
							LP	○	○	-	-	-	-	-	-	-	-	-	❖553G309 ⁽³⁾	
							ULP	-	-	○	-	-	-	○	○	-	-	-	❖553A309 ⁽³⁾	
ULP	○	○	-	-	-	-	-	-	-	-	-	-	❖553H309 ⁽³⁾							

❖ Select 8 for NPT ANSI 1.20.3 or select G for ISO G (228/1) ● Available feature ○ Available feature in DC only. - Not available

⁽¹⁾ Zero minimum is only achieved if external pressure is applied.

⁽²⁾ UL CSA

⁽³⁾ Certified IEC 61508 Functional Safety data, use suffix "SL".

NAMUR - 3/2 NC - 5/2
SERIES
551 - 553

Specifications

pipe size	orifice size	flow coefficient Kv		operating pressure differential (bar)			power level	prefix optional solenoids										basic catalogue number	
								min. ⁽¹⁾		max. (PS)		NEMA 7 & 9	NEMA 7 & 9 ATEX IECEx	ATEX / IECEx					IP65
								~	=	~	=			~	=	~	=		
(❖)	(mm)	(m ³ /h)	(l/min)				EF ⁽²⁾	EV ⁽²⁾	LPKF	NF	EM	PV	LI	WSLI	SC				
3/2 NC - 5/2 - Solenoid air pilot operated and return (bistable)																			
1/4	6	0,60	10	0 / 2	10	10	BP	-	-	-	●	●	●	-	-	●	❖551A410		
							BP	●	●	-	-	-	-	-	-	-	-	❖551H410	
							LP	-	-	●	●	●	○	-	-	●	❖551A310		
							LP	○	○	-	-	-	-	-	-	-	❖551G310		
							ULP	-	-	○	-	-	-	○	○	-	❖551A310		
							ULP	○	○	-	-	-	-	-	-	-	❖551H310		
1/2	13	2,49	41,5	0 / 2	10	10	BP	-	-	-	●	●	●	-	-	●	❖553A410		
							BP	●	●	-	-	-	-	-	-	-	❖553H410		
							LP	-	-	●	●	●	○	-	-	●	❖553A310		
							LP	○	○	-	-	-	-	-	-	-	❖553G310		
							ULP	-	-	○	-	-	-	○	○	-	❖553A310		
							ULP	○	○	-	-	-	-	-	-	-	❖553H310		

❖ Select 8 for NPT ANSI 1.20.3 or select G for ISO G (228/1) ● Available feature ○ Available feature in DC only. - Not available

⁽¹⁾ Zero minimum is only achieved if external pressure is applied.

⁽²⁾ UL CSA

Prefix table

prefix							description	power level			
1	2	3	4	5	6	7		ULP	LP	MP	BP
E	F						Explosionproof - NEMA 7, 9 - Zinc plated steel conduit (18" continuous leads)	○	○	-	●
E	F	H	T				EF (18" continuous leads) + high temperature	○	○	-	●
E	F	H	T	L			EF + high temperature + 72" continuous leads	○	○	-	●
E	F	L					EF + 72" continuous leads	○	○	-	●
J	B	E	F				EF + Junction box (conduit in 1/2" NPT)	○	○	-	●
J	B	E	F	M	F		EF + Junction box (conduit in 1/2" NPT) + surge suppression coils	○	○	-	●
J	C	E	F				EF + Junction box (conduit in 3/4" NPT)	○	○	-	●
J	C	E	F	H	T		EF + Junction box (conduit in 3/4" NPT) + high temperature	○	○	-	●
E	V						Explosionproof - NEMA 7, 9 - 316 SS conduit (18" continuous leads)	○	○	-	●
E	V	H	T				EV (18" continuous leads) + high temperature	○	○	-	●
E	V	H	T	L			EV + high temperature + 72" continuous leads	○	○	-	●
E	V	L					EV + 72" continuous leads	○	○	-	●
E	V	M	F				EV + surge suppression coils	○	○	-	●
E	V	M	F	L			EV + surge suppression coils + 72" continuous leads	○	○	-	●
E	M						Waterproof IP66/67 - Metal enclosure (EN/IEC 60079-7, -18 and -31)*	-	●	-	●
		E	T				Threaded conduit/hole (M20 x 1,5)	-	●	-	●
L	P	K	F				Flameproof - Aluminium (EN/IEC 60079-1, 60079-31)*	○	●	-	-
N	F						Flameproof - Aluminium (EN/IEC 60079-1, 60079-31)*	-	●	-	●
P	V						Encapsulated epoxy moulded (EN/IEC 60079-18)*	-	○	-	●
S	C						Solenoid with spade plug connector (EN/IEC 60730)	-	●	-	●
W	P						Waterproof IP67 - Metal enclosure	-	●	-	●
L	I						I.S. with Aluminium IP66/IP67 enclosure (EN/IEC 60079-11+31)*	○	-	-	-
W	S						Waterproof IP67 - 316 SS enclosure	-	●	-	-
W	S	L	P	K	F		Flameproof 316L SS (EN/IEC 60079-1, 60079-31)*	○	●	-	-
W	S	E	M				Waterproof IP66/67 - 316 SS enclosure (EN/IEC 60079-0+7+18+31)*	-	●	-	●
W	S			L	I		I.S. with 316L SS IP66/IP67 enclosure (EN/IEC 60079-11+31)*	○	-	-	-
W	S	N	F				Flameproof 316L SS (EN/IEC 60079-1, 60079-31)*	-	●	-	●
		T					Threaded conduit (1/2" NPT)	-	●	-	●
				H	T		Class H - High temperature, +80°C ambient temp.	-	-	-	●
						X	Other special constructions	-	●	-	●

Product selection guide

STEP 1

Select basic catalogue number, including pipe thread identification letter. Refer to the specifications table on page: 1 or 2

Example: G551A409

STEP 2

Select prefix (combination). Refer to the specifications table and the prefix table, respect the indicated power level.

Example: EM

STEP 3

Select suffix (combination) if required. Refer to the suffix table, respect the indicated power level. **Example: MO**

STEP 4

Select voltage. Refer to standard voltages on page: 4

Example: 230V / 50Hz

STEP 5

Final catalogue / ordering number.

Example:

EM G551A409MO 230 V / 50 Hz

Suffix table

suffix							description	power level			
1	2	3	4	5	6	7		ULP	LP	MP	BP
			M	O			Push type manual operator	○	○/●	-	●
	S	L					Certified IEC 61508 Functional Safety data ⁽¹⁾	○	○/●	-	●

Options & Accessories

series	pipe size	exhaust protector (stainless steel)		
		G	NPT	(M)
551-553	1/8	34600418 ⁽²⁾	34600482 ⁽²⁾	-
551	1/4	34600419 ⁽²⁾	34600483 ⁽²⁾	-
553	1/2	34600479 ⁽²⁾	34600479 ⁽²⁾	-
551	M5	-	-	34600484 ⁽²⁾

● Available feature ○ Available feature in DC only - Not available

* ATEX/IECEx valves using these solenoids are approved according to EN ISO 80079-36 (2016) and EN ISO 80079-37 (2016) [non electrical]

⁽¹⁾ Not to use with MO suffix

⁽²⁾ Provided with "SL" suffix

Ordering examples valves:

SC	G	553	A	409		230V / 50 Hz
SC	G	551	A	409	SL	230V / 50 Hz
SC	G	551	A	410	MO	230V / 50 Hz
SCHT	8	551	A	410	MO	230V / 50 Hz
LPKF	G	551	A	309	MO	24V / DC
WSLI	G	551	A	309		24V / DC
EF	G	551	H	409	MO	240V / 60 Hz

prefix —
pipe thread —
basic number —
voltage —
suffix —

**NAMUR - 3/2 NC - 5/2
SERIES
551 - 553**

Explanation of temperature ranges of solenoid valves

Valve temperature range The valve temperature range (TS) is determined by the selected seal material, the temperature range for proper operation of the valve and sometimes by the fluid (e.g. steam)

Operator ambient temperature range The operator ambient temperature range is determined by the selected power level and the safety code

Total temperature range The temperature range of the complete solenoid valve is determined by the limitations of both temperature ranges above

Electrical characteristics

Coil insulation class F

Electrical safety IEC 335

Standard voltages DC (=) 24V - 48V
AC (~) 24V - 48V - 115V - 230V⁽¹⁾/50Hz; other voltages and 60Hz are available on request

prefix option	power ratings				operator ambient temperature range (TS) (C°) ⁽²⁾	safety code	electrical enclosure protection (EN 60529)	replacement coil / kit		type ⁽³⁾
	inrush ~	holding ~	hot/cold =					~	=	
	(VA)	(VA) (W)	(W)	(W)				230 V/50 Hz	24V/DC	
Basic power (BP)										
SC	55	23	10,5	9/11,2	-40 to +75	EN 60730	IP65, moulded	400425-117	400425-142	01
WP/WS	55	23	10,5	9/11,2	-40 to +75	EN 60730	IP67, steel /SS	400405-117	400405-142	03
NF/WSNF	55	23	10,5	-	-60 to +25/40/60	II2G Ex db IIC Gb T6/T5/T4, II2D Ex tb IIIC Db	IP66/67, alu./SS	400405-117	-	02
NF/WSNF	-	-	-	9/11,2	-60 to +40/60/75	II2G Ex db IIC Gb T6/T5/T4, II2D Ex tb IIIC Db	IP66/67, alu./SS	-	400405-142	02
EM/WSEM	55	23	10,5	9/11,2	-40 to +40	II2G Ex eb mb IIC Gb T3, II2D Ex tb IIIC Db	IP66/67, steel /SS	400909-117	400913-142	03
PV	55	23	10,5	9/11,2	-40 to +65	II2G Ex mb IIC Gb T3(-)/T4(=), II2D Ex mb IIIC Db	IP67, moulded	- ⁽⁴⁾	- ⁽⁴⁾	04
EF	55	23	10,5	9/11,2	-40 to +52/40	NEMA type 7 and 9	NEMA 4X	-	-	05
EFHT	55	23	10,5	9/11,2	-40 to +52/40	NEMA type 7 and 9	NEMA 4X	-	-	05
JBEF	55	23	10,5	9/11,2	-40 to +52/40	NEMA type 7 and 9	NEMA 4X	-	-	11
JBEFHT	55	23	10,5	9/11,2	-40 to +52/40	NEMA type 7 and 9	NEMA 4X	-	-	11
EV	55	23	11,6	9/11,6	-40 to +52/40	NEMA type 7 and 9, ATEX II 2G Ex db mb IICT* Gb II 2D Ex mb tb IICT* Db IECEX Ex db mb IIC T* Gb Ex mb tb IICT* Db	NEMA 4X	-	-	05
EVHT	55	23	11,6	9/11,6	-40 to +52/40	NEMA type 7 and 9, ATEX II 2G Ex db mb IICT* Gb II 2D Ex mb tb IICT* Db IECEX Ex db mb IIC T* Gb Ex mb tb IICT* Db	NEMA 4X	-	-	05
EVMF	55	23	11,6	9/11,6	-40 to +52/40	NEMA type 7 and 9, ATEX II 2G Ex db mb IICT* Gb II 2D Ex mb tb IICT* Db IECEX Ex db mb IIC T* Gb Ex mb tb IICT* Db	NEMA 4X	-	-	05
Low Power (LP)										
SC	1,5	1,5	1,5	1,7/1,7	-40 to +60	EN 60730	IP65, moulded	400925-097	400925-042	06
WP/WS	1,5	1,5	1,5	1,7/1,7	-40 to +60	EN 60730	IP67, steel /SS	400926-097	400926-042	08
LPKF/WSLPKF	2,4	2,4	2,4	-	-40 to +40/65/80	II2G Ex db IIB+H2 Gb T6/T5/T4, II2D Ex tb IIIC Db	IP66/67, alu./SS	- ⁽⁴⁾	- ⁽⁴⁾	12
LPKF/WSLPKF	-	-	-	2,1 ⁽⁵⁾	-40 to +40/80	II2G Ex db IIB+H2 Gb T6/T4, II2D Ex tb IIIC Db	IP66/67, alu./SS	- ⁽⁴⁾	- ⁽⁴⁾	12
NF/WSNF	1,85	1,85	1,85	1,5/1,8	-60 to +75/80	II2G Ex db IIC Gb T6/T5, II2D Ex tb IIIC Db	IP66/67, alu./SS	- ⁽⁴⁾⁽¹⁾	- ⁽⁴⁾	07
EM/WSEM	1,5	1,5	1,5	1,7/1,7	-40 to +40/55	II2G Ex eb mb IIC Gb T6/T5, II2D Ex tb IIIC Db	IP66/67, steel /SS	- ⁽⁴⁾	- ⁽⁴⁾	08
PV	-	-	-	1,7/1,7	-40 to +65	II2G Ex mb IIC Gb T6, II2D Ex mb IIIC Db	IP67, moulded	-	- ⁽⁴⁾	09
EF	-	-	-	1,8/1,8	-40 to +60	NEMA type 7 and 9	NEMA 4X	-	-	10
EFHT	-	-	-	1,8/1,8	-40 to +60	NEMA type 7 and 9	NEMA 4X	-	-	10
JBEF	-	-	-	1,8/1,8	-40 to +60	NEMA type 7 and 9	NEMA 4X	-	-	11
JBEFHT	-	-	-	1,8/1,8	-40 to +60	NEMA type 7 and 9	NEMA 4X	-	-	11
EV	-	-	-	1,7/1,7	-40 to +60	NEMA type 7 and 9, ATEX II 2G Ex db mb IICT* Gb II 2D Ex mb tb IICT* Db IECEX Ex db mb IIC T* Gb Ex mb tb IICT* Db	NEMA 4X	-	-	10
EVHT	-	-	-	1,7/1,7	-40 to +60	NEMA type 7 and 9, ATEX II 2G Ex db mb IICT* Gb II 2D Ex mb tb IICT* Db IECEX Ex db mb IIC T* Gb Ex mb tb IICT* Db	NEMA 4X	-	-	10
EVMF	-	-	-	1,7/1,7	-40 to +60	NEMA type 7 and 9, ATEX II 2G Ex db mb IICT* Gb II 2D Ex mb tb IICT* Db IECEX Ex db mb IIC T* Gb Ex mb tb IICT* Db	NEMA 4X	-	-	10

80114CB-2019/R03

prefix option	power ratings			operator ambient temperature range (TS) (C°) ⁽²⁾	safety code	electrical enclosure protection (EN 60529)	replacement coil / kit		type ⁽³⁾	
	inrush	holding	hot/cold				~	=		
	~ (VA)	~ (VA) (W)	= (W)				230 V/50 Hz	24V/DC		
Ultra Low Power (ULP)										
LPKF/WSLPKF	-	-	-	0,5/0,5 ⁽⁵⁾	-40 to +60	II2G Ex db IIB+H2 Gb T6, II2D Ex tb IIIC Db	IP66/67, alu./SS	-	- ⁽⁴⁾	12
EF	-	-	-	0,55/0,7	-40 to +52/40	NEMA type 7 and 9	NEMA 4X	-	-	10
EFHT	-	-	-	0,55/0,7	-40 to +52/40	NEMA type 7 and 9	NEMA 4X	-	-	10
JBEF	-	-	-	0,55/0,7	-40 to +52/40	NEMA type 7 and 9	NEMA 4X	-	-	10
JBEFHT	-	-	-	0,55/0,7	-40 to +52/40	NEMA type 7 and 9	NEMA 4X	-	-	11
EV	-	-	-	0,55/0,7	-40 to +52/40	NEMA type 7 and 9, ATEX II2G Ex db mb IICT* Gb II2D Ex mb tb IICT* Db IECEX Ex db mb IICT* Gb Ex mb tb IICT* Db	NEMA 4X	-	-	10
EVHT	-	-	-	0,55/0,7	-40 to +52/40	NEMA type 7 and 9, ATEX II2G Ex db mb IICT* Gb II2D Ex mb tb IICT* Db IECEX Ex db mb IICT* Gb Ex mb tb IICT* Db	NEMA 4X	-	-	10
EVMF	-	-	-	0,55/0,7	-40 to +52/40	NEMA type 7 and 9, ATEX II2G Ex db mb IICT* Gb II2D Ex mb tb IICT* Db IECEX Ex db mb IICT* Gb Ex mb tb IICT* Db	NEMA 4X	-	-	10
LI ⁽⁶⁾⁽⁷⁾	-	-	-	0,5/0,5	-40 to +60	II1G Ex ia IIC T6 Ga, II2D Ex tb IIIC Db ⁽⁷⁾	IP66/67, alu.	-	- ⁽⁴⁾	13
WSLI ⁽⁶⁾⁽⁷⁾	-	-	-	0,5/0,5	-40 to +60	II1G Ex ia IIC T6 Ga, II2D Ex tb IIIC Db ⁽⁷⁾	IP66/67, SS	-	- ⁽⁴⁾	13

prefix option	safety parameters				
	U _i = (DC)	I _i	P _i	L _i	C _i
	(V)	(mA)	(W)	(H)	(μF)
Ultra Low Power (ULP)					
LI/WSLI	32	500	1,5	0	0

- ⁽¹⁾ (WS)NF: Low Power, 230 V AC does not exist. Maximum voltage in AC is 115 V
- ⁽²⁾ Temperature range can be limited by sealings
- ⁽³⁾ Refer to the dimensional drawings on pages: 6 to 9
- ⁽⁴⁾ Multiple coil kits are available under ATEX/IECEX, contact us
- ⁽⁵⁾ LPKF/WSLPKF: 24 V DC (0,5 W)
- ⁽⁶⁾ LI/WSLI: Check the electrical characteristics in the corresponding catalogue pages
- ⁽⁷⁾ LI/WSLI: Ultra Low Power, 24 V DC only (LI: **For use in zone 0 locations, see the installation conditions given in the I&M instructions**)
- Not available

Electrical connections

prefix	connection
SC	Spade plug connector with cable gland EN175301-803A (ISO 4400) for cables with an outer diameter from 6 to 10 mm
WP, WS, EM, WSEM	M20 plastics cable gland for cables with an outer diameter from 7 to 12 mm.
NF, WSNF, LPKF, WSLPKF	1/2" NPT threaded cable entry. Enclosures are supplied without cable gland
PV	Moulded-in cable, standard length 2 m
LI, WSLI	1/2" NPT threaded cable entry. Enclosures are supplied without cable gland
EF, EV	Conduit 1/2 NPT
JBEF	EF + Junction box

Additional options

- Valves configured for external pilot air supply, TPL 20547
- Other pipe threads are available on request
- Ex mb (prefix "PV") solenoid can be supplied with various cable lengths
- Set of stainless steel mounting screws (series 551), catalogue number: **97802212**
- Set of two G 1/8 exhaust reducers (series 551), catalogue number: **88100344**

**NAMUR - 3/2 NC - 5/2
SERIES
551 - 553**

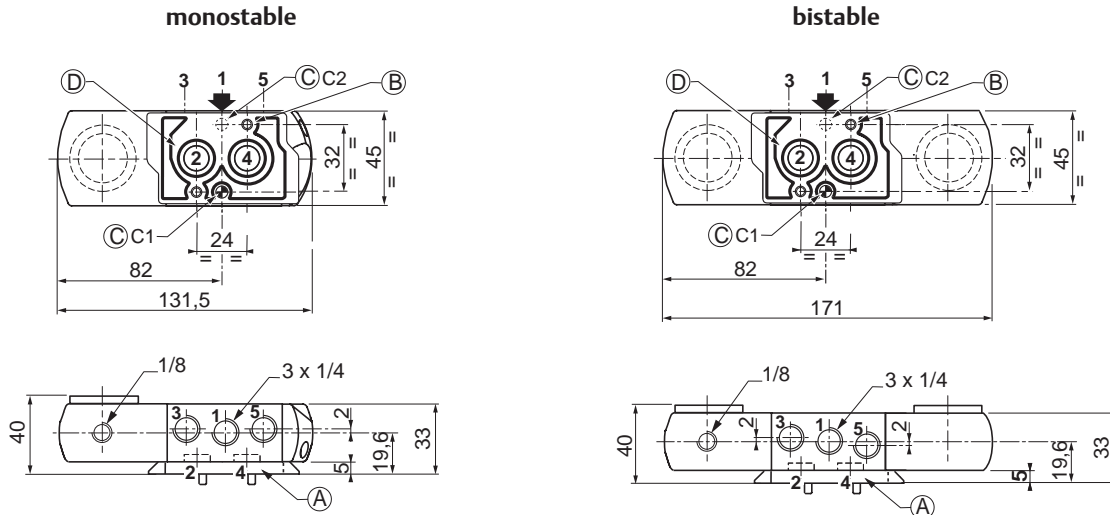
Installation

- Multi language installation/maintenance instructions are included with each valve
- The solenoid valves can be mounted in any position without affecting operation
- 3/2 NC-5/2 spool valve supplied with one or two interface plates with NAMUR mating surfaces. Depending on function (3/2 NC or 5/2), position the plate (series 551) or one of the two plates (series 553) on the spool valve body before installing on actuator
- Do not connect the pressure supply to the exhaust port 3. The “environmentally-protected” construction is not adapted for NO function. Contact us for function available in specific version
- Dowel pin (if necessary), bolts and gaskets are standard supplied
- IEC 61508 Functional Safety (suffix SL). Check temperature range of valve body and solenoid for suitability. For probability of failure, contact us
- It is necessary to connect pipes or fittings to the exhaust ports to protect the internal parts of the spool valve and its pneumatic operator if used outside or in harsh environments (dusts, liquids etc.)
- Threaded pipe connection identifier is 8 = NPT (ANSI 1.20.3); G = G (ISO 228/1)
- Ex db Prefix “NF/WSNF” enclosure is provided with a 1/2” NPT threaded entry hole, M20 x 1,5 (prefix “ET”) is optional. These are supplied without cable gland
- To comply with IEC 61508 (SIL) the valves must be provided with a specific exhaust protector (see following pages)

Dimensions (mm), Weight (kg)

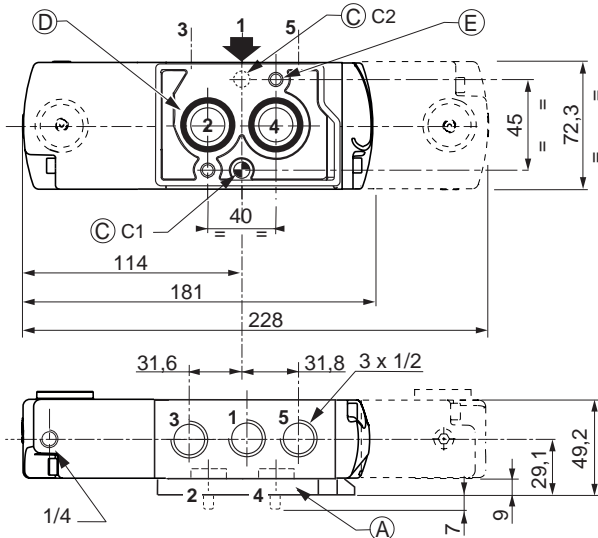


551 Series



553 Series

monostable/bistable



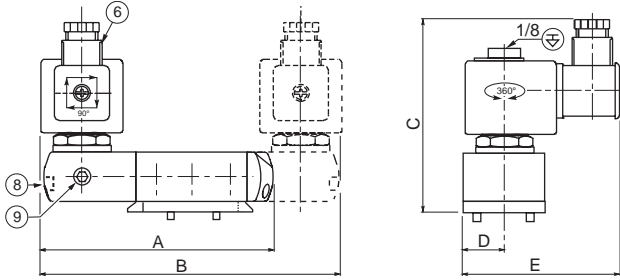
- (A) Interface plate
- (B) 2 mounting holes: 5,3 mm dia. (Spotfacing: 9 mm dia., depth 5 mm); 2 screws (CHc M5 x 35), engaged length: 7 mm
- (C) One 5 mm dia. hole for dowel pin:
- in position C1: 3/2 NC function plate
- in position C2: 5/2 function plate
- (D) 2 O-ring seals (supplied)
- (E) 2 mounting holes:
6,5 mm dia. (Spotfacing: 11 mm dia., depth 6 mm);
2 screws (CHc M6 x 50), engaged length: 7

Dimensions (mm), Weight (kg)



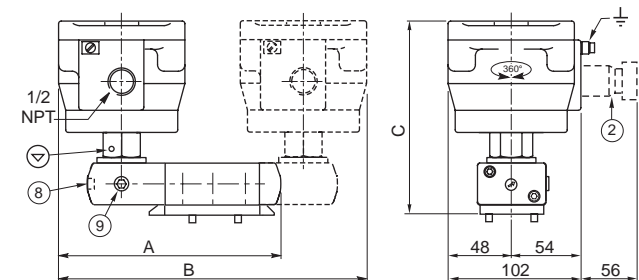
TYPE 01:
Epoxy moulded
SC: IEC 335 / ISO 4400

551A409 / 551A410 / 553A409 / 553A410



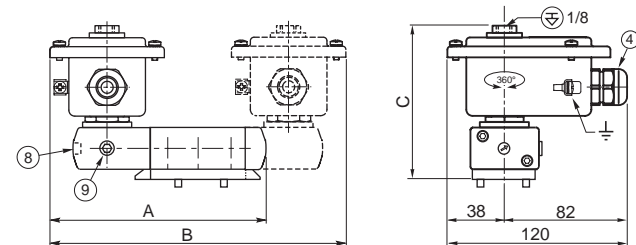
TYPE 02:
Aluminium, epoxy coated / AISI 316L SS
NF / WSNF: EN/IEC 60079-1, 60079-31

551A409 / 551A410 / 553A409 / 553A410



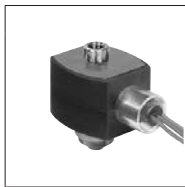
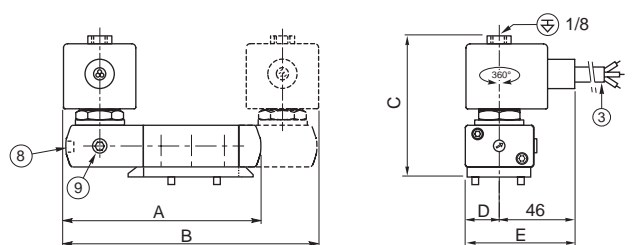
TYPE 03:
Metal, epoxy coated / AISI 316L SS
WP / WS: IEC 335
EM / WSEM: EN/IEC 60079-7+18+31

551A409 / 551A410 / 553A409 / 553A410



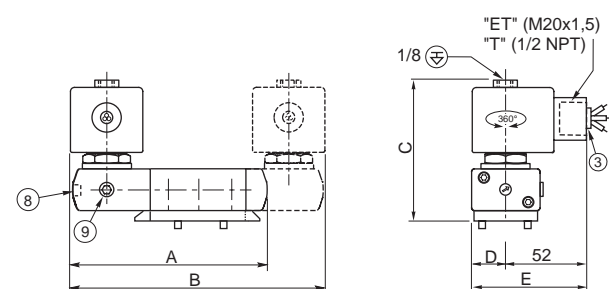
TYPE 04:
Epoxy encapsulated
PV: EN/IEC 60079-18

551A409 / 551A410 / 553A409 / 553A410



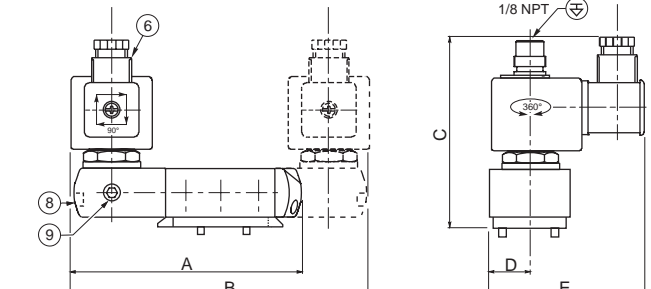
TYPE 05:
Epoxy encapsulated
EF and EV: NEMA type 7, 9 / ICS-6 ANSI

551H409 / 551H410 / 553H409 / 553H410



TYPE 06:
Epoxy moulded
SC: IEC 335 / ISO 4400

551A309 / 551A310 / 553A309 / 553A310



80114CB-2019/R03

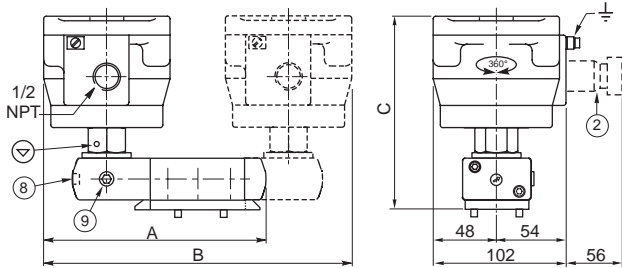
**NAMUR - 3/2 NC - 5/2
SERIES
551 - 553**

Dimensions (mm), Weight (kg)



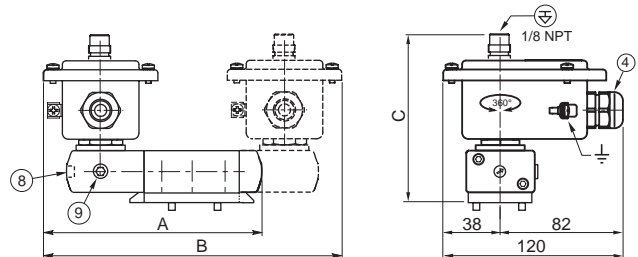
TYPE 07:
Aluminium, epoxy coated / AISI 316L SS
NF/WSNF: EN/IEC 60079-1, 60079-31

551A309 / 551A310 / 553A309 / 553A310



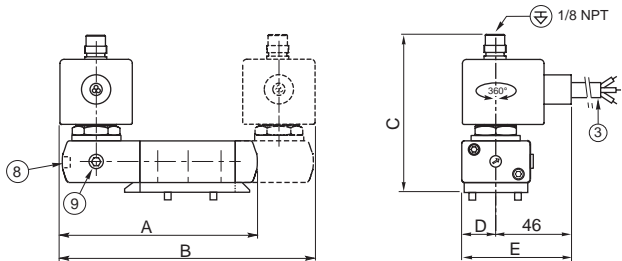
TYPE 08:
Metal, epoxy coated / AISI 316L SS
WP / WS: IEC 335
EM / WSEM: EN/IEC 60079-7+18+31

551A309 / 551A310 / 553A309 / 553A310



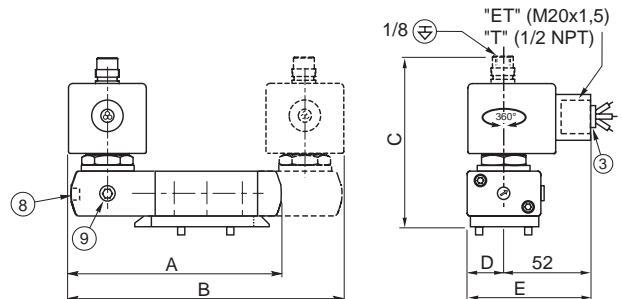
TYPE 09:
Epoxy encapsulated
PV: EN/IEC 60079-18

551A309 / 551A310 / 553A309 / 553A310



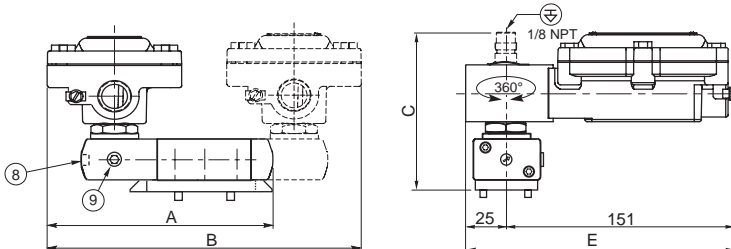
TYPE 10:
Epoxy encapsulated
EF and EV: NEMA type 7, 9 / ICS-6 ANSI

551G309/551H309/551G310/551H310/553G309/553H310/553G309/553H310



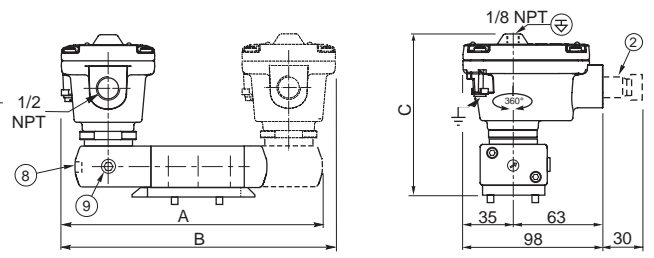
TYPE 11:
Epoxy encapsulated
JBEF: NEMA type 7, 9

551G309/551H309/551G310/551H310/553G309/553H310/553G309/553H310



TYPE 12:
Aluminium, cataphoresis black painting / AISI 316L SS
LPKF/WSLPKF: EN/IEC 60079-1, 60079-31

551A309 / 551A310 / 553A309 / 553A310



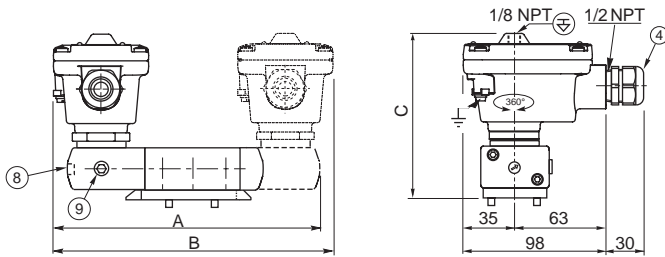
80114CB-2019/R03

Dimensions (mm), Weight (kg)



TYPE 13:
Aluminium, cataphoresis black painting / AISI 316L SS
LI / WSLI: EN/IEC 60079-11, 60079-31

551A309 / 551A310 / 553A309 / 553A310



type	prefix/option	power level	551					553					weight ⁽¹⁾			
			A	B	C	D	E	A	B	C	D	E	monostable		bistable	
			551	553	551	553	551	553	551	553	551	553	551	553		
01	SC	BP	132	172	108	22,5	87	181	229	117	36,15	101	1,54	1,69	2,30	4,51
02	NF	BP	159	225	148	-	-	209	282	157	-	-	2,69	4,8	4,40	6,61
02	WSNF	BP	159	225	148	-	-	209	282	157	-	-	3,99	6,1	7,00	9,21
03	WP/WS/EM/WSEM	BP	148	205	108	-	-	198	262	117	-	-	1,97	2,12	2,90	5,16
04	PV	BP	132	172	93	22,5	69	181	229	102	36,15	83	1,64	1,79	2,30	4,51
05	EF / EV	BP	132	172	90,5	22,5	75	181	229	100	36,15	89	1,64	1,79	2,30	4,51
06	SC	LP	132	172	107	22,5	88	181	229	116	36,15	102	1,54	1,69	2,30	4,51
07	NF	LP	158	225	148	-	-	209	282	157	-	-	2,69	4,8	4,40	6,61
07	WSNF	LP	158	225	148	-	-	209	282	157	-	-	3,99	6,1	7,00	9,21
08	WP / WS / EM / WSEM	LP	148	205	108	-	-	198	262	117	-	-	1,97	2,12	2,96	5,16
09	PV	LP	132	172	106	22,5	69	181	229	119	36,15	83	1,64	1,79	2,30	4,51
10	EF / EV	LP / ULP	132	172	106	22,5	75	181	229	119	36,15	89	1,64	1,79	2,30	4,51
11	JBEF	BP / LP / ULP	146,5	207	105,5	-	176	206,5	249	119	-	187,5	2,17	3,68	3,35	4,59
12	LPKF	LP / ULP	141	192	118	-	-	193	252	131,5	-	-	1,68	5,09	2,58	4,81
12	WSLPKF	LP / ULP	141	192	118	-	-	193	252	131,5	-	-	2,29	3,76	3,78	5,88
13	LI	ULP	141	192	118	-	-	193	252	131,5	-	-	1,69	5,10	2,59	4,82
13	WSLI	ULP	141	192	118	-	-	193	252	131,5	-	-	2,30	3,77	3,79	5,89

⁽¹⁾ Incl. coil(s) and connector(s).

- ② Ex d certified cable gland (on request)
- ③ Three-core cable, length 2 m
- ④ Cable gland for unarmoured cable with 7 to 12 mm dia. sheath
- ⑥ Connector rotatable by 90° increments (cable Ø 6 - 10 mm)
- ⑧ Manual operator location, suffix MO
- ⑨ External pilot air supply, 1/8 pipe size
- ⊕ Connectable pilot exhaust port
- ⊖ Non-connectable pilot exhaust port

Accessories

pilot exhaust protector
part number 276405-001

pilot top exhaust low power
(ASCO solenoid interface)

ØA	M5	1/8	1/4	1/2
B	4,5	10	11	14

exhaust protector
(stainless steel)

NAMUR - 3/2 NC - 5/2
SERIES
551 - 553

Availability, design and specifications are subject to change without notice. All rights reserved.
80114GB-2019/R03