

## FEATURES

- Valves for the control of gases on industrial atmospheric and forced draught burners
- All valves have been type tested to EN 161 and satisfy the Regulation (EU) 2016/426 on gas appliances  
Certificate of conformity Kiwa Nederland B.V.: No. 0063AR1726
- All valves are for class A group 2 service and cover gas family 1 and 2
- Aluminium bodied valves designed to provide maximum flow
- The valves are for the control of low pressure gases compatible with the materials used
- The solenoid valves have a resilient soft seating for tight shut-off

## GENERAL

**Differential pressure** 0 - 2 bar [1 bar = 100 kPa]  
**Response time** 25 - 120 ms

fluids (*)	temperature range (TS)	seal materials (*)
combustible gas	-15°C to +60°C	NBR (nitrile)

## MATERIALS IN CONTACT WITH FLUID

(\*) Ensure that the compatibility of the fluids in contact with the materials is verified

<b>Body</b>	Aluminium
<b>Core tube</b>	Stainless steel
<b>Core and plugnut</b>	Stainless steel
<b>Springs</b>	Stainless steel
<b>Seat</b>	Aluminium or stainless steel
<b>Seal, diaphragm and discs</b>	NBR
<b>Core guide</b>	POM
<b>Rider rings</b>	PTFE
<b>Shading coil</b>	Copper

## ELECTRICAL CHARACTERISTICS

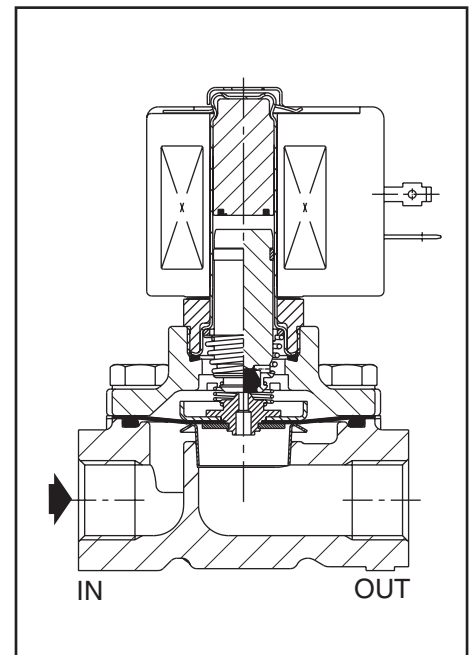
<b>Coil insulation class</b>	F
<b>Connector</b>	Spade plug (cable Ø 6-10 mm)
<b>Connector specification</b>	ISO 4400 / EN 175301-803, form A
<b>Electrical safety</b>	IEC 335
<b>Electrical enclosure protection</b>	Moulded IP65 (EN 60529)
<b>Standard voltages</b>	AC (~) : 24V - 48V - 115V - 230V / 50 Hz

prefix option	power ratings				operator ambient temperature range (TS) (C°)	replacement coil		type <sup>(1)</sup>
	inrush ~	holding ~		hot/cold =		~	=	
	(VA)	(VA)	(W)	(W)		230 V/50 Hz		
EGSC	55	23	10,5	-	-15 to +60	400425-117	-	01

<sup>(1)</sup> Refer to the dimensional drawings on the following page.

## SPECIFICATIONS

pipe size	orifice size	flow coefficient Kv		operating pressure differential (bar)				power coil (W)		catalogue number
				min.	max. (PS)		gas (*)			
					~	=				
Rp	(mm)	(m³/h)	(l/min)							~
<b>NC - Normally closed</b>										
3/8	19	2,9	48,3	0	2	-	10,5	-		<b>EGSCE215B010</b>
1/2	19	3,8	63,3	0	2	-	10,5	-		<b>EGSCE215B020</b>



### OPTIONS

- Mounting brackets, suffix MB
- Connector with visual indication and peak voltage suppression or with cable length of 2 m ([www.asco.com](http://www.asco.com))

### INSTALLATION

- The solenoid valves can be mounted in any position without affecting operation
- Pipe connection identifier is E = Rp (ISO 7/1)
- Installation/maintenance instructions are included with each valve

### SPARE PARTS KIT

catalogue number	spare parts kit no.		mounting bracket no.
	~	=	
EGSCE215B010	<b>C131447</b>	-	<b>038713-000</b>
EGSCE215B020	<b>C131447</b>	-	<b>038713-000</b>

- Not available.

### ORDERING EXAMPLES:

EGSC	E	215	B	010	230V / 50 Hz
EGSC	E	215	B	020	115V / 50 Hz


prefix — pipe thread — basic number — voltage — suffix

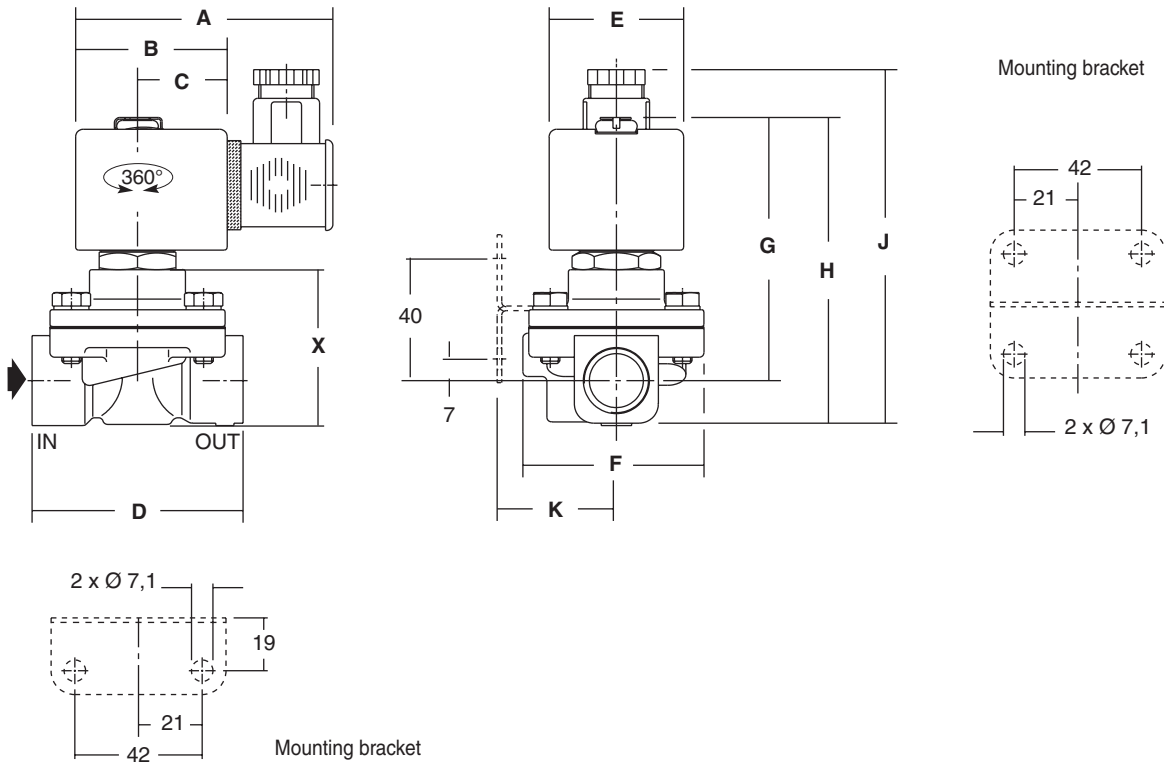
### ORDERING EXAMPLES KITS:

C131447
---------

basic number —

### DIMENSIONS (mm), WEIGHT (kg)


**TYPE 01**  
 Prefix "EGSC" Solenoid  
 Epoxy moulded  
 IEC 335 / ISO 4400  
 IP65



type	prefix option	A	B	C	D	E	F	G	H	J	K	X	weight <sup>(1)</sup>
01	EGSC	85	50	30	70	45	60	85	100	117	41	50	0,6

<sup>(1)</sup> including coil and connector.