

# ASCO™ Solenoid Valves

For Gaseous Fluids

Pilot Operated, Hung Diaphragm, 3/8" to 3" Thread

2/2  
Series  
**215**

## Features & Benefits

- The valves are for the control of low pressure air and gases, compatible with the seal materials used
- Aluminium bodied valves designed to provide maximum flow
- The valve have a resilient soft seating for tight shut-off
- Valves do not require a minimum operating pressure
- All products are covered by Pressure Equipment Directive 2014/68/EU and are suitable for group 1 and 2 fluids
- The solenoid valves satisfy all relevant EU directives

## General

Differential pressure

See «SPECIFICATIONS» [1 bar = 100 kPa]

Response time

25 - 120 ms

fluids (*)	temperature range (TS)	seal materials (*)
air, fuel gas NC: inert gas	-20°C to +85°C	NBR (nitrile)

## Materials in contact with fluid

(\*) Ensure that the compatibility of the fluids in contact with the materials is verified

Body	Aluminium
Core tube	Stainless steel
Core and plugnut	Stainless steel
Springs	Stainless steel
Seat	Aluminium or stainless steel
Seals, diaphragms & discs	NBR
Core guide	POM
Disc holder (NO function)	PA
Rider rings	PTFE
Shading coil	Copper

## Electrical characteristics

Coil insulation class

F

Connector

Spade plug (cable Ø 6-10 mm) or cable leads, 0.35 m length (EF)

Connector specification

ISO 4400 / EN 175301-803, form A

Electrical safety

IEC 335

Electrical enclosure protection

Moulded IP65 (EN 60529) or NEMA 3, 7, 9 (EF)

Standard voltages

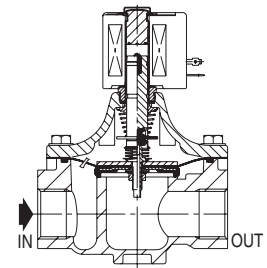
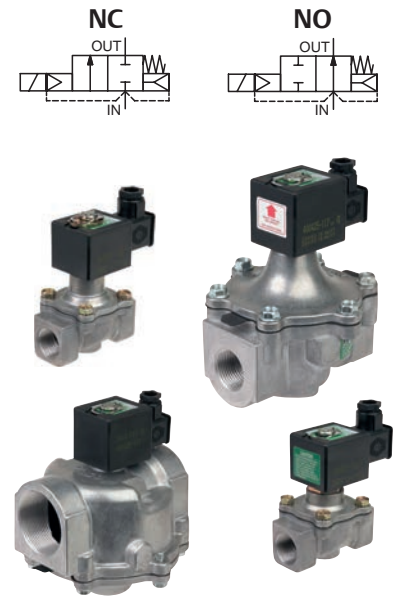
DC (=): 24V - 48V

(Other voltages and 60 Hz on request)

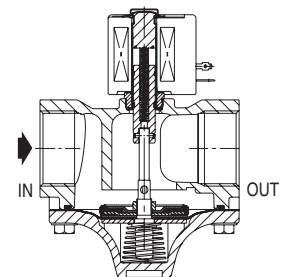
AC (~): 24V - 48V - 115V - 230V / 50 Hz

prefix option	power ratings				operator ambient temperature range (TS) (C°)	replacement coil		type <sup>(1)</sup>
	inrush ~		holding ~			230 V/50 Hz	24 V DC	
	(VA)	(W)	(VA)	(W)				
SC	55	23	10.5	9/ 11.2	-20 to +75	400425-117	400425-142	01
	110	33.6	15.4	-	-20 to +75	400525-117	-	02
EF	385	50	28.2	11/14.9	-20 to +75	206409-035D	062691-002D	03

<sup>(1)</sup> Refer to the dimensional drawings on the following page.



NC function



NO function

00045CB-2020/R01 Availability, design and specifications are subject to change without notice. All rights reserved.

**Specifications**

pipe size	orifice size	flow coefficient Kv		operating pressure differential (bar)				power coil (W)		Catalog number		options			
				min.	max. (PS)		FPM					CR			
					air (*)	fuel gas (*)									
Rp	(mm)	(m³/h)	(l/min)		~	=	~	=	~	=					
<b>NC - Normally closed</b>															
3/8	19	2.9	48.3	0	3.5	1.8	3.5	1.8	10.5	11.2	SCE215C010 <sup>(1)</sup>	SCE215C010 <sup>(1)</sup>	V	J	-
1/2	19	3.8	63.3	0	3.5	1.8	3.5	1.8	10.5	11.2	SCE215C020 <sup>(1)</sup>	SCE215C020 <sup>(1)</sup>	V	J	-
3/4	19	4.4	73.3	0	3.5	1.8	3.5	1.8	10.5	11.2	SCE215C030 <sup>(1)</sup>	SCE215C030 <sup>(1)</sup>	V	J	-
1	41	18	300	0	1.8	1.8	1.8	1.8	15.4	14.9	SCE215B050	EFE215B050 <sup>(2)</sup>	V	J	-
1 1/4	41	27	450	0	1.8	1.8	1.8	1.8	15.4	14.9	SCE215B060	EFE215B060 <sup>(2)</sup>	V	J	-
1 1/2	41	30	500	0	1.8	1	1.8	1	15.4	14.9	SCE215B070	EFE215B070 <sup>(2)</sup>	V	J	-
2	53	50	833	0	1.8	1	1.8	1	15.4	14.9	SCE215B080	EFE215B080 <sup>(2)</sup>	V	J	-
2 1/2	76	100	1667	0	0.35	-	0.35	-	28.2	-	EFE215A090 <sup>(2)</sup>	-	V	J	-
3	76	118	1967	0	0.35	-	0.35	-	28.2	-	EFE215A040 <sup>(2)</sup>	-	V	J	-
<b>NO - Normally open</b>															
3/8	19	2.7	45	0	9	9	9	9	10.5	11.2	SCE215A013	SCE215A013	V	J	-
1/2	19	3.4	56.7	0	9	9	9	9	10.5	11.2	SCE215A023	SCE215A023	V	J	-
3/4	19	3.9	65	0	9	9	9	9	10.5	11.2	SCE215A033	SCE215A033	V	J	-
1	41	18	300	0	1.8	1	1.8	1	15.4	14.9	SCE215C053	EFE215C053 <sup>(3)</sup>	V	J	-
1 1/4	41	28	450	0	1.8	1	1.8	1	15.4	14.9	SCE215C063	EFE215C063 <sup>(3)</sup>	V	J	-
1 1/2	41	31	500	0	1.8	1	1.8	1	15.4	14.9	SCE215C073	EFE215C073 <sup>(3)</sup>	V	J	-
2	53	50	833	0	1.8	1	1.8	1	15.4	14.9	SCE215C083 <sup>(2)</sup>	-	V	-	-
2 1/2	76	100	1667	0	0.35	-	0.35	-	28.2	-	EFE215B093 <sup>(2)</sup>	-	V	-	-

<sup>(1)</sup> Valves have stainless steel seat.

<sup>(2)</sup> Mounting position: piping horizontal, solenoid upright.

<sup>(3)</sup> Lead connection coil on DC.

**Options**

- Valves can also be supplied with FPM (fluoroelastomer) and CR (chloroprene) diaphragms, seals and discs. Use the appropriate optional suffix letter for identification
- Waterproof enclosure with embedded screw terminal coil according to protection class IP67, CEE-10
- Explosionproof enclosures for use in zones 1/21-2/22, categories 2-3 to ATEX Directive 2014/34/EU
- Electrical enclosures according to "NEMA" standards are available
- Compliance with "UL", "CSA" and other local approvals available on request
- Mounting brackets (3/8, 1/2 and 3/4 only), suffix MB
- Other pipe connections are available on request
- Connector with visual indication and peak voltage suppression or with cable length of 2 m

**Installation**

- The solenoid valves can be mounted in any position without affecting operation, unless indicated otherwise in the specifications table.
- Pipe connection identifier is E = Rp (ISO 7/1)
- Installation/maintenance instructions are included with each valve

**Spare parts kit & Accessories**

catalogue number	spare parts kit no.		mounting bracket no.
	~	=	
SCE215C010/C020/C030	C302350	C302430	038713-000
SCE215B050/B060/B070	C302352	-	-
EFE215B050/B060/B070	-	C302432	-
SCE215B080	C302353	-	-
EFE215B080	-	C302433	-
EFE215A090/A040	C302354	-	-
SCE215A013/A023/A033	C302361	C302439	038713-000
SCE215C053/C063/C073	C304691	-	-
EFE215C053/C063/C073	-	C304699	-
SCE215C083	C304692	-	-
EFE215B093	C302365	-	-

<sup>(4)</sup> Standard prefixes/suffixes are also applicable to kits.

- Not available

**Ordering examples:**

SC	E	215	C 010	230V / 50 Hz
SC	E	215	C 020	MB 115V / 50 Hz
EF	E	215	A 090	V 230V / 50 Hz
EF	E	215	B 070	24V / DC

prefix — pipe thread — basic number — voltage — suffix

**Ordering examples kits:**

C302350 <sup>(4)</sup>	
C302352	V
C302432	J

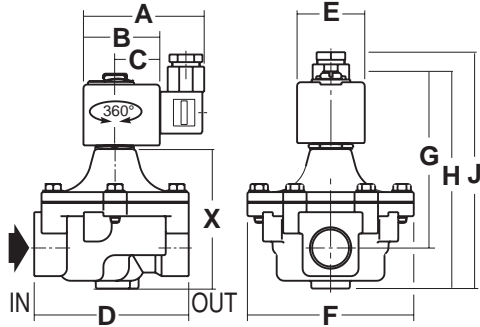
basic number — suffix

## Dimensions (mm), Weight (kg)

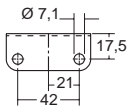
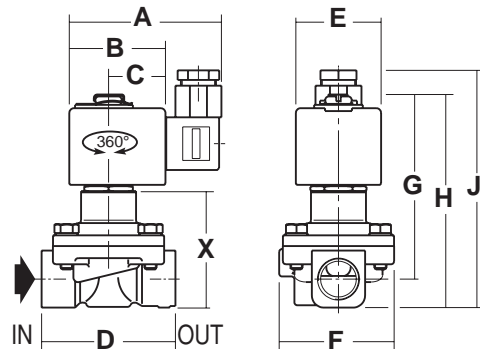


**TYPE 01**  
Prefix "SC" Solenoid  
Epoxy moulded  
IEC 335 / ISO 4400  
IP65

SCE215C010/C020/C030



SCE215A013/A023/A033



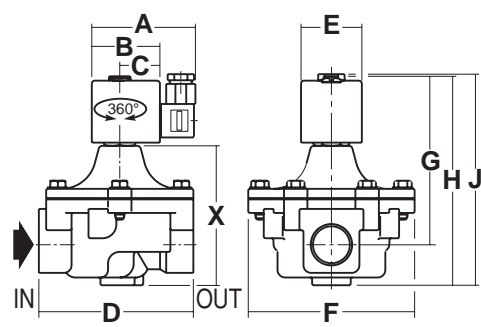
Mounting brackets  
for valves:

- SCE215C010
- SCE215C020
- SCE215C030
- SCE215A013
- SCE215A023
- SCE215A033

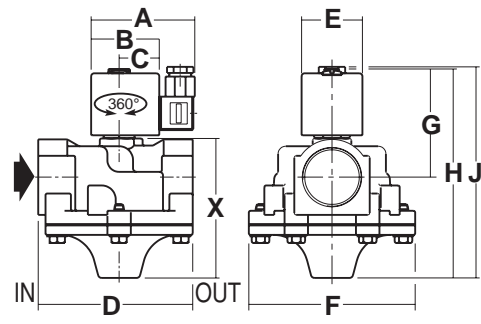


**TYPE 02**  
Prefix "SC" Solenoid  
Epoxy moulded  
IEC 335 / ISO 4400  
IP65

AC: SCE215B050/B060/B070/B080



AC: SCE215C053/C063/C073/C083



type	prefix option	Catalog number	A	B	C	D	E	F	G	H	J	X	weight <sup>(1)</sup>
01	SC	SCE215C010/C020	80	50	30	70	45	60	88	102	119	53	0.6
		SCE215C030	80	50	30	84	45	60	93	113	130	59	0.7
		SCE215A013/A023	80	50	30	70	45	60	99	114	131	65	0.5
		SCE215A033	80	50	30	84	45	60	104	125	142	68	0.7
02	SC	SCE215B050/B060/B070	86	56	33	127	50	137	140	171	172	121	1.8
		SCE215B080	86	56	33	155	50	160	149	188	188	139	2.1
		SCE215C053/C063/C073	86	56	33	127	50	137	90	172	172	123	1.5
		SCE215C083	86	56	33	155	50	160	95	187	187	132	2.3

<sup>(1)</sup> Incl. coil(s) and connector(s)

00045CB-2020/R01  
Availability, design and specifications are subject to change without notice. All rights reserved.

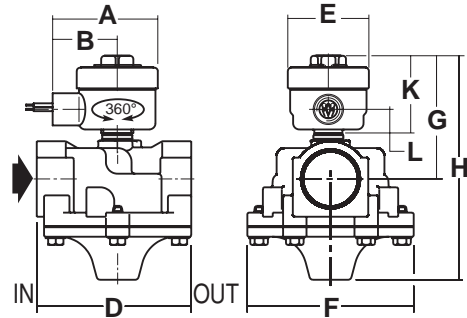
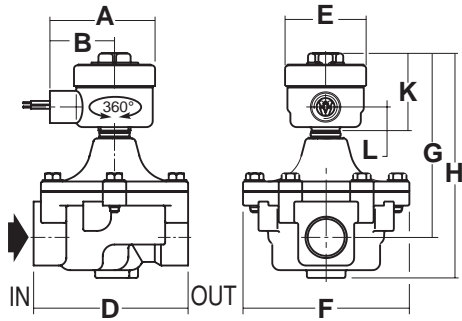
**Dimensions (mm), Weight (kg)**



**TYPE 03**  
Prefix "EF" Solenoid  
Epoxy encapsulated  
ICS-6 ANSI  
NEMA type 3-7-9

DC: EFE215B050/060/070/080  
EFE215A090/A040

DC: EFE215C053/063/073  
EFE215B093



type	prefix option	Catalog number	A	B	D	E	F	G	H	K	L	weight <sup>(1)</sup>
03	EF	EFE215B050/B060/B070	83	64	127	64	137	161	193	78	19	2.3
		EFE215B080	83	64	155	64	160	170	208	78	19	2.9
		EFE215C053/C063/C073	83	64	127	64	137	112	193	78	19	2.3
		EFE215A090/A040	83	64	198	64	202	194	253	78	19	5.0
		EFE215B093	83	64	198	64	202	125	255	78	19	5.0

<sup>(1)</sup> Incl. coil(s) and connector(s)