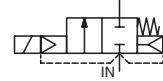




SOLENOID VALVES

anti-waterhammer
pilot operated, hung diaphragm
3/8 to 1

NC



2/2
Series
238

FEATURES

- Two way shut-off valves for the control of cold and hot water
- Zero bar minimum operating pressure
- Valves are designed to reduce waterhammer
- Self-cleaning device located in the bleed orifice to guarantee an optimal performance
- The solenoid valves satisfy all relevant EU directives

GENERAL

Differential pressure 0 to 10 bar [1 bar = 100 kPa]
Maximum viscosity 40 cSt (mm²/s)

fluids (*)	temperature range (TS)	seal materials (*)
water	-20°C to +85°C	NBR (nitrile)

CONSTRUCTION

Anti-waterhammer test EN 60730-2-8 (CENELEC)
 FCI-82-1 (Fluid Controls Institute)

MATERIALS IN CONTACT WITH FLUID

(*) Ensure that the compatibility of the fluids in contact with the materials is verified

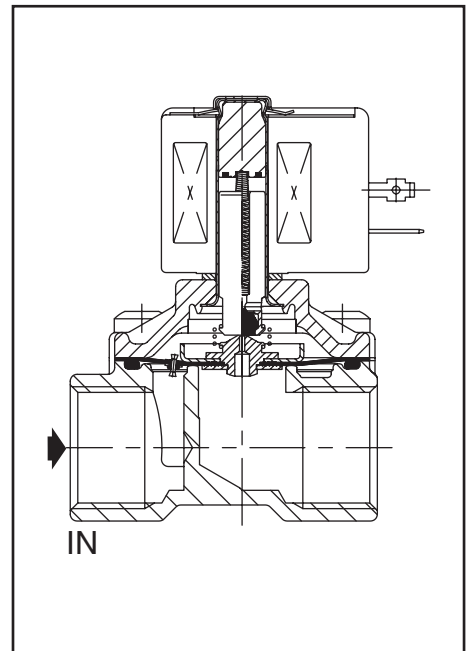
Body Brass
Internal parts Stainless steel
Springs Stainless steel
Seals, diaphragm and disc NBR
Shading coil Copper

ELECTRICAL CHARACTERISTICS

Coil insulation class F
Connector Spade plug (cable Ø 6-10 mm)
Connector specification ISO 4400 / EN 175301-803, form A
Electrical safety IEC 335
Electrical enclosure protection Moulded IP65 (EN 60529)
Standard voltages DC (=) : 24V - 48V
 (Other voltages and 60 Hz on request) AC (~) : 24V - 48V - 115V - 230V / 50 Hz

prefix option	power ratings				operator ambient temperature range (TS) (C°)	replacement coil		type ⁽¹⁾
	inrush ~	holding ~	hot/cold =			~	=	
	(VA)	(VA)	(W)	(W)				
SC	34 30	15,6 22,5	6 9	- 9,5/15,3	-20 to +75 -20 to +50	230 V/50 Hz 400325-117	- 400325-217	400325-242 01

⁽¹⁾ Refer to the dimensional drawings on the following page.



SPECIFICATIONS

pipe size	orifice size	flow coefficient Kv		operating pressure differential (bar)				power coil (W)		catalogue number	options		
				min.	max. (PS)		water (*)				EPDM		
					~	=							
G	(mm)	(m ³ /h)	(l/min)										
NC - Normally closed													
3/8	12,5	2,1	35	0	10	10	6	15,3	SCG238A044	E	-	-	
1/2	12,5	2,1	35	0	10	10	6	15,3	SCG238A046	E	-	-	
1/2	19	4,2	70	0	10	10	6	15,3	SCG238A047	E	-	-	
3/4	19	4,5	75	0	10	10	6	15,3	SCG238A048	E	-	-	
3/4	25	10	166	0	10	10	9	15,3	SCG238A049	-	-	-	
1	25	10	166	0	10	10	9	15,3	SCG238A050	-	-	-	

00039GB-2016/R01
Availability, design and specifications are subject to change without notice. All rights reserved.

All leaflets are available on: www.asco.com



青岛秉诚自动化设备有限公司
 地址：中国·青岛市重庆南路99号海尔云街甲3号楼7F

服务热线：4006-918-365
 网址：http://www.ivalve.com

传真：(86-532)585-10-365
 Email：sales@bechinas.com

V311-1

OPTIONS

- Valves can also be supplied with EPDM (ethylene-propylene) seals and discs. Use the appropriate optional suffix letter for identification
- Explosionproof enclosures for use in zones 1/21-2/22, categories 2-3 to ATEX Directive 2014/34/EU (see "Explosionproof solenoids" section)
- WRAS approval
- Other pipe connections are available on request
- Plug with visual indication and peak voltage suppression or with cable length of 2 m (see Solenoids, Coils & Accessories section)

INSTALLATION

- The solenoid valves can be mounted in any position without affecting operation
- Threaded pipe connection is standard: G = G (ISO 228/1)
- Installation/maintenance instructions are included with each valve

SPARE PARTS KIT

catalogue number	spare parts kit no.	
	~	=
SCG238A044/046	C132486	C132487
SCG238A045/047/048	C132488	C132489
SCG238A049/050	C132490	C132491

ORDERING EXAMPLES:

SC	G	238	A	044	230V / 50 Hz	
SC	G	238	A	046	E	115V / 50 Hz
SC	G	238	A	049		24V / DC
SC	G	238	A	050		48V / 50 Hz

prefix: SC
 pipe thread: G
 basic number: 238 A
 voltage: 230V / 50 Hz, 115V / 50 Hz, 24V / DC, 48V / 50 Hz
 suffix: E

ORDERING EXAMPLES KITS:

C132486 ⁽¹⁾	E
C132489	
C132490	

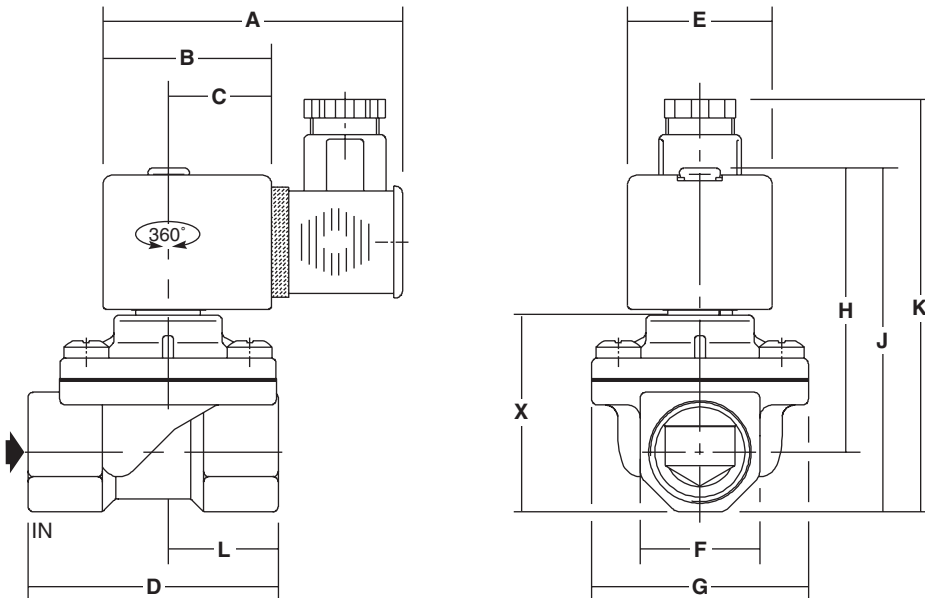
basic number: C132486, C132489, C132490
 suffix: E

DIMENSIONS (mm), WEIGHT (kg)



TYPE 01

Prefix "SC" Solenoid
Epoxy moulded
IEC 335 / ISO 4400
IP65



type	prefix option	catalogue number	A	B	C	D	E	F	G	H	J	K	L	X	weight ⁽¹⁾
01	SC	SCG238A044	80	45	27,5	52	39	27	37	72	85	104	23	40	0,55
		SCG238A046	80	45	27,5	52	39	27	37	72	85	104	23	40	0,50
		SCG238A047	80	45	27,5	65	39	27	58	74	87	106	29,5	42	0,75
		SCG238A048	80	45	27,5	67	39	32	58	76	92	111	29,5	47	0,70
		SCG238A049	80	45	27,5	86	39	41	73	92	112	131	37	67	1,30
		SCG238A050	80	45	27,5	86	39	41	73	92	112	131	37	67	1,20

⁽¹⁾ Incl. coil(s) and connector(s).

All leaflets are available on: www.asco.com