

### FEATURES

- Hung piston construction
- Reliable control in low pressure, high flow systems
- Valves do not require a minimum operating pressure
- The valves are constructed packless with a one-piece deepdrawn stainless steel core tube ensuring safe separation of electrical and wetted moving parts
- The valves have forged brass bodies, compact design, to minimize heat radiation loss
- The solenoid valves satisfy all relevant EC directives

### GENERAL

Differential pressure 0 - 9 bar [1 bar = 100 kPa]  
Response times 75 - 100 ms

fluids (*)	temperature range (TS)	disc (*)
hot water and steam	-20 to +184°C	PTFE

### MATERIALS IN CONTACT WITH FLUID

(\*) Ensure that the compatibility of the fluids in contact with the materials is verified

Body	Brass
Core tube	Stainless steel
Core and plugnut	Stainless steel
Springs	Stainless steel
Piston	Brass
Seat	Brass
Seal	EPDM (ethylene propylene)
Piston rings	PTFE carbon filled
Discs	PTFE
Shading coil	Copper

### ELECTRICAL CHARACTERISTICS

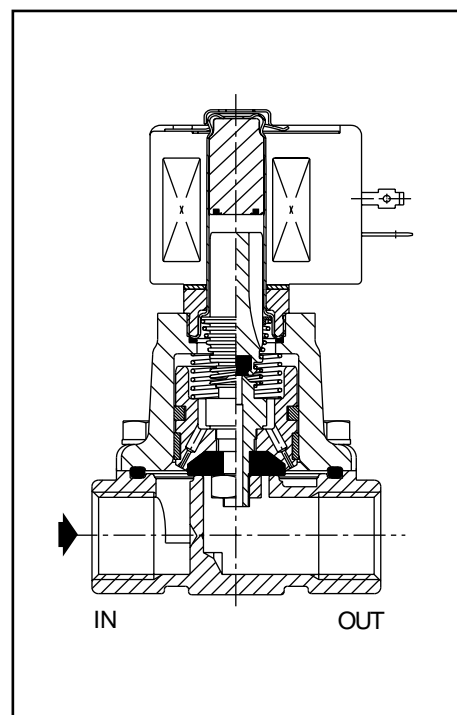
Coil insulation class	H
Connector	Spade plug (cable Ø 6-10 mm)
Connector specification	ISO 4400 / EN 175301-803, form A
Electrical safety	IEC 335
Standard voltages	DC (=): not available
(Other voltages and 60 Hz on request)	AC (~): 24V - 115V - 230V / 50 Hz

coil type	power ratings				ambient temperature range (TS) (°C)	protection
	inrush		holding			
	~ (VA)	= (VA)	~ (W)	= (W)		
CMXX-HB	78,0	35,0	16,7	-	-20 to +40	moulded IP65

### SPECIFICATIONS

pipe size	orifice size (mm)	flow coefficient Kv (m³/h) (l/min)		operating pressure differential (bar)			max. fluid temp. (°C)	coil type	catalogue number
				min.	maximum (PS)				
					steam (*)	water (1)(*)			
3/8	16	2,4	40,0	0	9	9	184	CMXX-HB	SC E222D001
1/2	16	3,3	55,0	0	9	9	184	CMXX-HB	SC E222D002
3/4	19	5,1	85,0	0	9	9	184	CMXX-HB	SC E222E003

(1) Water temperature should not exceed 100°C



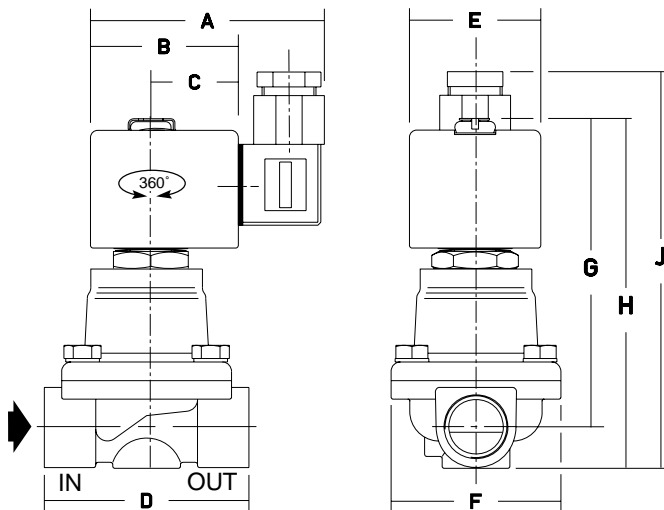
### OPTIONS

- Watertight enclosure with embedded screw terminal coil and Pg13,5 cable gland to meet CEE-10 (IP67)
- Solenoid head "CSA" approved. Coils according to "CSA/SA" standards
- Compliance with "UL" and "CSA" standards
- Mounting brackets

### INSTALLATION

- The solenoid valves must be mounted **vertical and in an upright position**
- Pipe thread identifier is: E = Rp (ISO 7/1)
- The first digit in the catalogue number indicates the standard pipe connection
- Other pipe threads available on request
- Installation/maintenance instructions are included with each valve
- Spare Parts Kit and replacement coils are available

### DIMENSIONS (mm), WEIGHT (kg)



catalogue number SCE222	A	B	C	D	E	F	G	H	J	weight (1)
D001 - D002	80	50	30	70	45	59	104	118	131	1,3
E003	80	50	30	70	45	59	108	124	137	2,0

(1) incl. coil and connector

All leaflets are available on: [www.ascojouiomatic.com](http://www.ascojouiomatic.com)