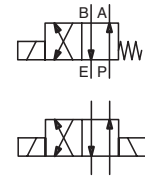




SOLENOID VALVES

direct operated, slide disc
single/dual solenoid (mono/bistable function)
1/4 - 3/8



4/2
Series
342

FEATURES

- Brass bodied 4/2 slide disc valves, single or dual solenoid, ideally suited to control double acting cylinders
- Solenoid valves with integrated pilot and slide disc mechanism
- Direct lift solenoid valves have spring loaded sliding resilient for absolute tight shut-off
- The solenoid valves satisfy all relevant EU directives

GENERAL

Differential pressure See «SPECIFICATIONS» [1 bar = 100 kPa]
Maximum viscosity 65 cSt (mm²/s)
Response time 20 - 40 ms

fluids (*)	temperature range (TS)	seal materials (*)
air, inert gas, water, oil	-20°C to +70°C	NBR (nitrile)

MATERIALS IN CONTACT WITH FLUID

(*) Ensure that the compatibility of the fluids in contact with the materials is verified

Body	Brass
Core tube	Stainless steel
Core and plugnut	Stainless steel
Core spring	Stainless steel
Seat	PTFE - reinforced
Seals	NBR
Discs	NBR
Slide	PA
Slide cups	FPM
Shading coil	Copper

ELECTRICAL CHARACTERISTICS

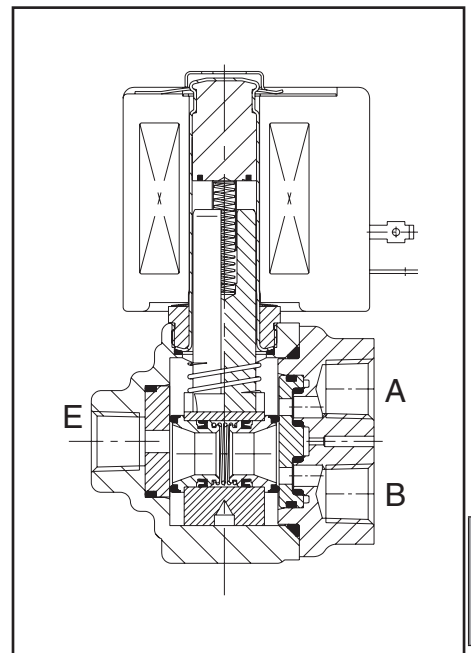
Coil insulation class F
Connector Spade plug (cable Ø 6-10 mm)
Connector specification ISO 4400 / EN 175301-803, form A
Electrical safety IEC 335
Electrical enclosure protection Moulded IP65 (EN 60529)
Standard voltages AC (~) : 24V - 48V - 115V - 230V / 50 Hz
 (Other voltages and 60 Hz on request)

prefix option	power ratings				operator ambient temperature range (TS) (C°)	replacement coil		type ⁽¹⁾
	inrush ~	holding ~		hot/cold =		~	=	
		(VA)	(VA)					
SC	110	33,6	15,4	-	-20 to +75	230 V/50 Hz	-	01
	240	43	20	-	-20 to +50	400525-117	-	

⁽¹⁾ Refer to the dimensional drawings on the following page.

SPECIFICATIONS

pipe size	orifice size	flow coefficient Kv		operating pressure differential (bar)						power coil (W)		catalogue number	options				
				min.	max. (PS)								maintained	man. operator	FPM		
					air (*)	water (*)	oil (*)	~	=							~	=
NPT	(mm)	(m ³ /h)	(l/min)	~	=	~	=	~	=	~	=	~	~	~	~	~	~
Solenoid pilot operated - spring return (monostable)																	
1/4	4,8	0,6	9,9	0	9	-	7	-	7	-	20	-	SCB342C001	MS	V	-	-
3/8	4,8	0,6	9,9	0	9	-	7	-	7	-	20	-	SCB342C003	MS	-	-	-
Solenoid pilot operated and return (bistable)																	
1/4	4,8	0,05	0,8	0	9	-	9	-	9	-	15,4	-	SCB342C020	-	V	-	-
3/8	4,8	0,18	3	0	9	-	9	-	9	-	15,4	-	SCB342C022	-	-	-	-



G

00091GB-2016/R01
Availability, design and specifications are subject to change without notice. All rights reserved.

All leaflets are available on: www.asco.com



青岛秉诚自动化设备有限公司
地址：中国·青岛市重庆南路99号海尔云街甲3号楼7F

服务热线：4006-918-365
网址：http://www.ivalve.com

传真：(86-532)585-10-365
Email：sales@bechinas.com

V803-1

OPTIONS

- Valves can also be supplied with FPM (fluoroelastomer) seals and discs. Use the appropriate optional suffix letter for identification
- Waterproof enclosure with embedded screw terminal coil according to protection class IP67, CEE-10
- Explosionproof enclosures for use in zones 1/21-2/22, categories 2-3 to ATEX Directive 2014/34/EU (see "Explosionproof solenoids" section)
- Electrical enclosures according to "NEMA" standards are available
- Compliance with "UL", "CSA" and other local approvals available on request
- Adjustable flow controls
- Other pipe connections are available on request
- Plug with visual indication and peak voltage suppression or with cable length of 2 m (see Solenoids, Coils & Accessories section)

INSTALLATION

- The solenoid valves can be mounted in any position without affecting operation
- Solenoid valves have 2 mounting holes in body
- Pipe connection identifier is B = NPT (ANSI 1.20.3)
- Installation/maintenance instructions are included with each valve

SPARE PARTS KIT

catalogue number	spare parts kit no.	
	~	=
SCB342C001/003	C306191	-
SCB342C020/022	C306193	-

⁽¹⁾ Standard prefixes/suffixes are also applicable to kits.
 - Not available

ORDERING EXAMPLES:

SC	B	342	C	001	230V / 50 Hz
SC	B	342	C	003	MS 115V / 50 Hz
SC	B	342	C	020	V 48V / 50 Hz
SC	B	342	C	022	230V / 50 Hz

Diagram labels: prefix (SC), pipe thread (B), basic number (342), voltage (230V / 50 Hz), suffix (C001, C003, C020, C022).

ORDERING EXAMPLES KITS:

C306191 ⁽¹⁾	
C306193	V
C306193	

Diagram labels: basic number (C306193), suffix (V).

DIMENSIONS (mm), WEIGHT (kg)

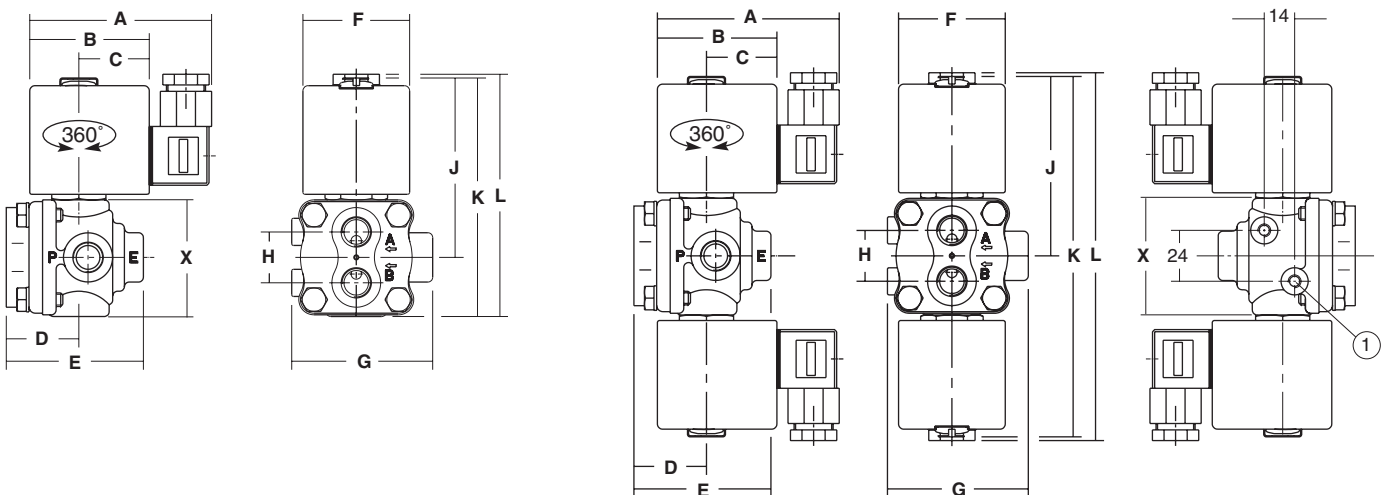


TYPE 01

Prefix "SC" Solenoid
 Epoxy moulded
 IEC 335 / ISO 4400
 IP65

SCB342C001/003

SCB342C020/022



type	prefix option	catalogue number	A	B	C	D	E	F	G	H	J	K	L	X	weight ⁽²⁾
01	SC	SCB342C001/003	86	56	33	30	64	50	66	24	84	111	117	55	1,2
		SCB342C020/022	86	56	33	30	64	50	66	24	84	167	166	51	1,7

2 mounting holes:

① Ø M4, depth 6 mm

⁽²⁾ including coil and connector.

All leaflets are available on: www.asco.com