

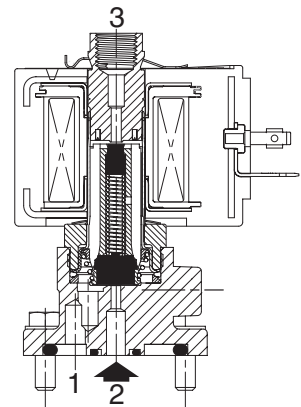
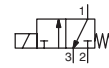
ASCO™ Solenoid Valves

Pad Mounting Body

Direct Operated, For Subbase 1/4" or 1/2"

3/2 NC
Series
314

- Pad-mount version for valve piloting applications
- RoHS compliance
- AC/DC interchangeability
- Flexible installation on joinable subbases
- Valves do not require a minimum operating pressure
- Large selection of seal materials providing wide chemical compatibility
- Compliance with UL and CSA standards
- The solenoid valves satisfy all relevant EU directives



General

Differential pressure See «SPECIFICATIONS» [1 bar = 100 kPa]

Maximum viscosity 65 cSt (mm²/s)

Response time 5 - 25 ms

fluids (*)	temperature range (TS)	seal materials (*)
air, inert gas, water, oil	-25°C to +80°C	NBR (nitrile)

Materials in contact with fluid

(*) Ensure that the compatibility of the fluids in contact with the materials is verified

Body	Brass
Shading coil	Copper
Core tube	Stainless steel
Core and plugnut	Stainless steel
Springs	Stainless steel
Seals	NBR
Disc	NBR
Upper disc	FPM
Core guide	POM

Electrical characteristics

Coil insulation class	F
Connector	Spade plug (cable Ø 6-10 mm)
Connector specification	ISO 4400 / EN 175301-803, form A
Electrical safety	IEC 335
Electrical enclosure protection	Moulded IP65 (EN 60529)
Standard voltages	DC (=) : 24V - 48V
(Other voltages and 60 Hz on request)	AC (-) : 24V - 48V - 115V - 230V/50 Hz

operator ambient temperature range (TS)	power ratings			replacement coil ⁽¹⁾	
	inrush ~	holding ~	hot/cold =	~	=
(°C)	(VA)	(VA)	(W)	230 V/50 Hz	24 V DC
-25 to +55	50	25	10,1	238613-059	238713-006

⁽¹⁾ All 238 basic numbers are UL & CSA approved and marked with the UR (recognised component) & CSA logos.

Options

- **Seals and disc (*)** - FPM (fluoroelastomer):
(fluid temperature range) ⁽²⁾ -15°C to +120°C (AC)
-15°C to +90°C (DC)
- Oxygen service, FPM disc and seals, see "15-DIGIT PRODUCT CODE"
- Connector with visual indication and peak voltage suppression or with cable length of 2 m
- Explosionproof enclosures for use in zones 1/21-2/22, categories 2-3 to ATEX Directive 2014/34/EU (See page: 35)

(*) Ensure that the compatibility of the fluids in contact with the materials is verified.

⁽²⁾ The minimum ambient temperature of the solenoid valve is determined by the limitations of minimum temperature indicated.

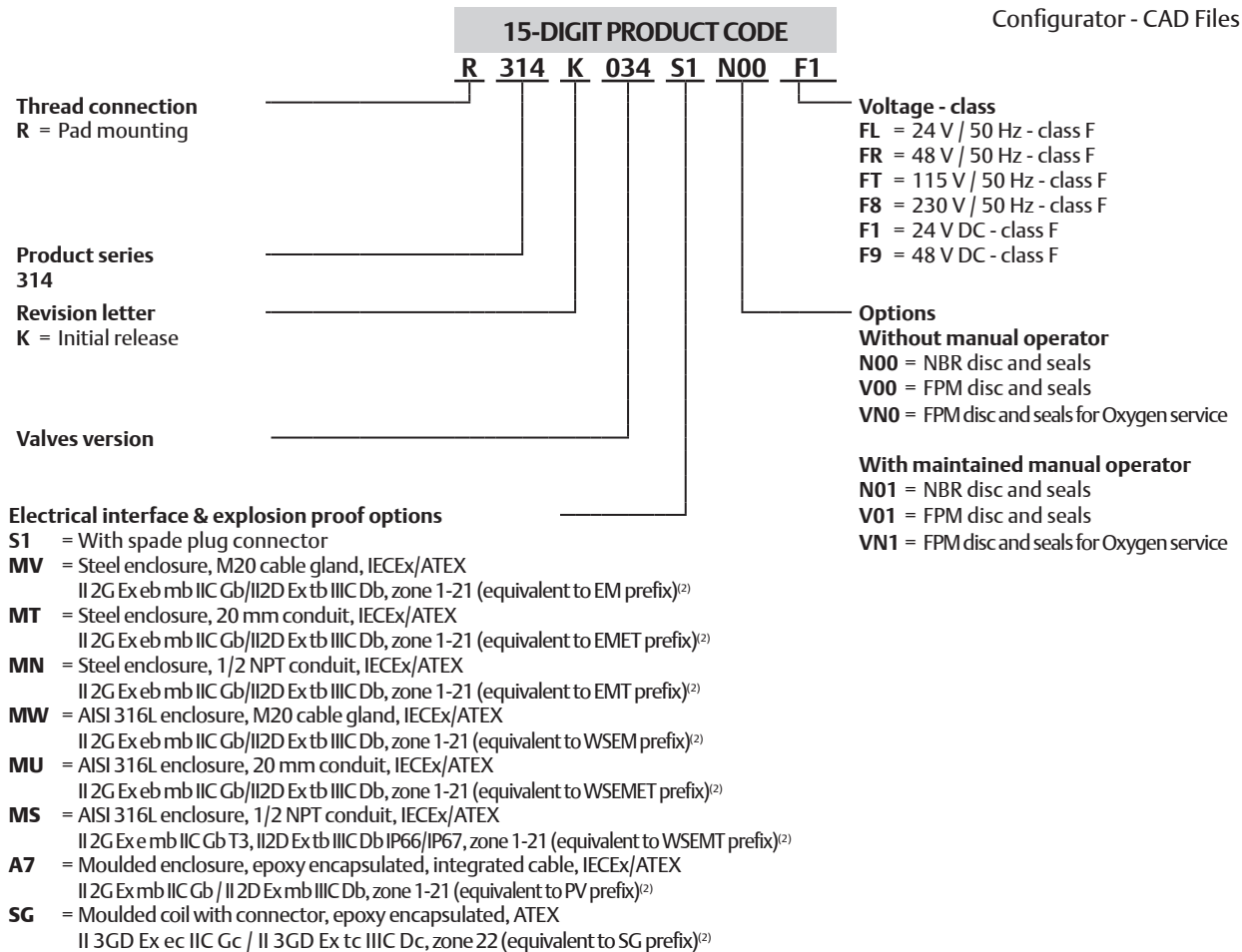
01480CB-2019/R02 Availability, design and specifications are subject to change without notice. All rights reserved.

Specifications

														15-DIGIT PRODUCT CODE								
pipe size	orifice size	flow coefficient Kv					operating pressure differential (bar)						power coil (W)		dimensions / type ⁽¹⁾	brass						
		2 → 1		1 → 3			max. (PS)									voltage code						
		(mm)	(m³/h)	(l/min)	(m³/h)	(l/min)	min.	air (*)		water (*)		oil (*)				24 V/50 Hz	48 V/50 Hz	115 V/50 Hz	230 V/50 Hz	24 V/DC	48 V/DC	
~	=	~	=	~	=	~	=	~	=	~	=	~	=	~	=	~	=					
Without manual operator																						
NC - Normally closed, NBR seal and disc																						
pad mounting	1,2	0,04	0,7	0,05	0,8	0	20	17	20	17	20	17	10,1	11,6	01	R314K034S1N00	FL	FR	FT	F8	F1	F9
	2,4	0,13	2,2	0,17	2,8	0	14	10	14	8	13	6	10,1	11,6	01	R314K035S1N00						
	3,2	0,22	3,7	0,17	2,8	0	10	6	10	6	6,5	4,5	10,1	11,6	01	R314K036S1N00						
	4	0,43	7,1	0,17	2,8	0	5	3	5	3	5	3	10,1	11,6	01	R314K130S1N00						
	5,6	0,60	10	0,17	2,8	0	2,5	1,7	2,5	1,7	2,5	1,7	10,1	11,6	01	R314K131S1N00						
	7,1	0,73	12,1	0,17	2,8	0	1,7	1	1,7	1	1,7	1	10,1	11,6	01	R314K132S1N00						
With maintained manual operator																						
NC - Normally closed, NBR seal and disc																						
pad mounting	1,2	0,04	0,7	0,05	0,8	0	20	17	20	17	20	17	10,1	11,6	01	R314K034S1N01	FL	FR	FT	F8	F1	F9
	2,4	0,13	2,2	0,17	2,8	0	14	10	14	8	13	6	10,1	11,6	01	R314K035S1N01						
	3,2	0,22	3,7	0,17	2,8	0	10	6	10	6	6,5	4,5	10,1	11,6	01	R314K036S1N01						
	4	0,43	7,1	0,17	2,8	0	5	3	5	3	5	3	10,1	11,6	01	R314K130S1N01						
	5,6	0,60	10	0,17	2,8	0	2,5	1,7	2,5	1,7	2,5	1,7	10,1	11,6	01	R314K131S1N01						
	7,1	0,73	12,1	0,17	2,8	0	1,7	1	1,7	1	1,7	1	10,1	11,6	01	R314K132S1N01						

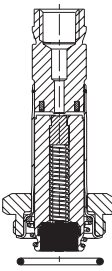
⁽¹⁾ For dimensions, see drawing(s) for each construction type on the following page(s).

(*) Ensure that the compatibility of the fluids in contact with the materials is verified.



⁽²⁾ Search prefix in Emerson.com/asco to get detailed technical information.
Please note that the valve pressure ratings with some of the ATEX enclosures will be reduced.
To obtain the correct pressure rating please check the landing pages of the "3-Way Solenoid Valve DIN Configurator".

01480GB-2019/R02
Availability, design and specifications are subject to change without notice. All rights reserved.

		Spare parts kits no. (*)							
		AC (-)				DC (=)			
			NBR	FPM	FPM (oxygen)		NBR	FPM	FPM (oxygen)
	R314K034	M200070	N00	V00	VN0	M200066	N00	V00	VN0
	R314K035/036	M200071	N00	V00	VN0	M200067	N00	V00	VN0
	R314K130/131/132	M200071	N00	V00	VN0	M200067	N00	V00	VN0

(*) Ensure that the compatibility of the fluids in contact with the materials is verified.

Installation

- The solenoid valves can be mounted in any position without affecting operation
- Mounting on single or joinable subbase or on supply rail, four mounting holes
- ATEX 2014/34/EU versions can be installed on single or joinable brass subbases
- 1/4 and 1/2 subbases pipe connections (G*) have standard combination thread according to ISO 228/1 and ISO 7/1
- Installation/maintenance instructions are included with each valve

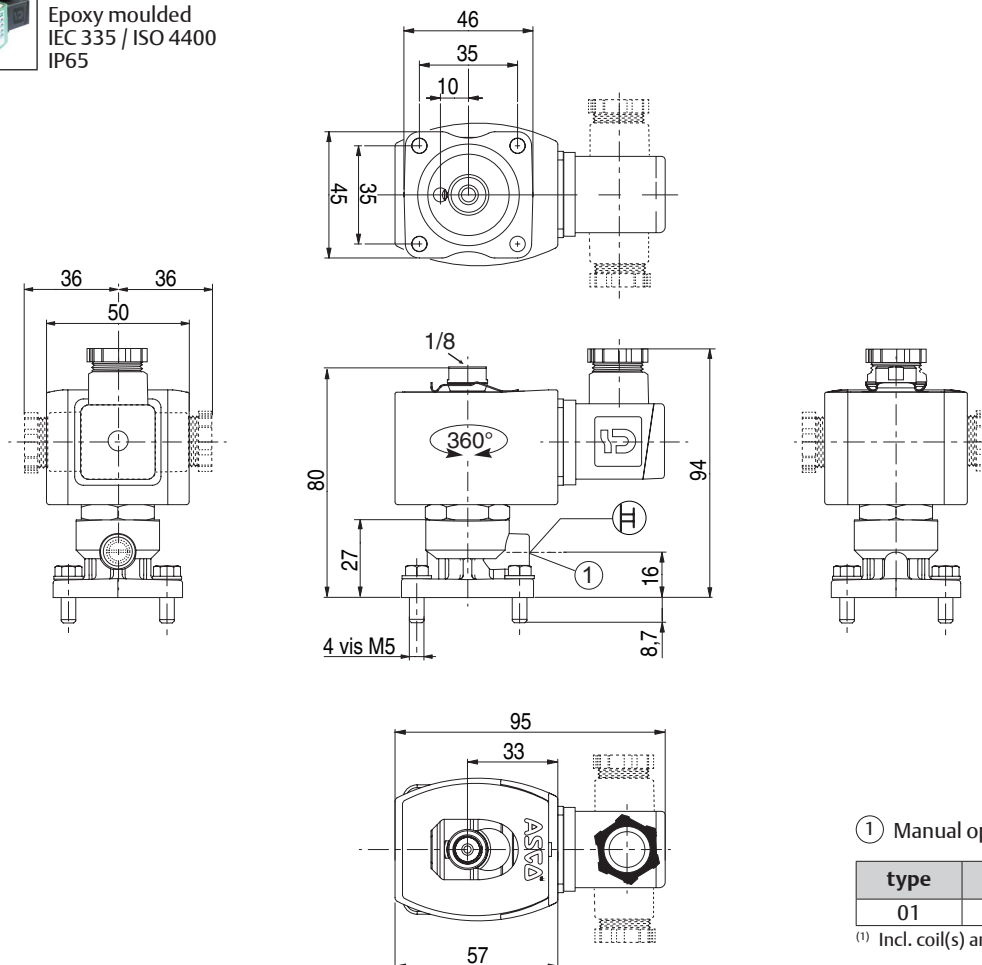
Dimensions (mm), Weight (kg)



Configurator - CAD Files



TYPE 01
Electrical interface "S1"
Epoxy moulded
IEC 335 / ISO 4400
IP65

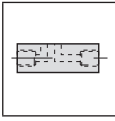


① Manual operator location

type	weight ⁽¹⁾
01	0,56

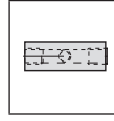
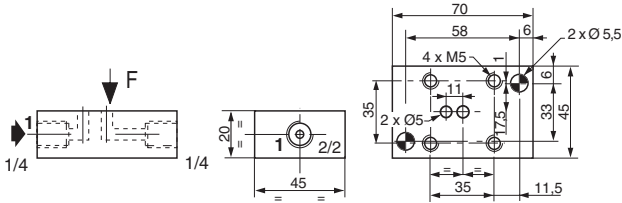
⁽¹⁾ Incl. coil(s) and connector(s).

Dimensions (mm), Weight (kg)



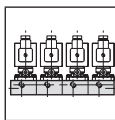
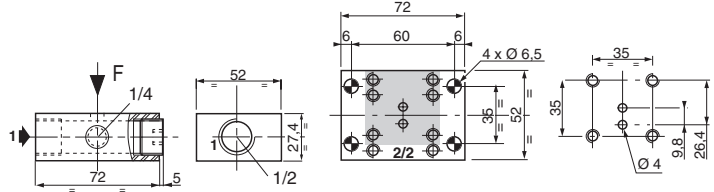
TYPE 02
Single brass subbase
Catalogue number: **36101001**
weight: 0,453

View F

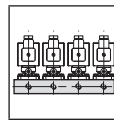


TYPE 03
Single aluminium subbase
Catalogue number: **36101029**
weight: 0,228

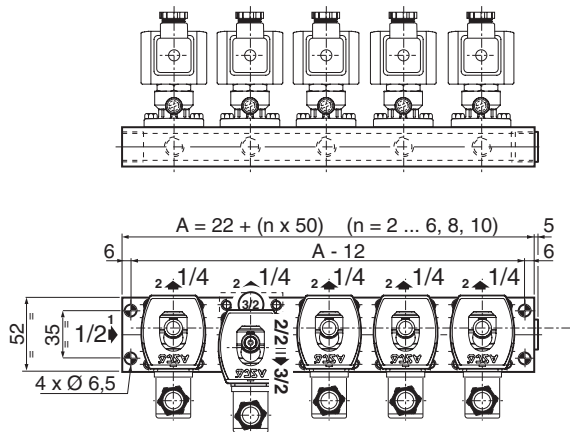
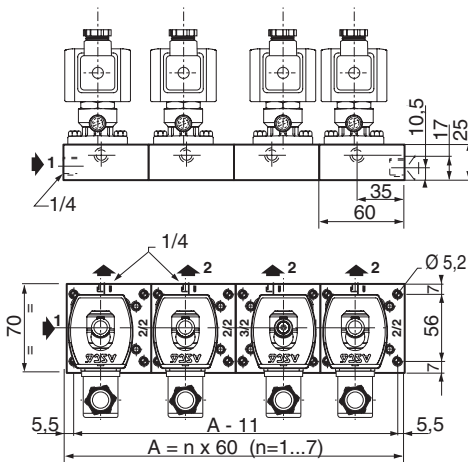
View F



TYPE 04
Joinable brass subbases
Catalogue number: **36101027 (unit)**
NC/NO 2/2-way can be combined with 3/2-way



TYPE 05
Aluminium supply rails
Catalogue number: **36101030..1036**
NC/NO 2/2-way can be combined with 3/2-way



type	weight									
	number of valves									
	2	3	4	5	6	7	8	9	10	
joinable brass subbase	1,49	2,25	3,02	3,78	4,54	5,31	-	-	-	
joinable aluminium subbase	0,38	0,53	0,68	0,83	0,98	-	1,29	-	1,59	