

FEATURES

- Spool valve protected against food and beverage environment thanks to stainless steel screws
- The valves offer environmental protection against the ingress of liquids, dusts or other foreign matter (environmentally protected construction)
- A reliable actuator pilot with the holes facing downwards and a moisture resistance

GENERAL

Fluids	Air or neutral gas, filtered, lubricated or not
Operating pressure	2 to 10 bar
Ambient temperature	-25°C to +60°C
Flow (Qv to 6 bar)	860 l/min (ANR) - Kv : 12,5

CONSTRUCTION

SPOOL VALVE

Body	Aluminium, black anodized
Internal parts	Zinc diecast, stainless steel, POM (polyacetal), aluminium
Seals	NBR (nitrile) and PUR (polyurethane)
Screws	Stainless steel 316L

PILOT VALVE

Seals	NBR (nitrile) and PUR (polyurethane)
Electrical safety	IEC 335
Coil and magnetic circuit	Encapsulated monobloc design
Exhaust	Tapped M5 exhaust port, equipped with exhaust protection



ELECTRICAL CHARACTERISTICS

voltage	consumption		insulation class	protection degree	electrical connection
	inrush	holding			
~ 24V - 48V - 115V - 230V / 50Hz	6 VA	3,5 VA (2,5 W)	F	IP 65	spade plug connector size 22 EN 175301-803, industry standard form B (11 mm) with cable length of 2m
= 24V - 48V	2,5 W				

SPECIFICATIONS

symbol	operators	catalogue number	(M)
	solenoid air pilot (14) return (12)	with connector	
	spring	SCG551A091MS	●
	solenoid air	SCG551A093MS	●

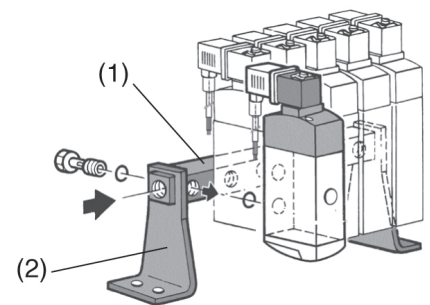
(M) Type of manual operator on pilot(s): ● : maintained

ACCESSORIES

- [Supply rails](#)

	supply rail supplied with seals and banjo bolts (without mounting brackets) (1)	supply rail with isolation valves - allows isolation of one or more spool valves from the main pressure supply
supply rail for «n» valves	G 1/4	G 1/4
2	88100034	88100915
3	88100035	88100916
4	88100036	88100917
5	88100037	88100918
6	88100038	88100919
7	88100039	88100920
8	88100040	88100921

- Set of 2 mounting brackets (2) for supply rail - catalogue number : **88100049**



(1) supply rail
(2) mounting brackets (x2)

All leaflets are available on: www.asco.com

00550GB-2016/R02 Availability, design and specifications are subject to change without notice. All rights reserved.

OPTIONS

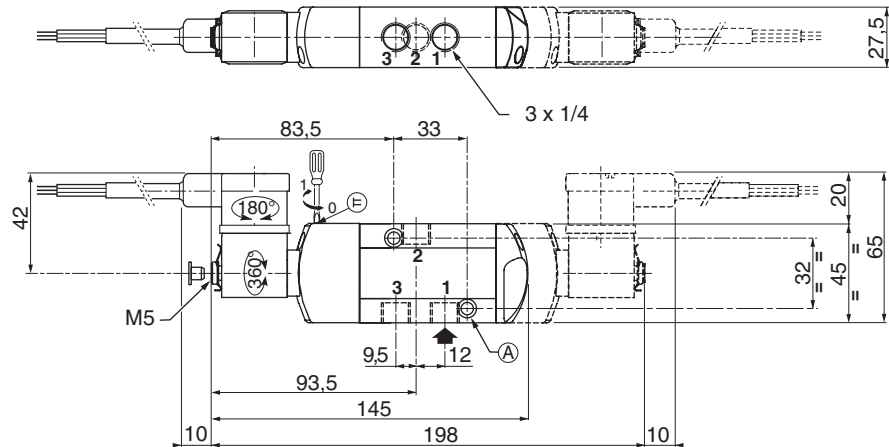
- Other voltages and 60 Hz on request
- Spade connector size 22, IP67 with integrated visual LED and varistor protection with PVC 0,75mm² cable length of 2 m : **88100937**
- Solenoid valve with connector equipped [with visual indicator and built-in electrical protection](#):

catalogue number of spool valve without connector + catalogue number of connector with visual indicator and built-in electrical protection (~ / =)

24V	48V	115V	230V
88122405	88122406	88122407	88122410

DIMENSIONS (mm), WEIGHT (kg)

Weight: Spool valve + 1 pilot = 0,33 kg
 Spool valve + 2 pilots = 0,47 kg

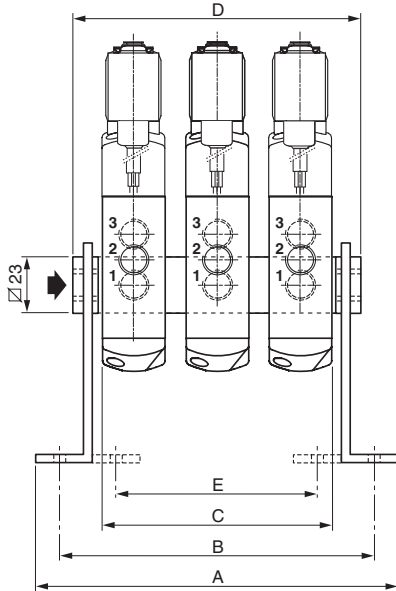


3/2 NC connection
 1 = Pressure
 2 = Outlet
 3 = Exhaust
 10 = Return
 12 = Pilot

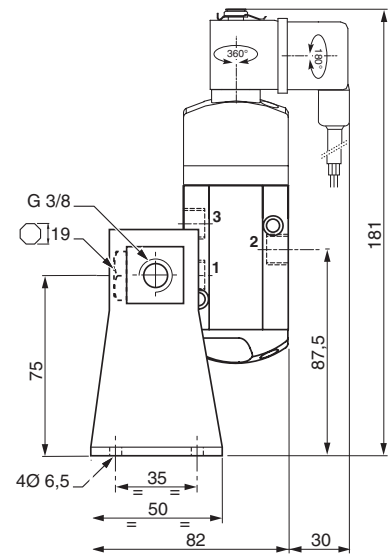
2 mounting holes:

Ⓐ 5,3 mm dia. (Spotfacing: 9 mm dia., depth 5 mm)

ASSEMBLY WITH COMMON SUPPLY RAIL



series 551	number of valves							
	2	3	4	5	6	7	8	
A	108	136	164	192	220	248	276	
B	92	120	148	176	204	232	260	
C	55	83	111	139	167	195	223	
D	78	106	134	162	190	218	246	
E	42	70	98	126	154	182	210	
type	weight (kg)							
with 1 pilot	1,0	1,4	1,8	2,1	2,5	3,0	3,4	
with 2 pilots	1,3	1,8	2,2	2,7	3,2	3,7	4,2	



This mounting arrangement allows valves to be mounted in any of 4 positions

